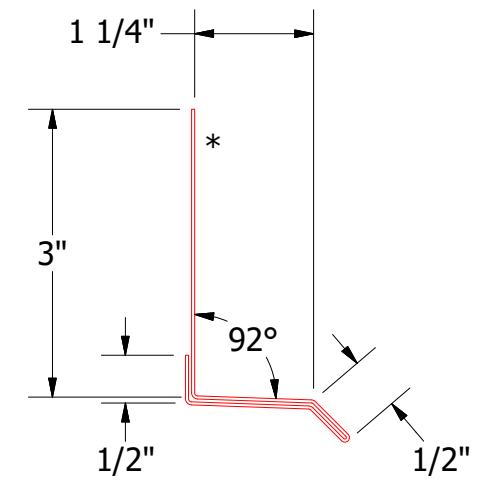
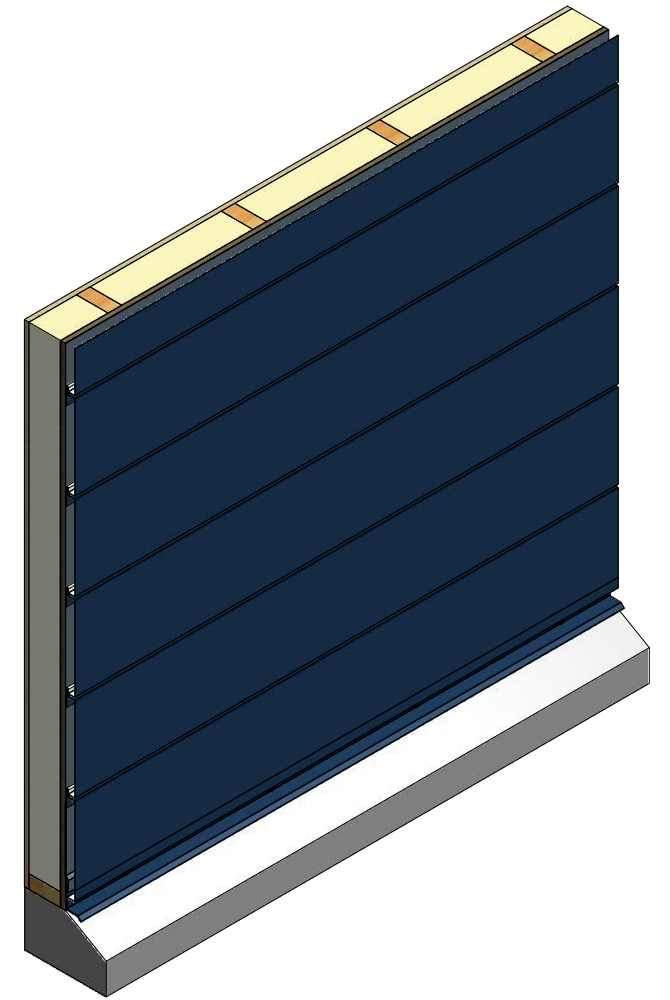
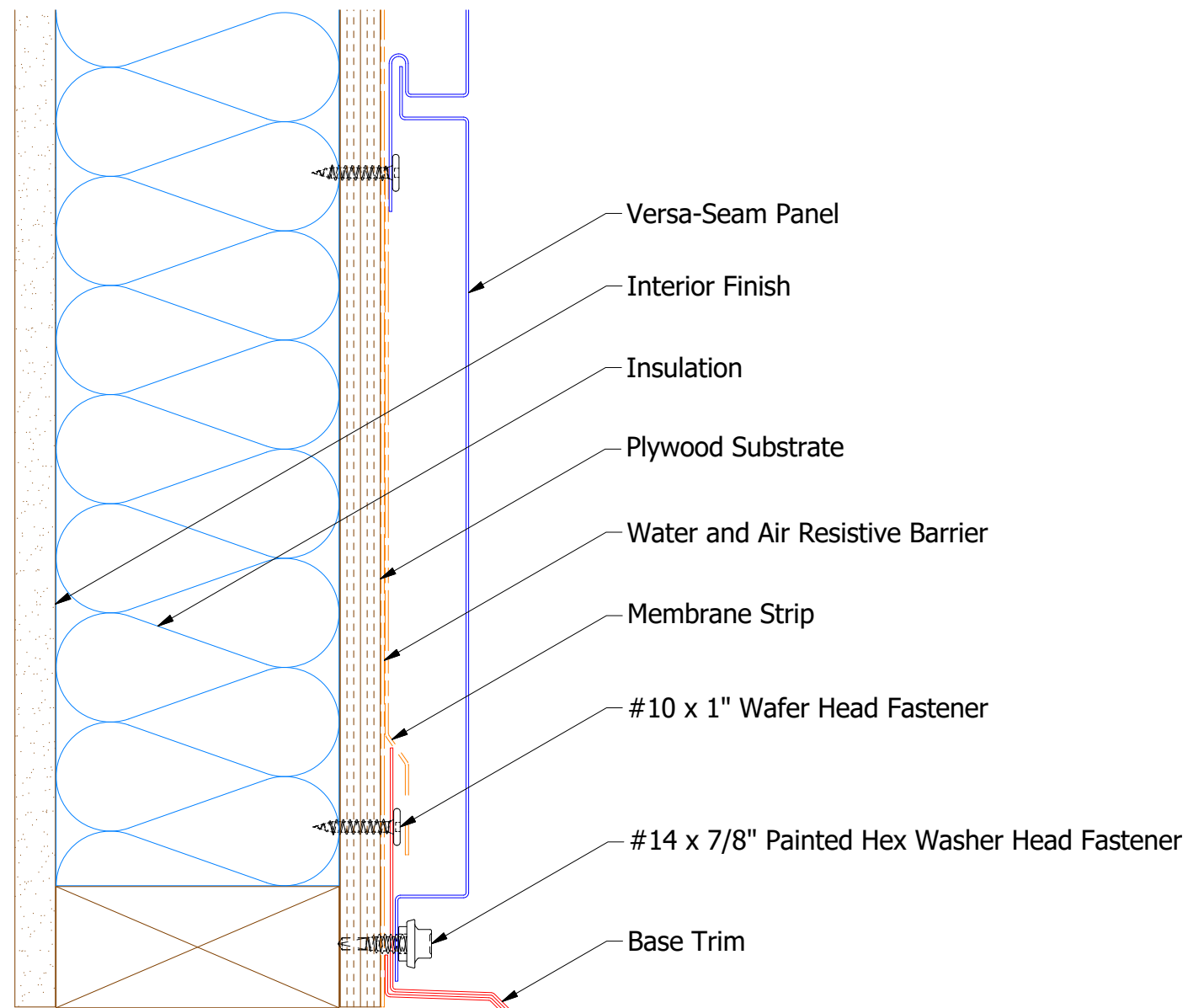


# Horizontal Panel



VSA661-Base Trim Standard



ATAS INTERNATIONAL, INC  
 Allentown PA  
 610-395-8445  
 Mesa AZ  
 480-558-7210

TITLE		Versa-Seam Base Detail	
DWG. NO.	DR	KRK	DATE 1/20/2016
MATERIAL	APP	DAS	DATE 7/29/16
REV. NO.	DATE	DESCRIPTION OF REVISION	BY APP
			SH. SIZE B SCALE X:X

REV. NO.	DATE	DESCRIPTION OF REVISION	BY	APP