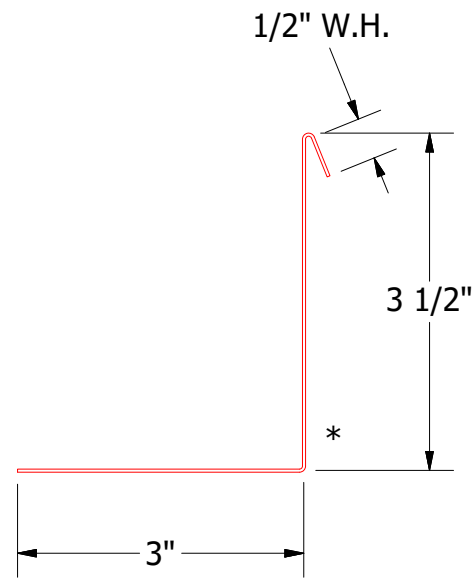
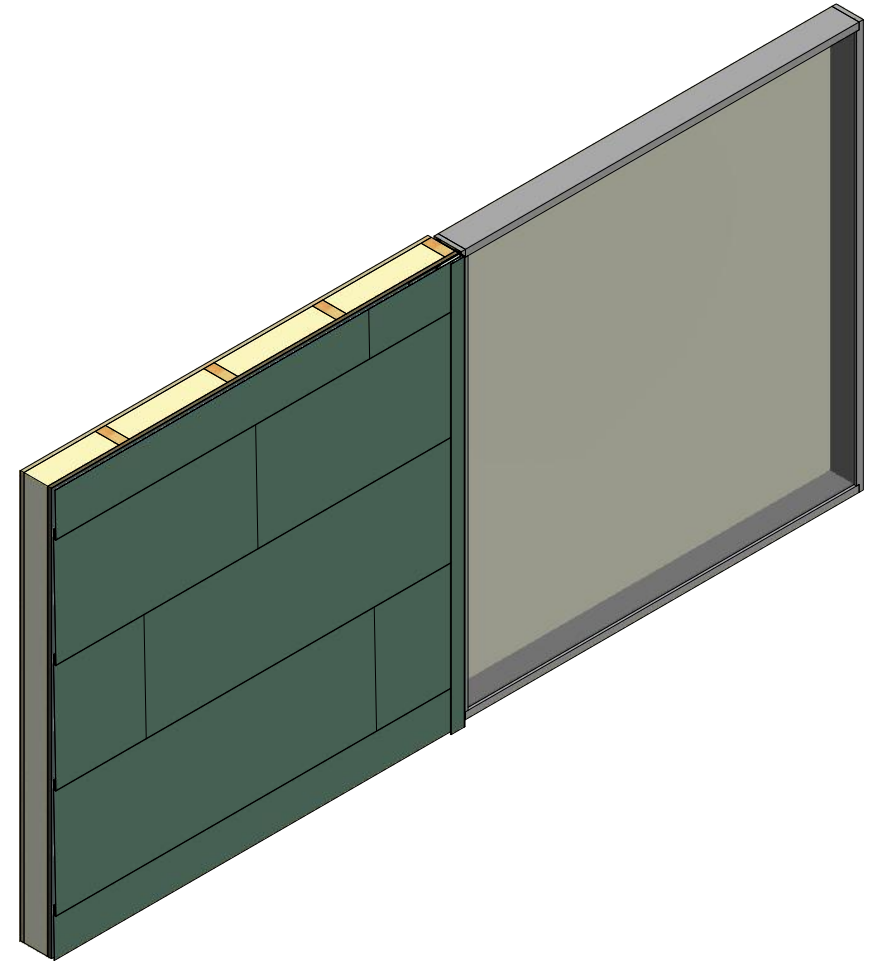
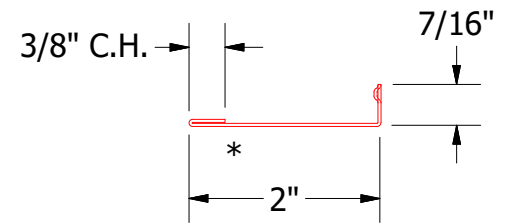


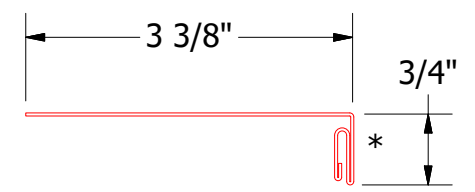
- Window
- Angle Trim with Return
- Insulation
- Backer Rod and Sealant
- Butyl Tape
- #10 x 1" Wafer Head Screw
- Snap J Channel
- Water and Air Resistive Barrier
- Membrane Strip over Snap J Channel
- 1/2" Plywood (min.)
- Versa-Lok Panel
- Versa-Lok Clip
- Interior Finish



VLA683 - Angle Trim with Return



UNS200 - Snap J Cover



VLA039 - Snap J Base

Note: * denotes color side.

REV. NO.	DATE	DESCRIPTION OF REVISION	BY	APP	TITLE	DR	DATE
1	11/17/2020	Updated Snap J Cover SKU and Dimension from 13/16" to 2"	DMR		Versa-Lok Jamb Detail	KRK	2/10/2016
						DAS	8/8/16
					MATERIAL	SH. SIZE	SCALE
						B	X:X


ATAS INTERNATIONAL, INC
 Allentown PA
 610-395-8445
 Mesa AZ
 480-558-7210