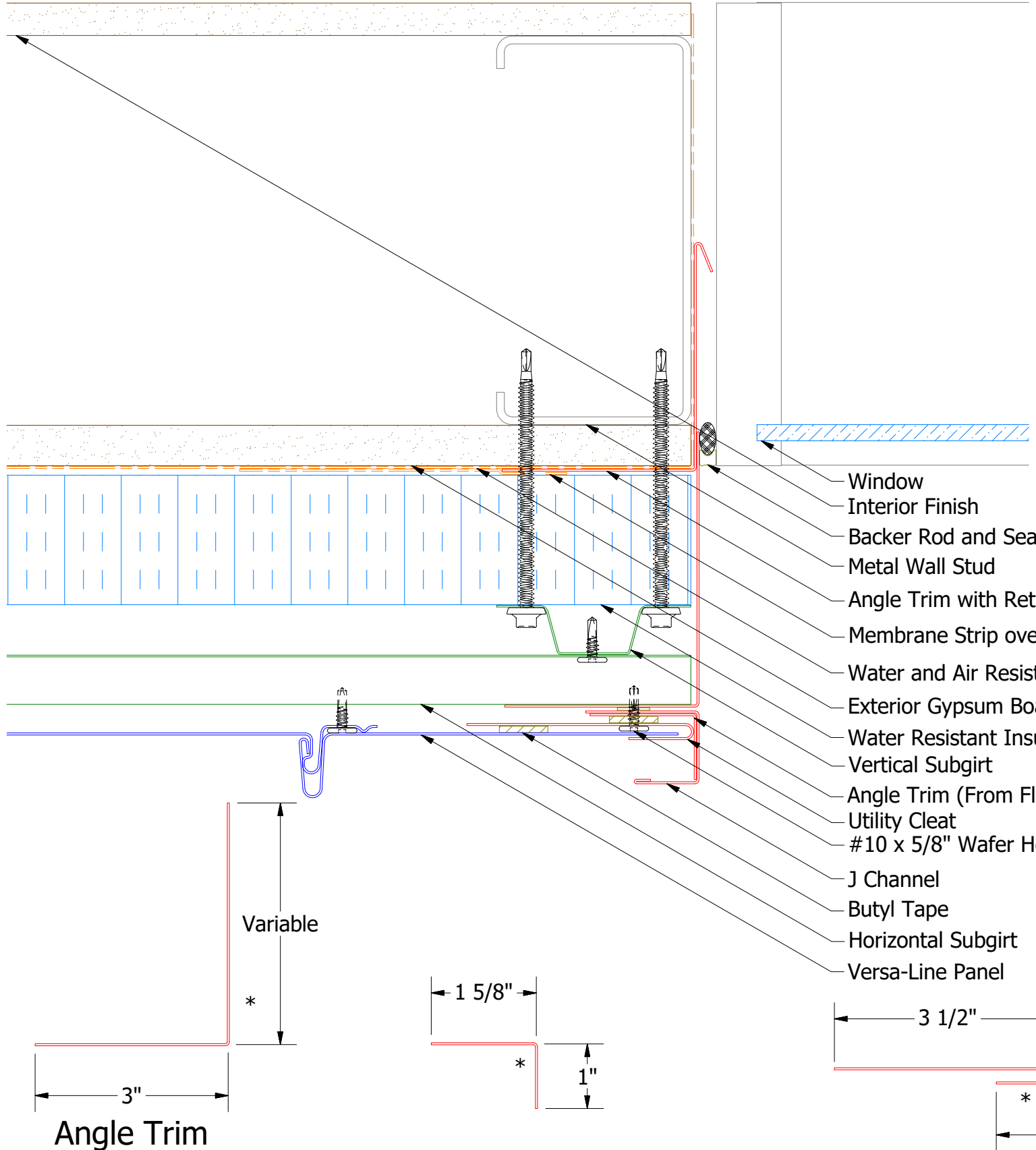
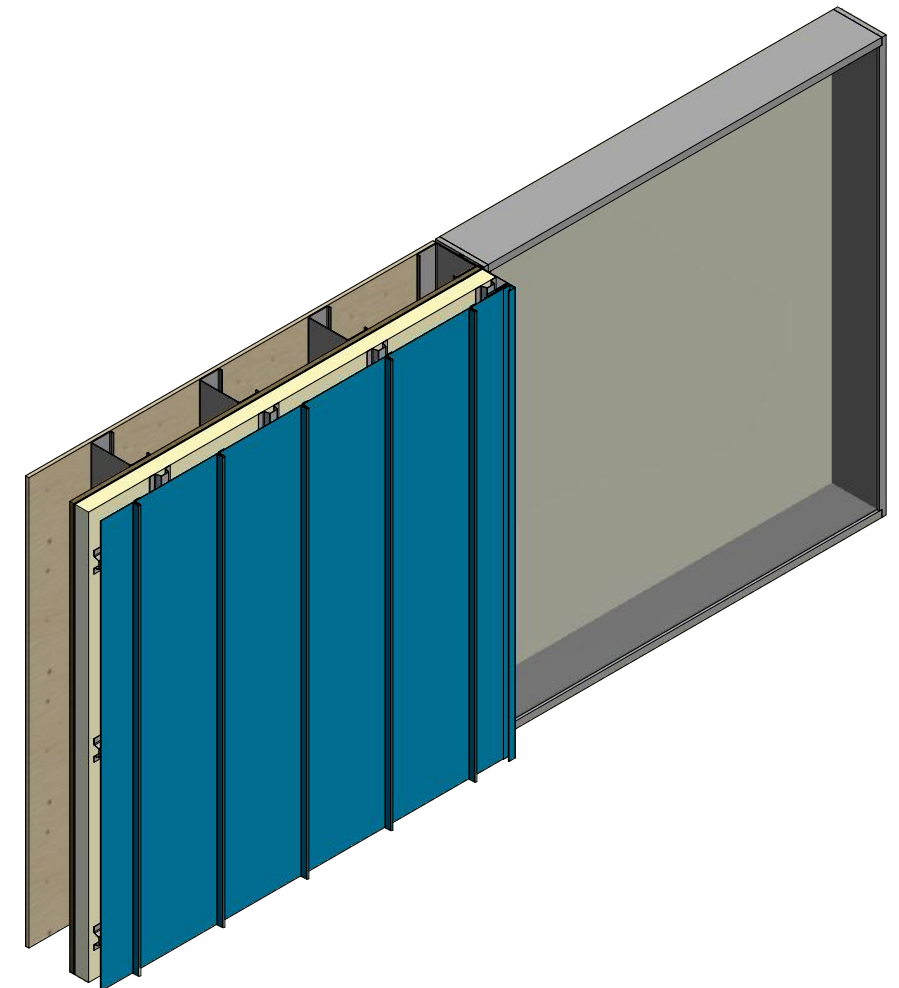
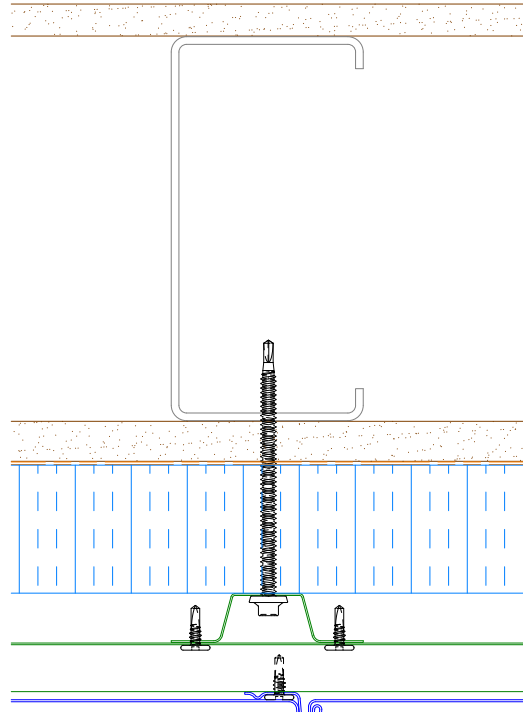


Vertical Panel



Alternate Subgirt Orientation (NTS)



Angle Trim

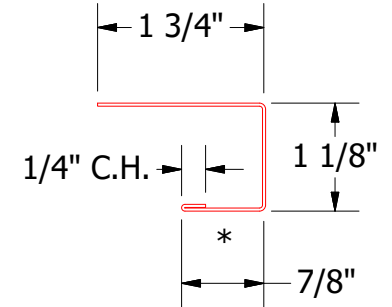
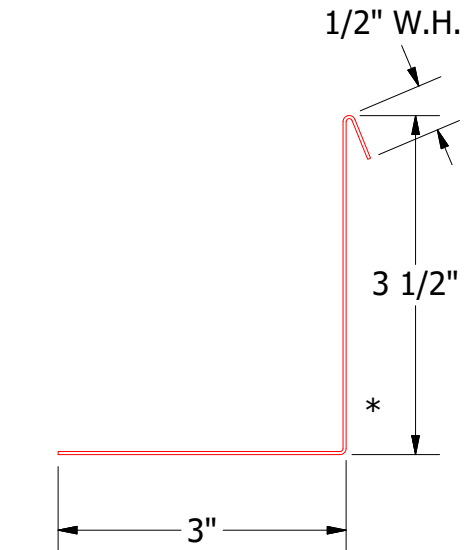
VSA680-Angle Trim

VSA962-Utility Cleat without Return

VSA683-Angle Trim with Return

VSA118-J Channel

Note: * denotes color side.



| REV. NO. | DATE | DESCRIPTION OF REVISION | BY | APP |
|----------|------|-------------------------|----|-----|
| | | | | |
| | | | | |

| | | | | | |
|----------|---|-------|-----|-----------------------------|-----------|
| TITLE | | | | Versa-Line Open Jamb Detail | |
| DWG. NO. | | DR | DMR | DATE | 1/25/2017 |
| MATERIAL | | APP | | DATE | |
| SH. SIZE | B | SCALE | X:X | | |

ATAS INTERNATIONAL, INC
 Allentown PA
 610-395-8445
 Mesa AZ
 480-558-7210