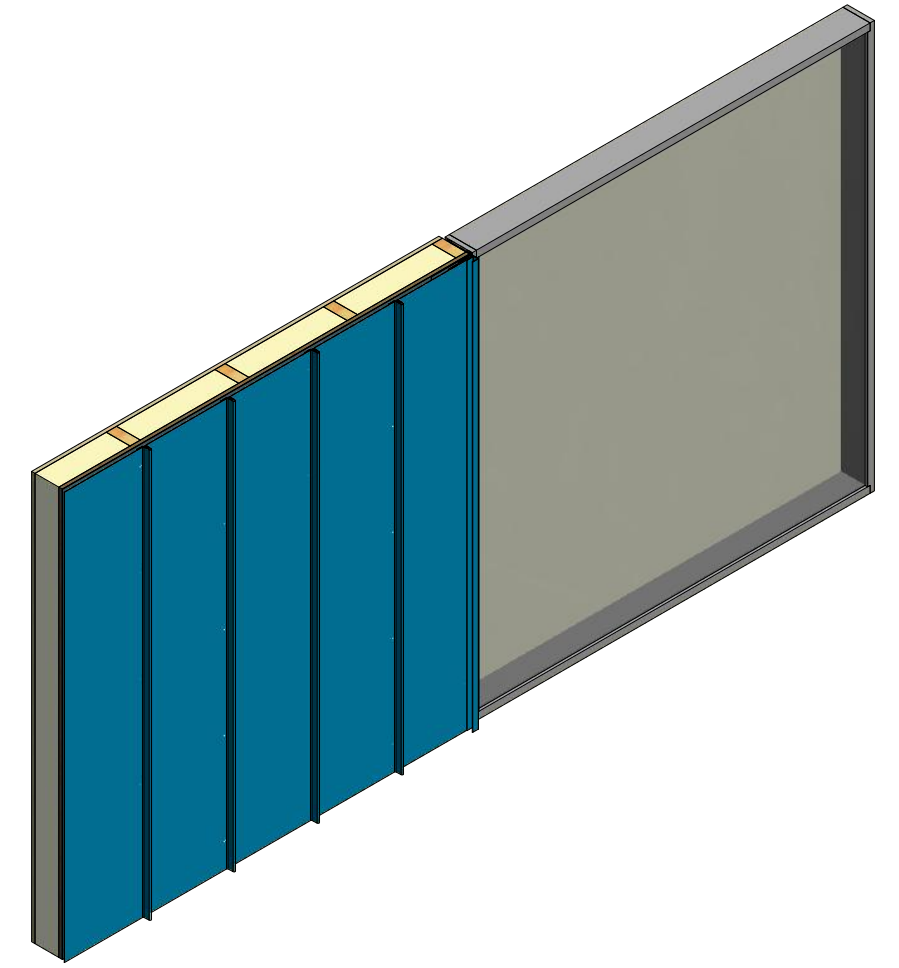
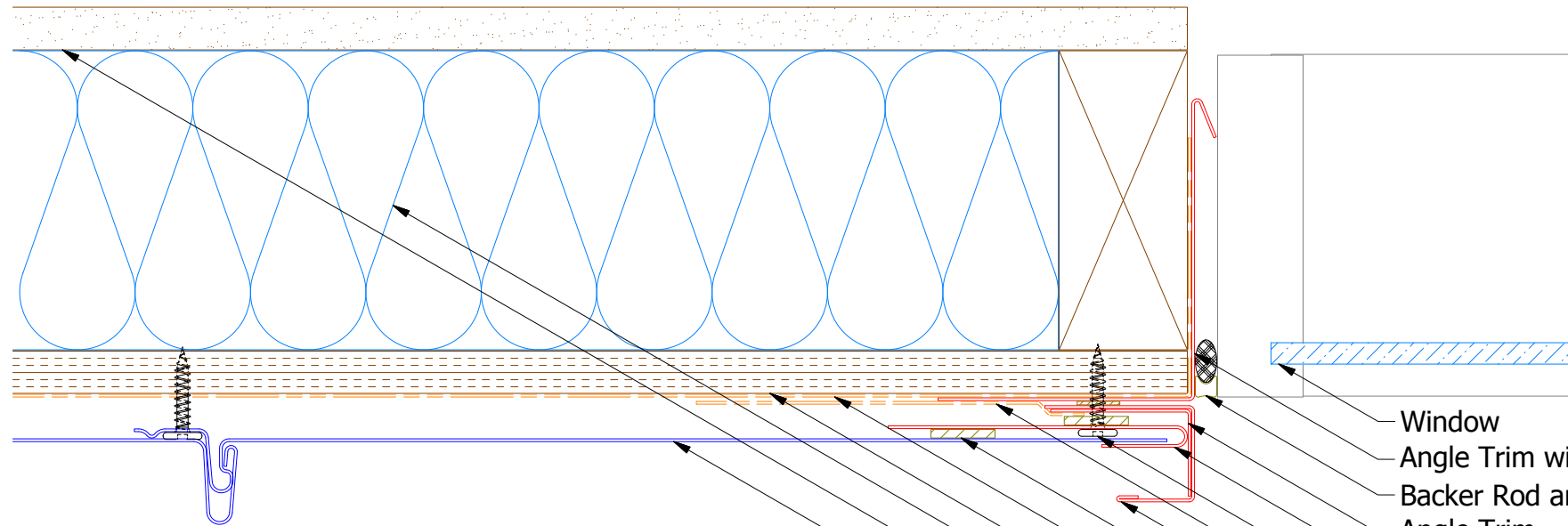
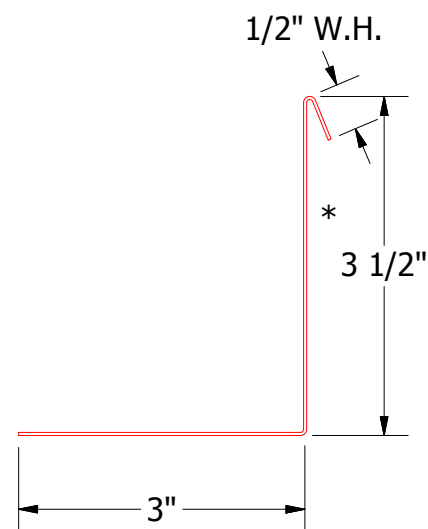


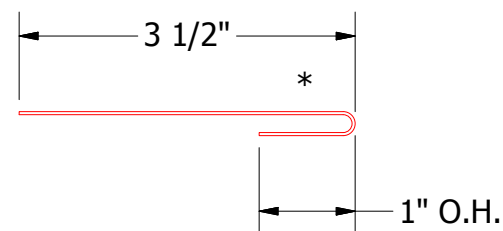
# Vertical Panel



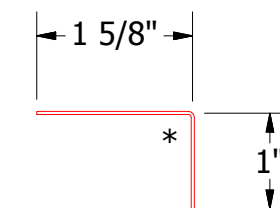
- Window
- Angle Trim with Return
- Backer Rod and Sealant
- Angle Trim
- Utility Cleat without Return
- #10 x 1" Wafer Head Screw
- Membrane Strip over J Channel and Angle Trim
- J Channel
- Butyl Tape
- Water and Air Resistive Barrier
- 1/2" Plywood (min.)
- Insulation
- Interior Finish
- Versa-Line Panel



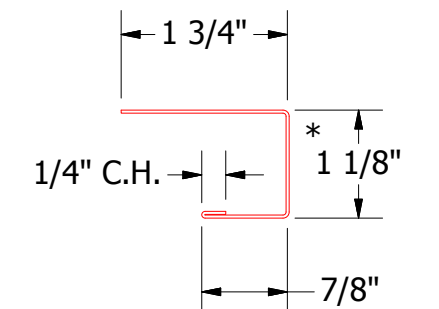
VSA683 - Angle Trim with Return



VSA962 - Utility Cleat without Return



VSA680 - Angle Trim



VSA118 - J Channel

REV. NO.	DATE	DESCRIPTION OF REVISION	BY	APP	TITLE	DR	DMR	DATE
					Versa-Line Jamb Detail			11/29/2016
						APP		DATE
						SH. SIZE	B	SCALE
								X:X


**ATAS INTERNATIONAL, INC**  
 Allentown PA  
 610-395-8445  
 Mesa AZ  
 480-558-7210