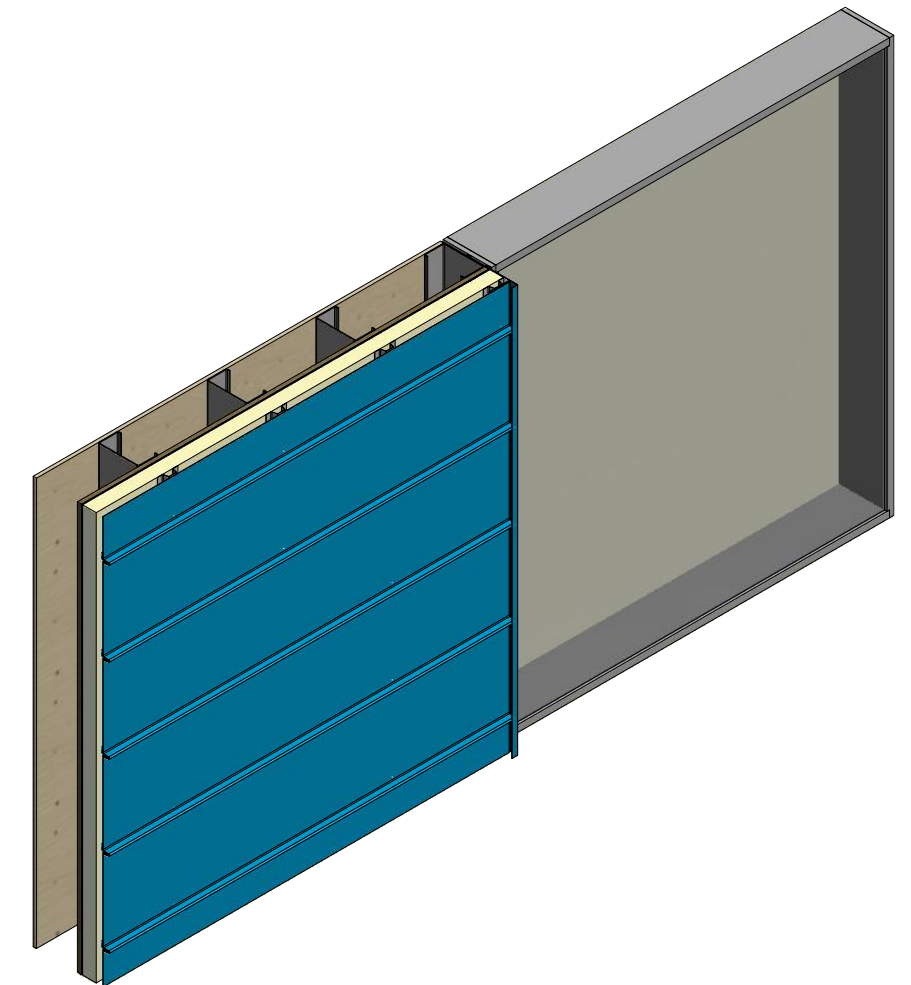
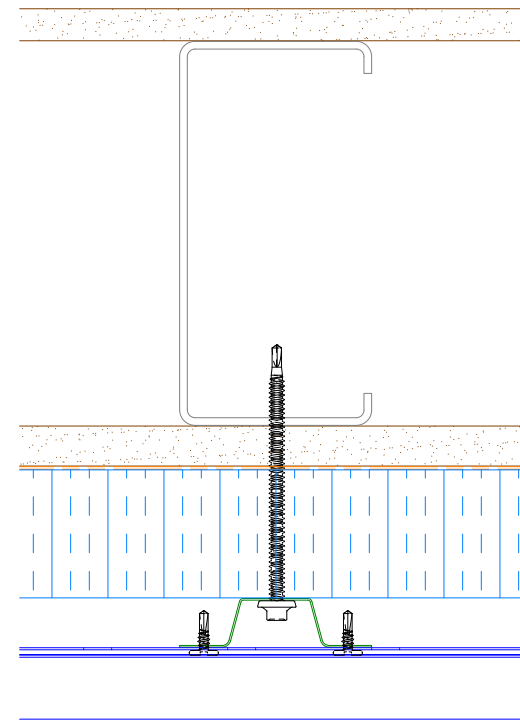
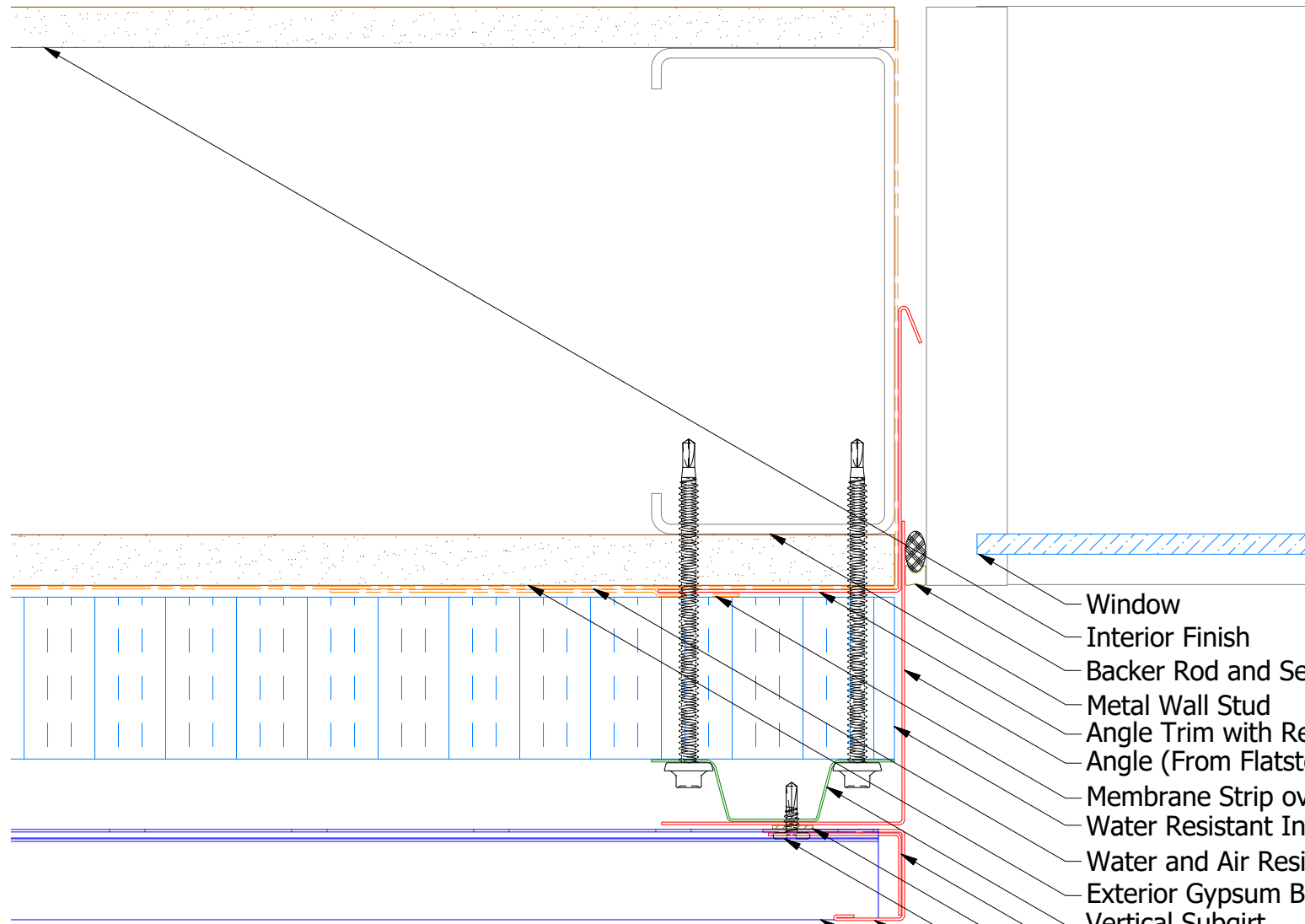
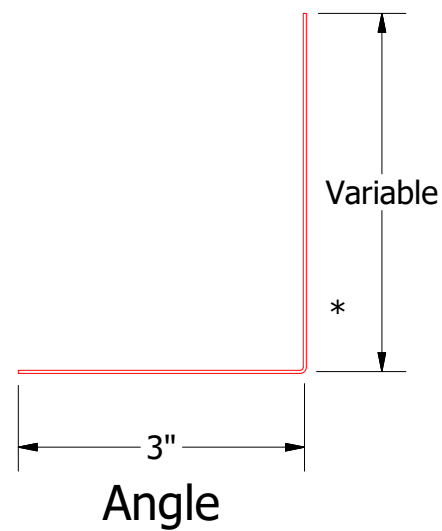


Horizontal Panel

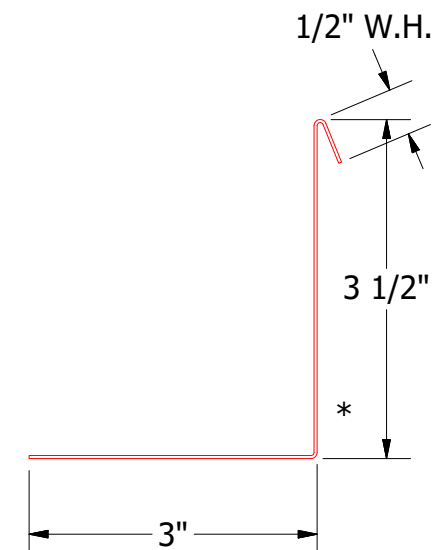
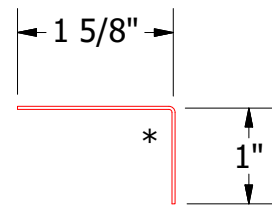


Alternate Subgirt Orientation (NTS)

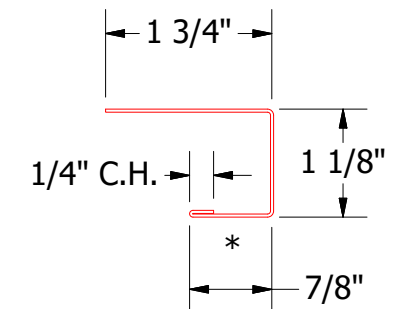
- Window
- Interior Finish
- Backer Rod and Sealant
- Metal Wall Stud
- Angle Trim with Return
- Angle (From Flatstock)
- Membrane Strip over Angle Trim with Return
- Water Resistant Insulation
- Water and Air Resistive Barrier
- Exterior Gypsum Board
- Vertical Subgirt
- Angle Trim
- Butyl Tape
- #10 x 5/8" Wafer Head Fastener
- J Channel
- Versa-Line Panel



VSA680-Angle Trim



VSA683-Angle Trim with Return



VSA118-J Channel

Note: * denotes color side.

REV. NO.	DATE	DESCRIPTION OF REVISION	BY	APP	TITLE	DR	DATE
					Versa-Line Open Jamb Detail	DMR	1/25/2017
						APP	DATE
						SH. SIZE	SCALE
						B	X:X

ATAS ATAS INTERNATIONAL, INC
 Allentown PA
 610-395-8445
 Mesa AZ
 480-558-7210