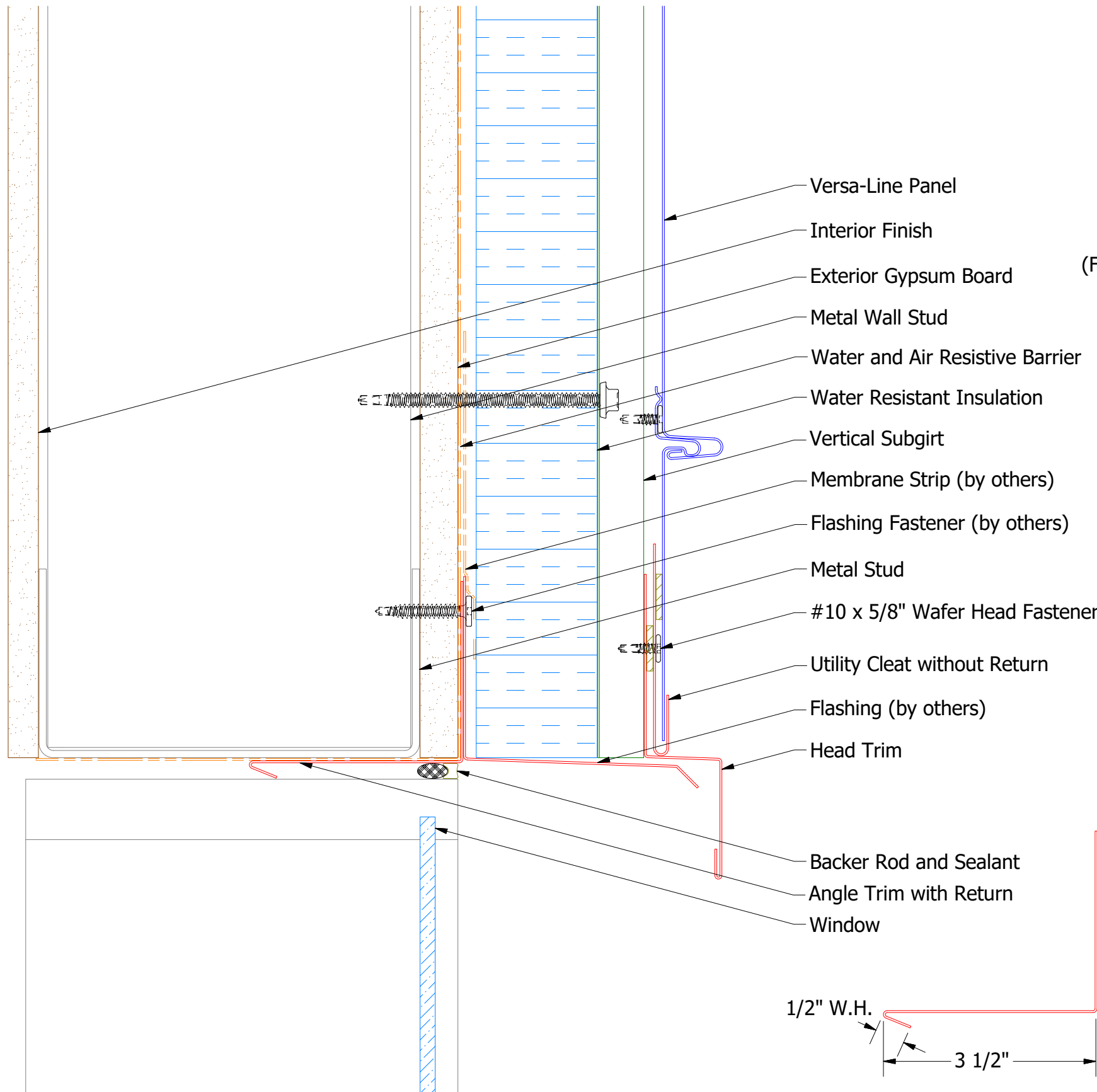
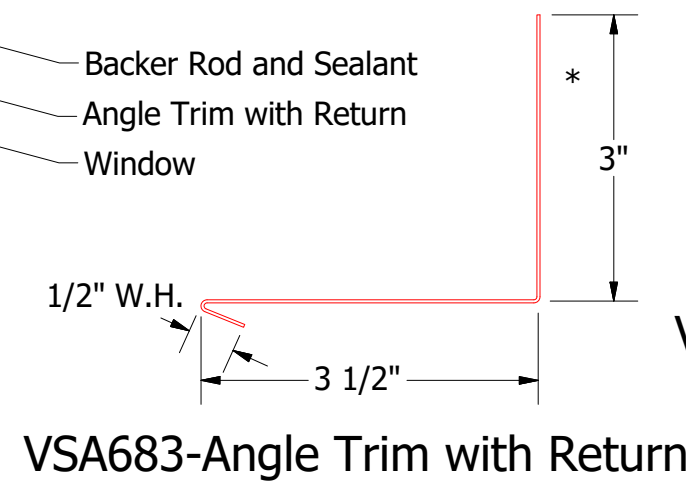
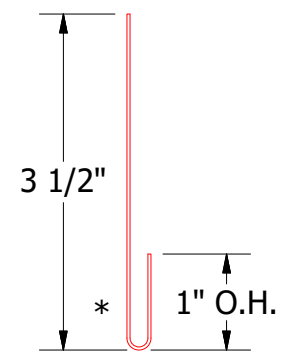
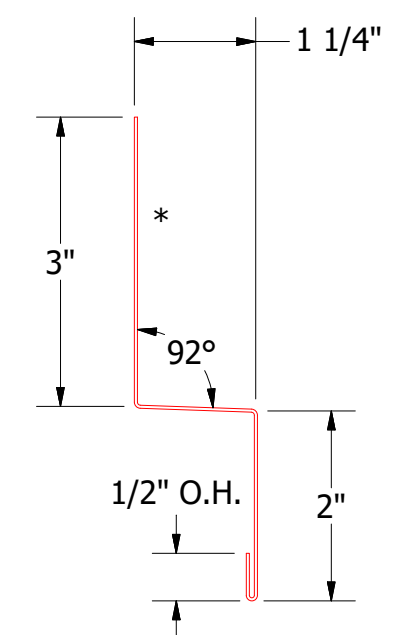
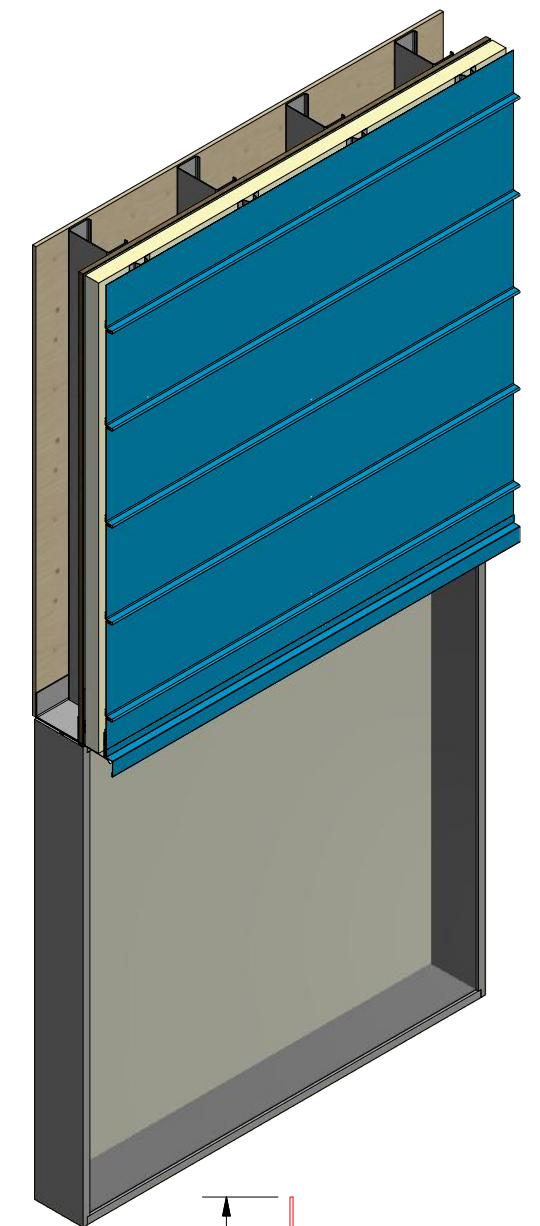
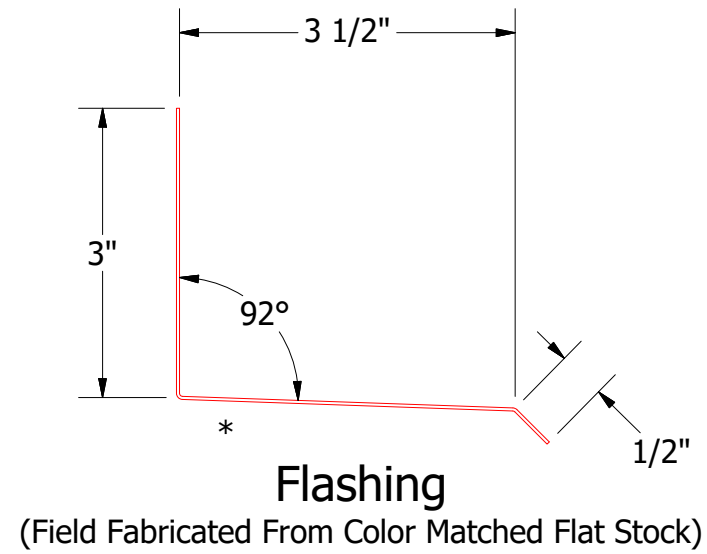


Horizontal Panel



- Versa-Line Panel
- Interior Finish
- Exterior Gypsum Board
- Metal Wall Stud
- Water and Air Resistive Barrier
- Water Resistant Insulation
- Vertical Subgirt
- Membrane Strip (by others)
- Flashing Fastener (by others)
- Metal Stud
- #10 x 5/8" Wafer Head Fastener
- Utility Cleat without Return
- Flashing (by others)
- Head Trim
- Backer Rod and Sealant
- Angle Trim with Return
- Window



VSA962-Utility Cleat without Return

ATAS ATAS INTERNATIONAL, INC
Allentown PA
610-395-8445
Mesa AZ
480-558-7210

TITLE		Versa-Line Open Head Detail	
DWG. NO.	DR	DATE	1/23/2017
	DMR		
MATERIAL	APP	DATE	
	SH. SIZE	SCALE	X:X
	B		

REV. NO.	DATE	DESCRIPTION OF REVISION	BY	APP