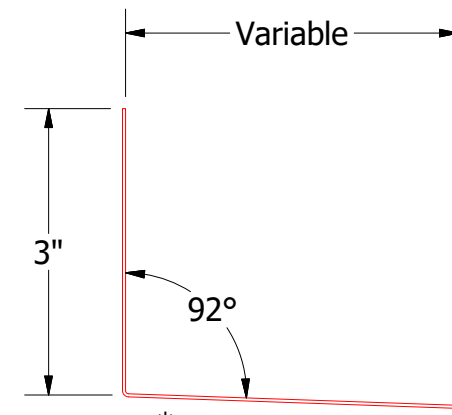
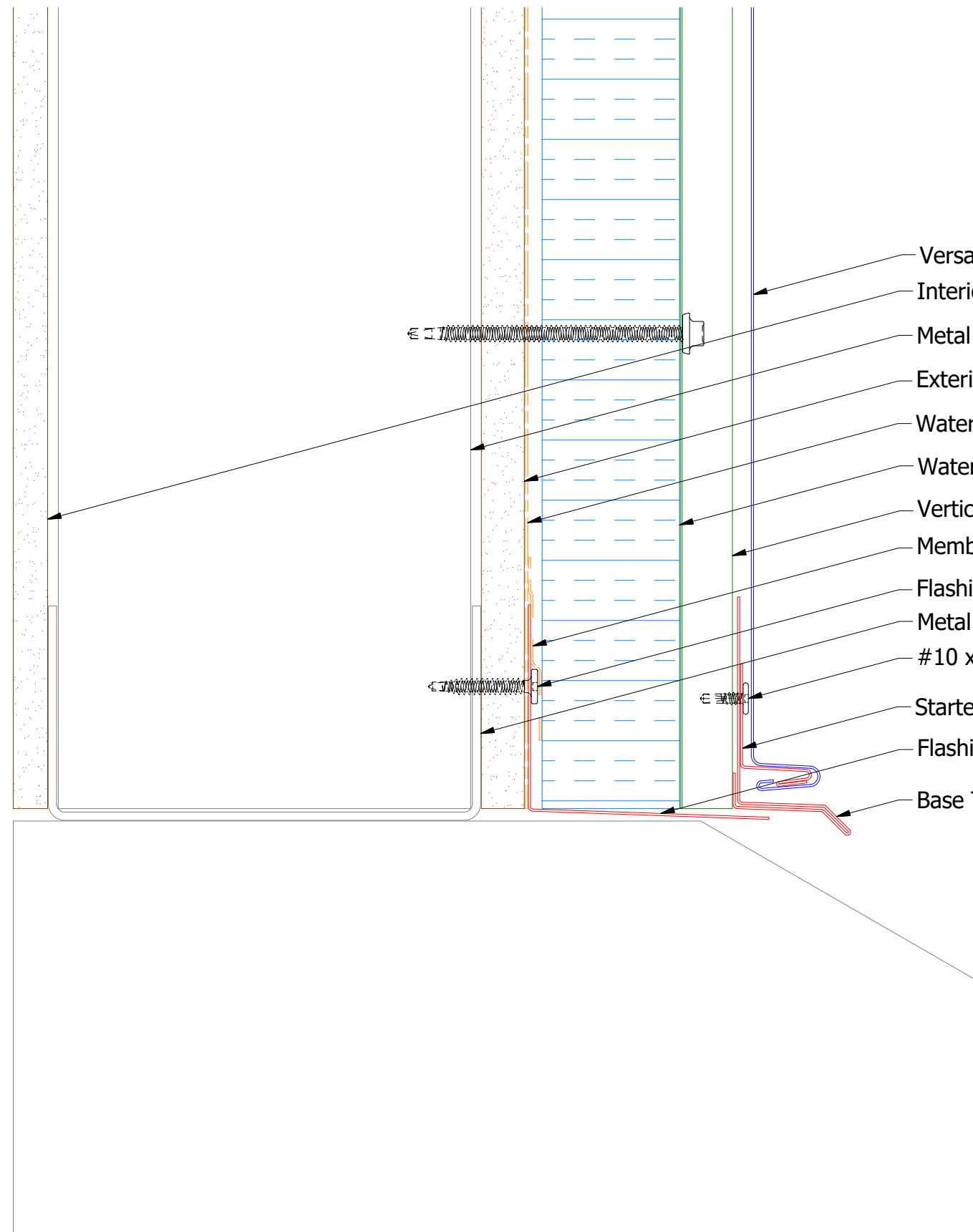


ATAS INTERNATIONAL, INC
 Allentown PA
 610-395-8445
 Mesa AZ
 480-558-7210

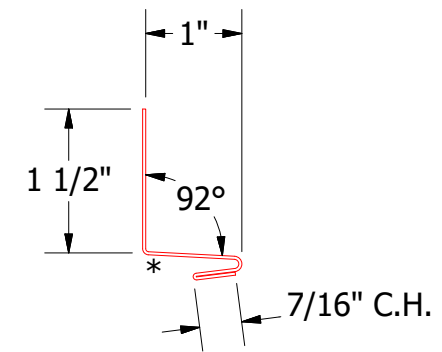
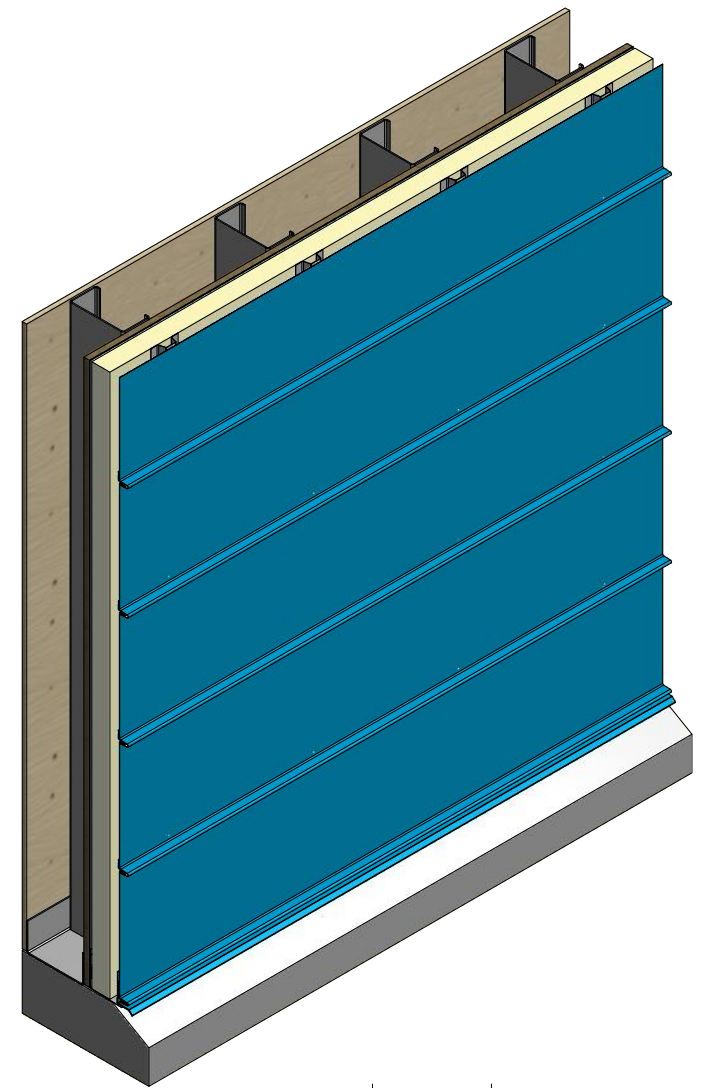
TITLE		Versa Line Panel Profile Detail	
DWG. NO.	DR	APP	DATE
	KRK		5/10/2016
MATERIAL	SH. SIZE	SCALE	X:X
	B		

REV. NO.	DATE	DESCRIPTION OF REVISION	BY	APP

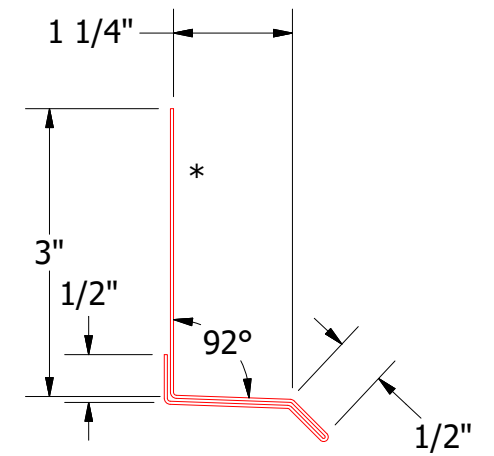
Horizontal Panel



Flashing
(Field Fabricated From Color Matched Flat Stock)



Starter Cleat



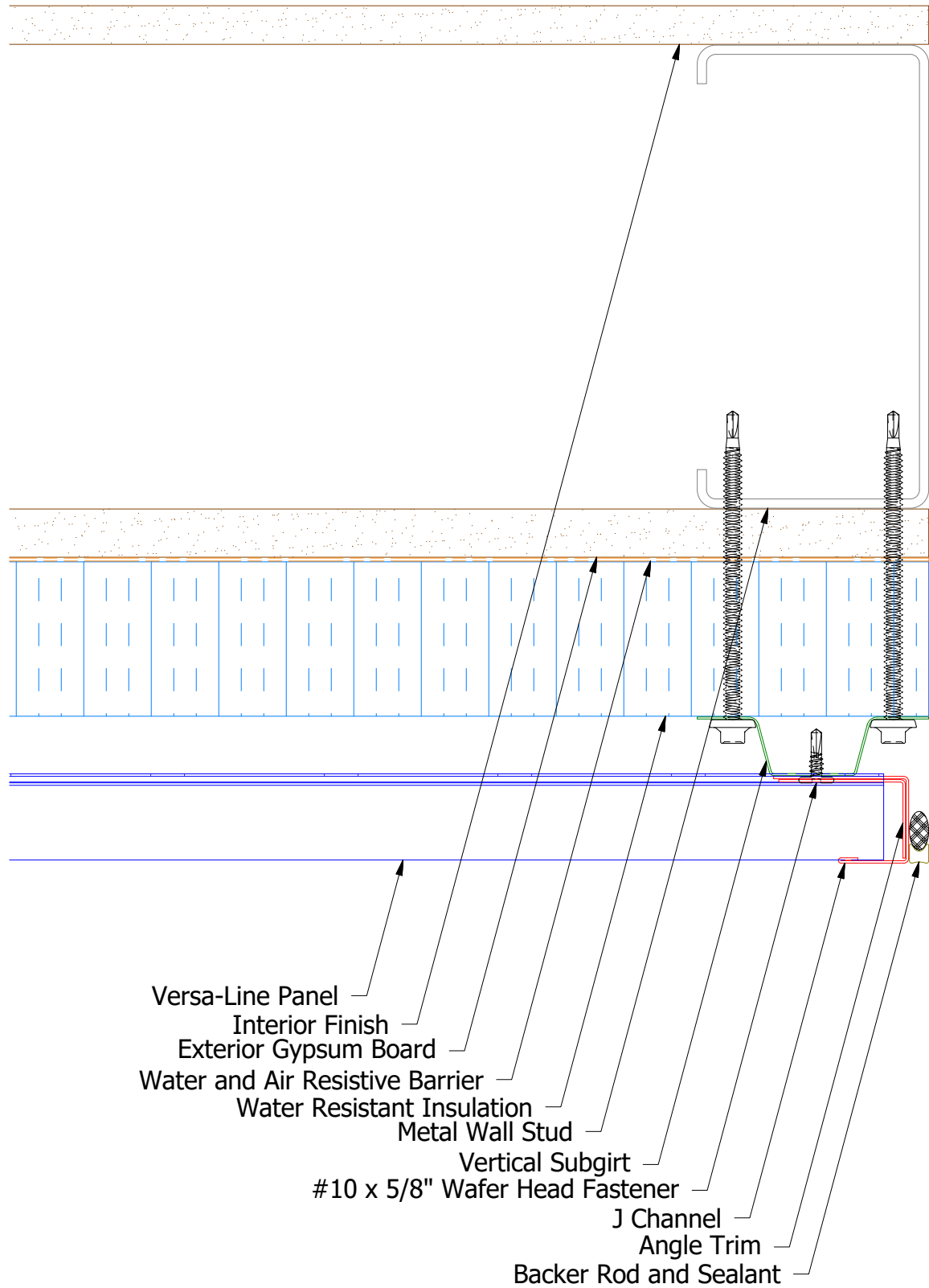
VSA661-Base Trim

ATAS ATAS INTERNATIONAL, INC
Allentown PA
610-395-8445
Mesa AZ
480-558-7210

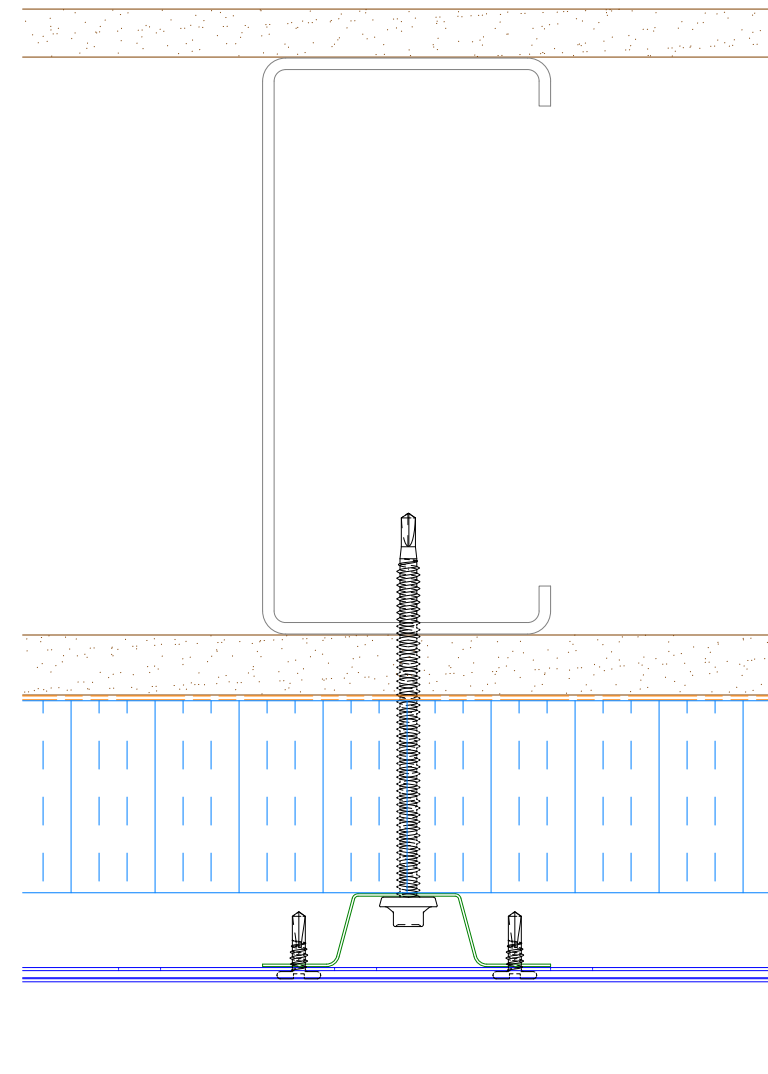
TITLE **Versa-Line Open Base Detail**

REV. NO.	DATE	DESCRIPTION OF REVISION	BY	APP	DR	DMR	DATE	1/18/2017
					APP		DATE	
					SH. SIZE	B	SCALE	X:X

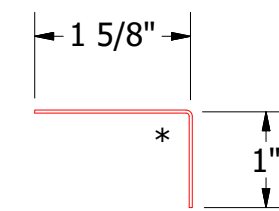
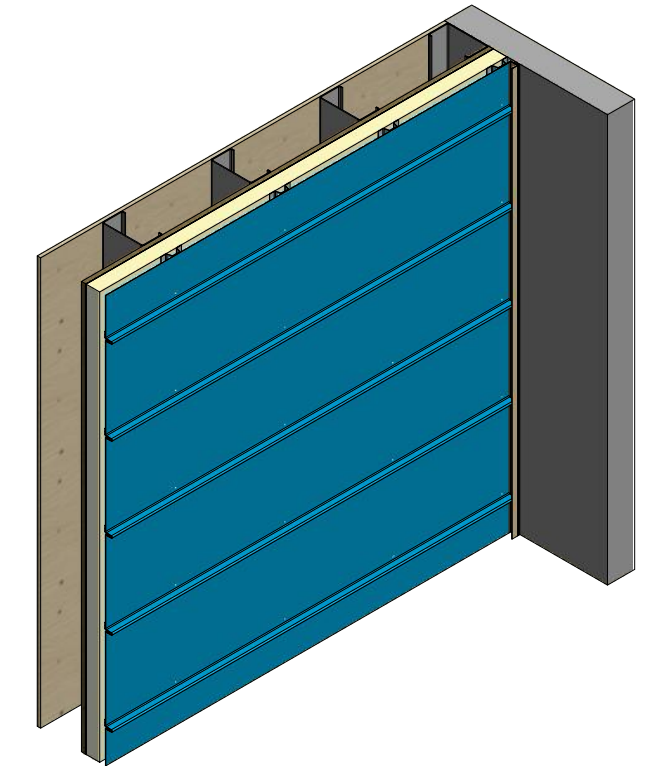
Horizontal Panel



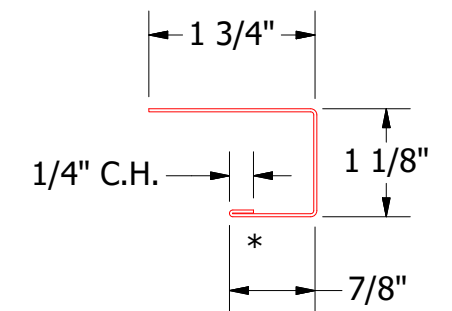
- Versa-Line Panel
- Interior Finish
- Exterior Gypsum Board
- Water and Air Resistive Barrier
- Water Resistant Insulation
- Metal Wall Stud
- Vertical Subgirt
- #10 x 5/8" Wafer Head Fastener
- J Channel
- Angle Trim
- Backer Rod and Sealant



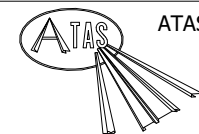
Alternate Subgirt Orientation



VSA680-Angle Trim



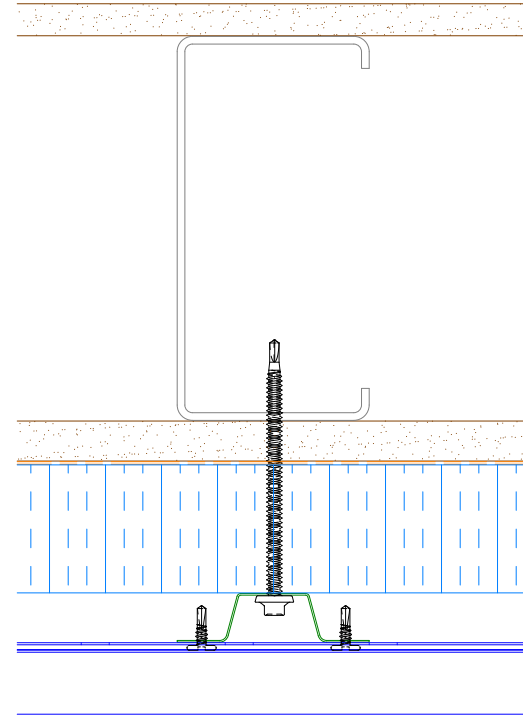
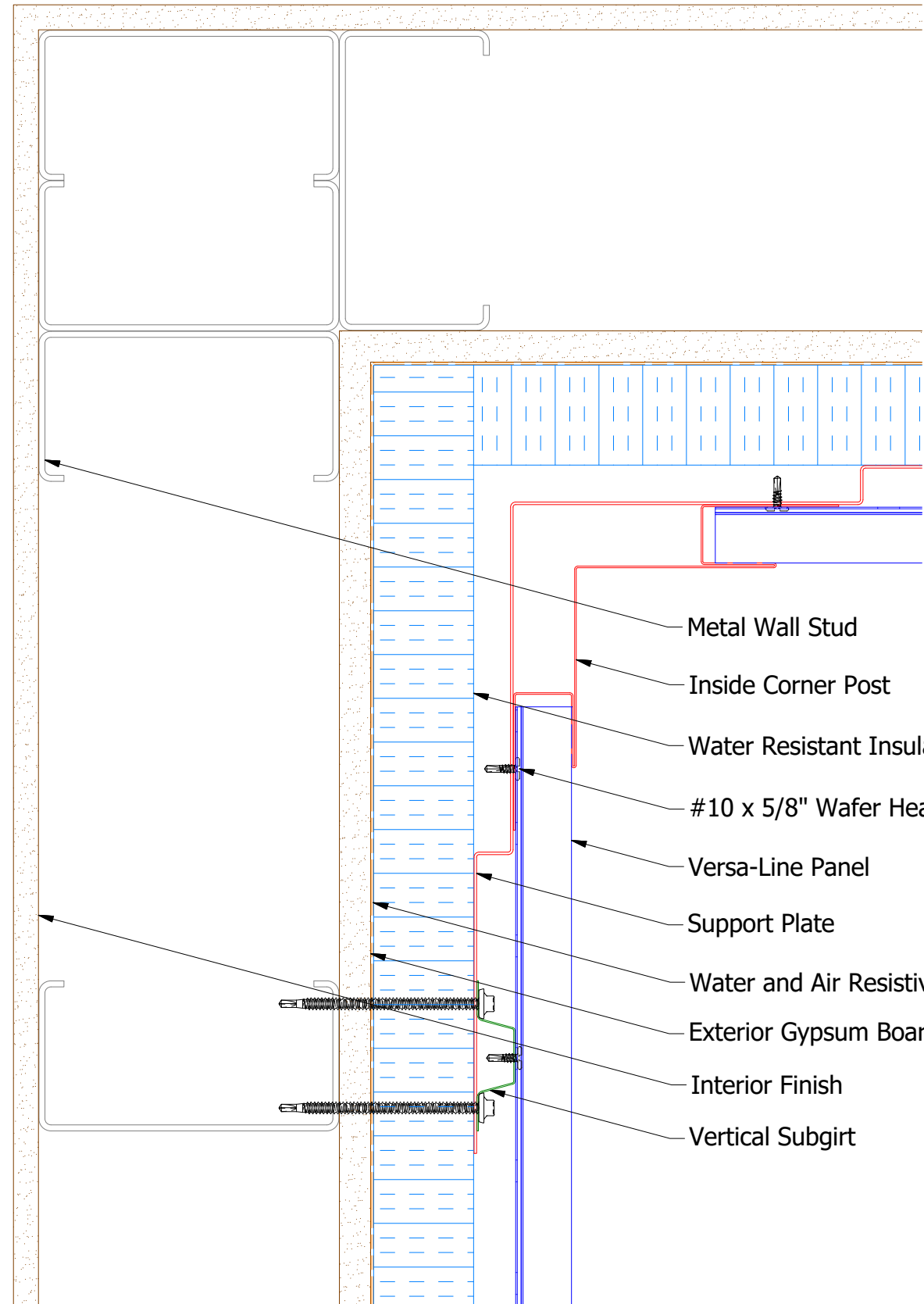
VSA118-J Channel



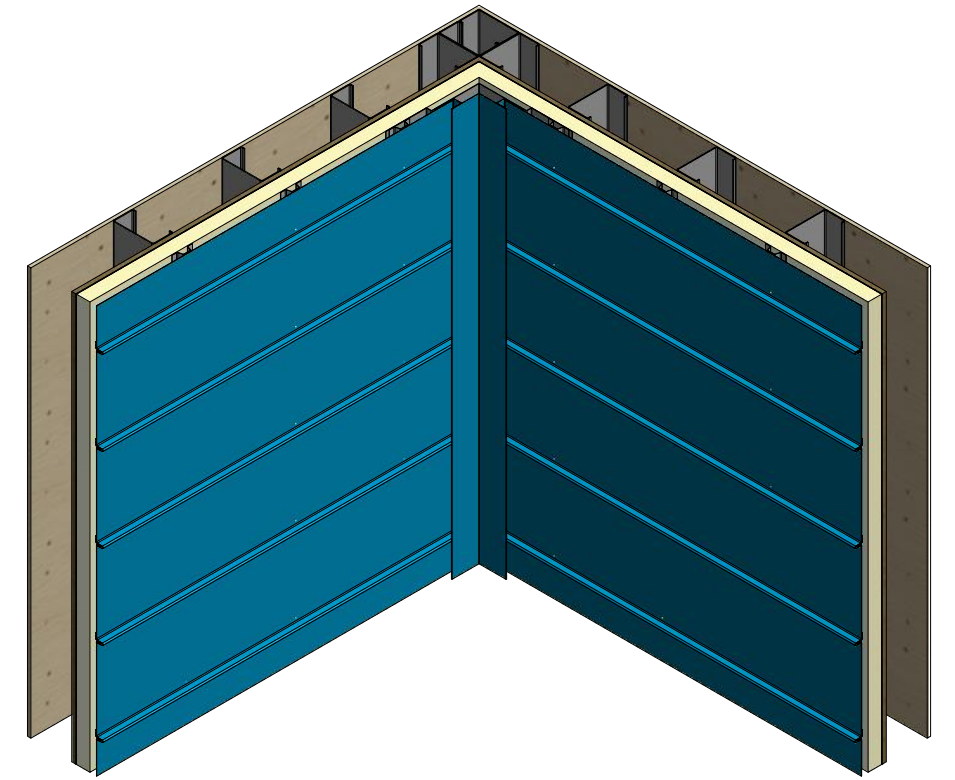
ATAS INTERNATIONAL, INC
 Allentown PA
 610-395-8445
 Mesa AZ
 480-558-7210

TITLE				Versa-Line Open Endwall Detail			
DWG. NO.		DR		DATE		DATE	
		DMR		1/19/2017			
MATERIAL		APP		DATE			
REV. NO.		DATE		DESCRIPTION OF REVISION		BY APP	
						SH. SIZE B SCALE X:X	

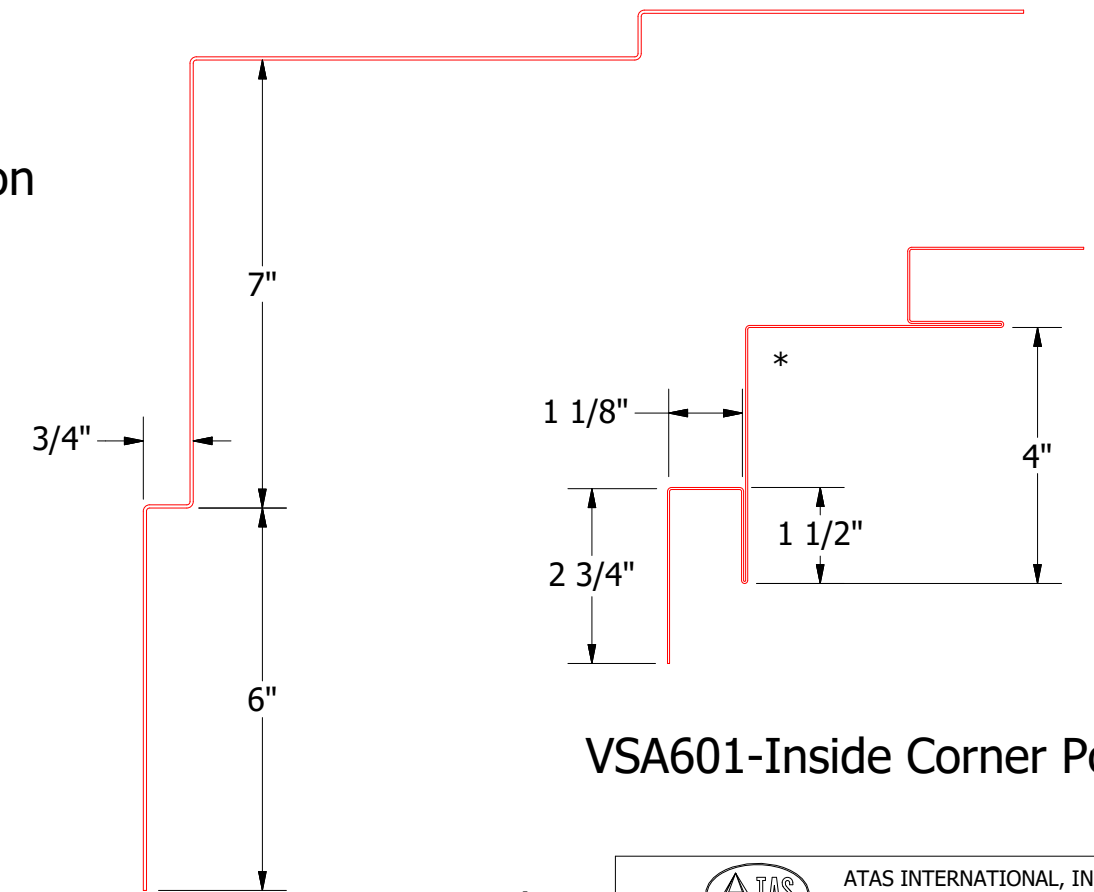
Horizontal Panel



Alternate Subgirt Orientation



- Metal Wall Stud
- Inside Corner Post
- Water Resistant Insulation
- #10 x 5/8" Wafer Head Fastener
- Versa-Line Panel
- Support Plate
- Water and Air Resistive Barrier
- Exterior Gypsum Board
- Interior Finish
- Vertical Subgirt



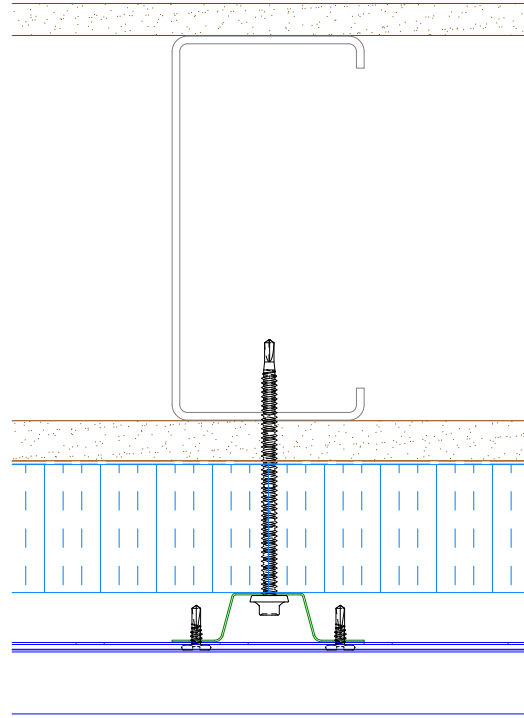
Support Plate

VSA601-Inside Corner Post

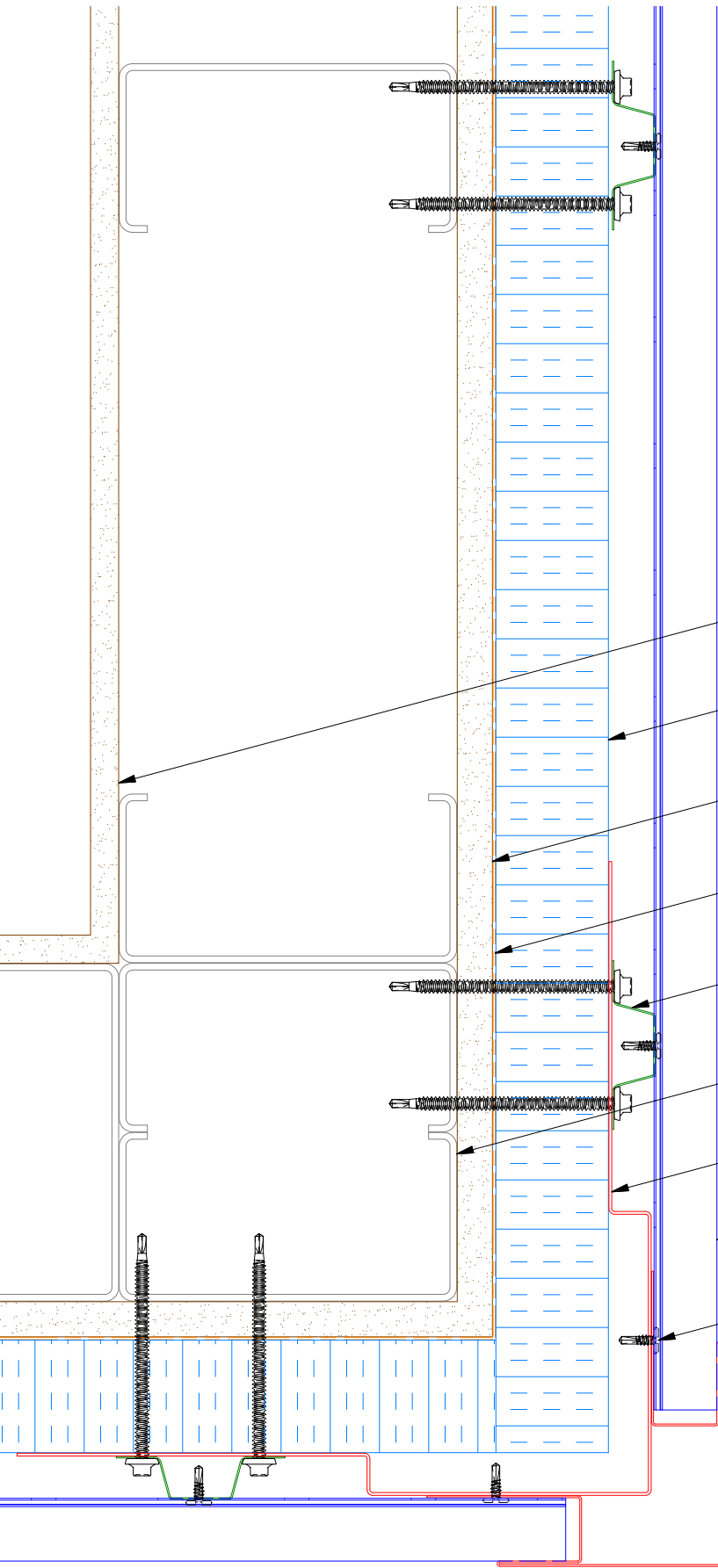
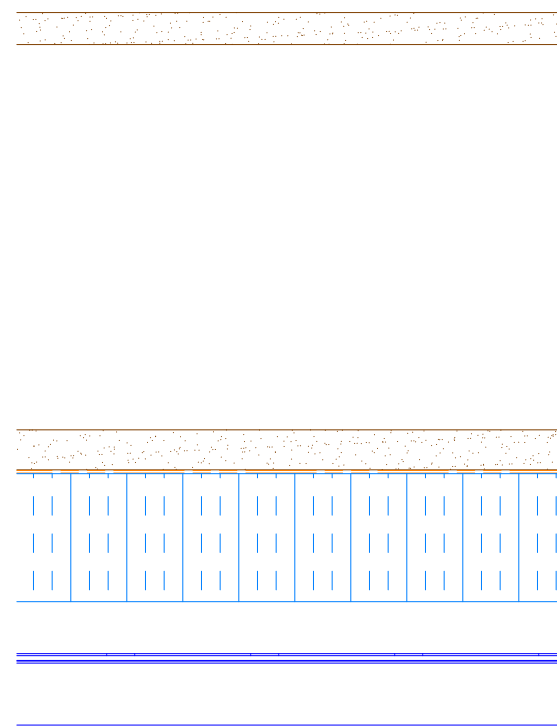
ATAS INTERNATIONAL, INC
 Allentown PA
 610-395-8445
 Mesa AZ
 480-558-7210

REV. NO.		DATE	DESCRIPTION OF REVISION	BY	APP	TITLE		DR	DATE
						Versa-Line Open Inside Corner Detail		DMR	1/24/2017
						MATERIAL		APP	DATE
						SH. SIZE		B	SCALE
									X:X

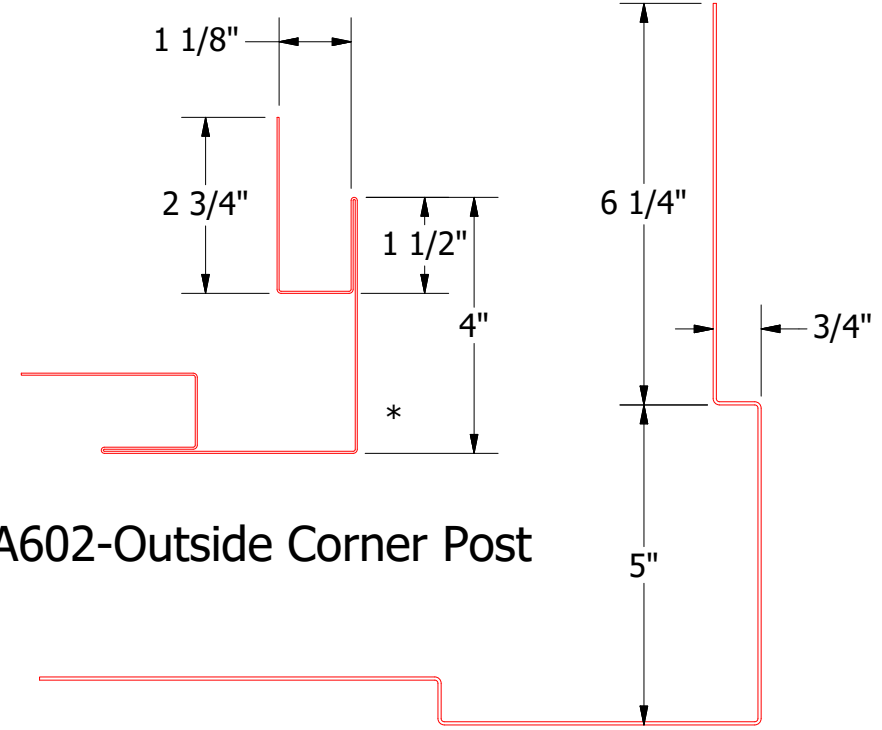
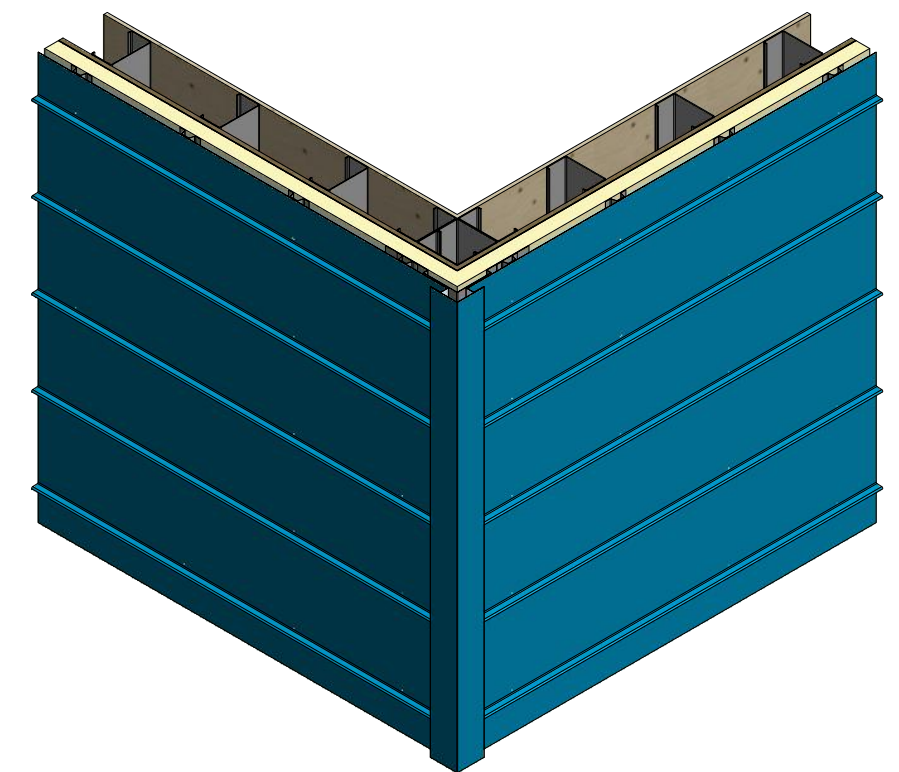
Horizontal Panel



Alternate Subgirt Orientation



- Interior Finish
- Water Resistant Insulation
- Exterior Gypsum Board
- Water and Air Resistive Barrier
- Vertical Subgirt
- Metal Wall Stud
- Support Plate
- Versa-Line Panel
- #10 x 5/8" Wafer Head Fastener
- Outside Corner Post

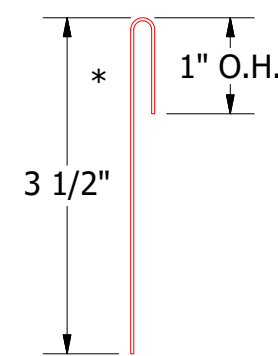
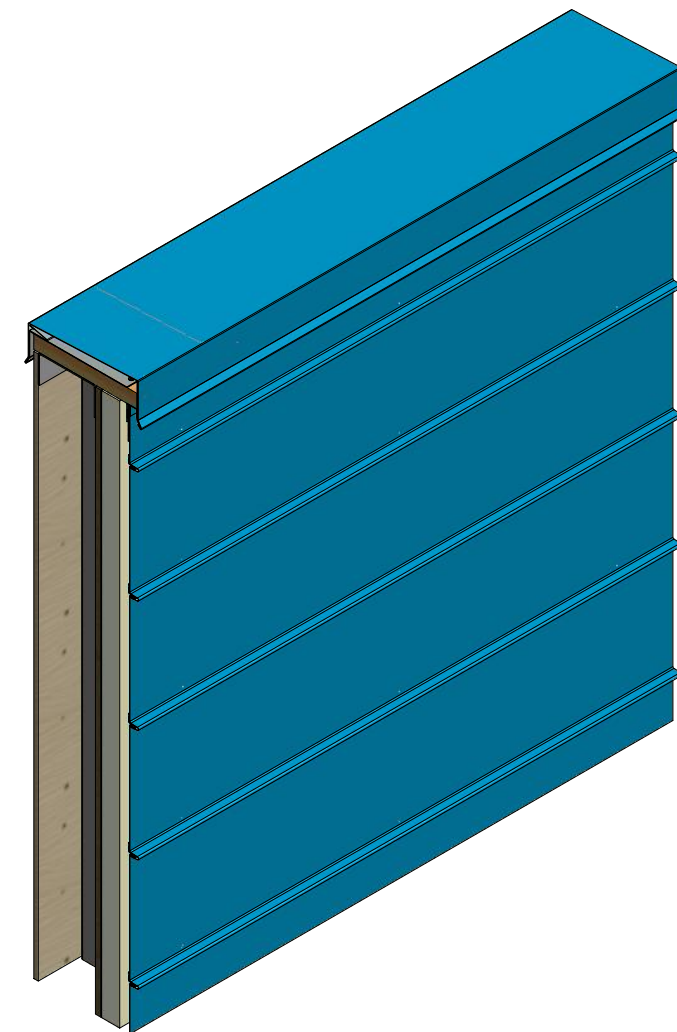
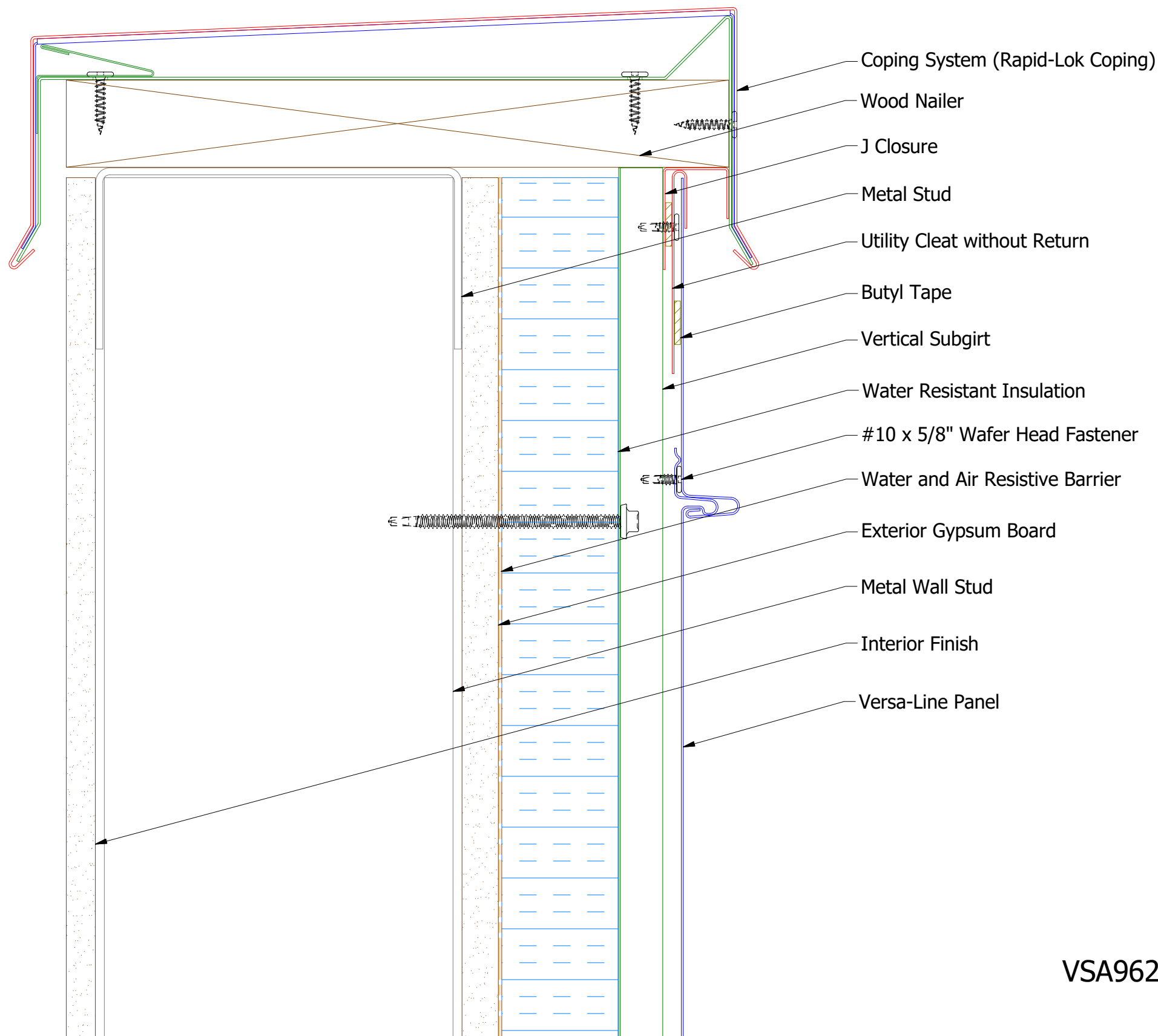


ATAS ATAS INTERNATIONAL, INC
 Allentown PA
 610-395-8445
 Mesa AZ
 480-558-7210

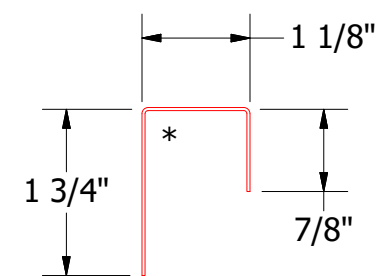
TITLE		Versa-Line Open Outside Corner Detail	
DWG. NO.	DR	DATE	1/26/2017
	DMR		
MATERIAL	APP	DATE	
	SH. SIZE	B	SCALE X:X

REV. NO.	DATE	DESCRIPTION OF REVISION	BY	APP

Horizontal Panel

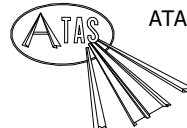


VSA962-Utility Cleat without Return

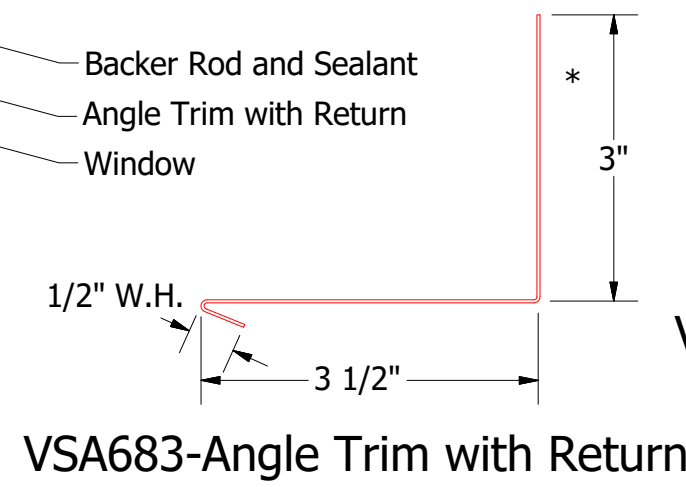
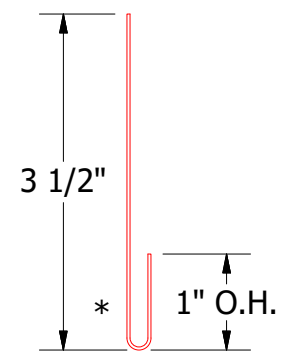
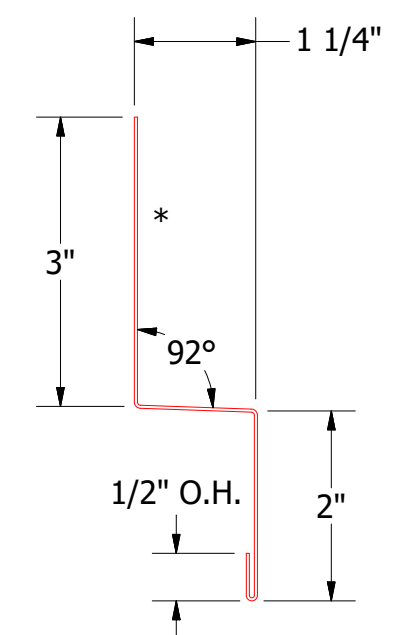
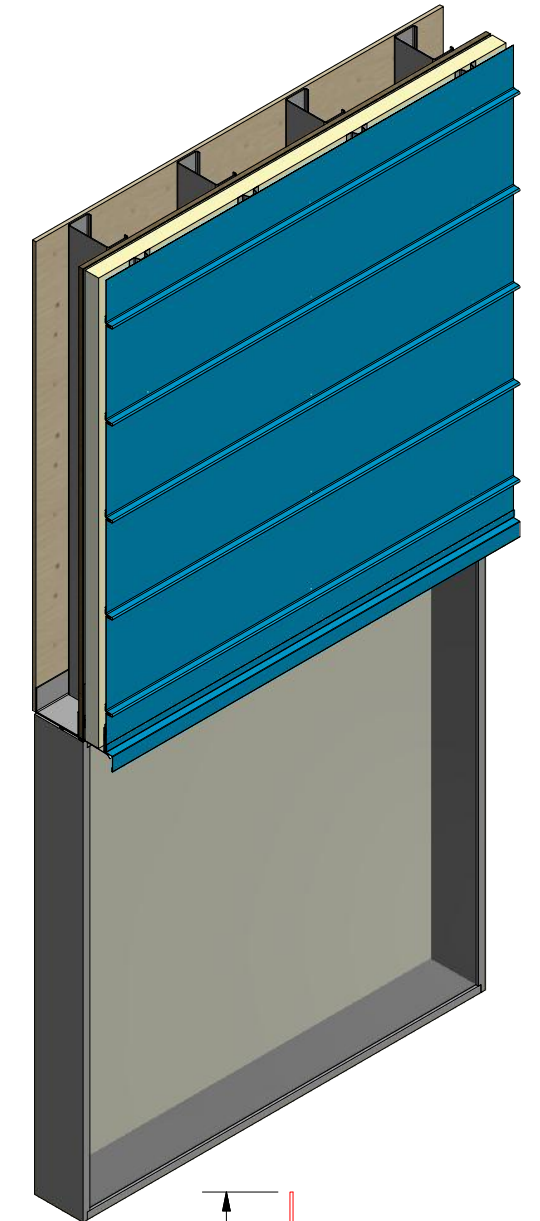
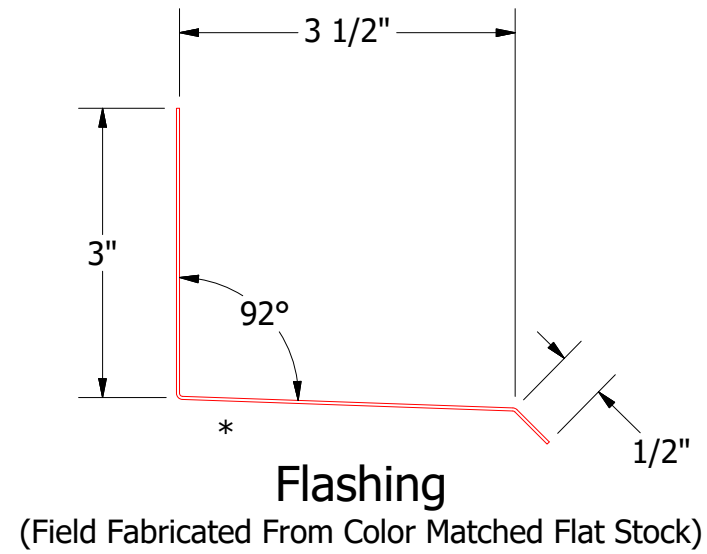
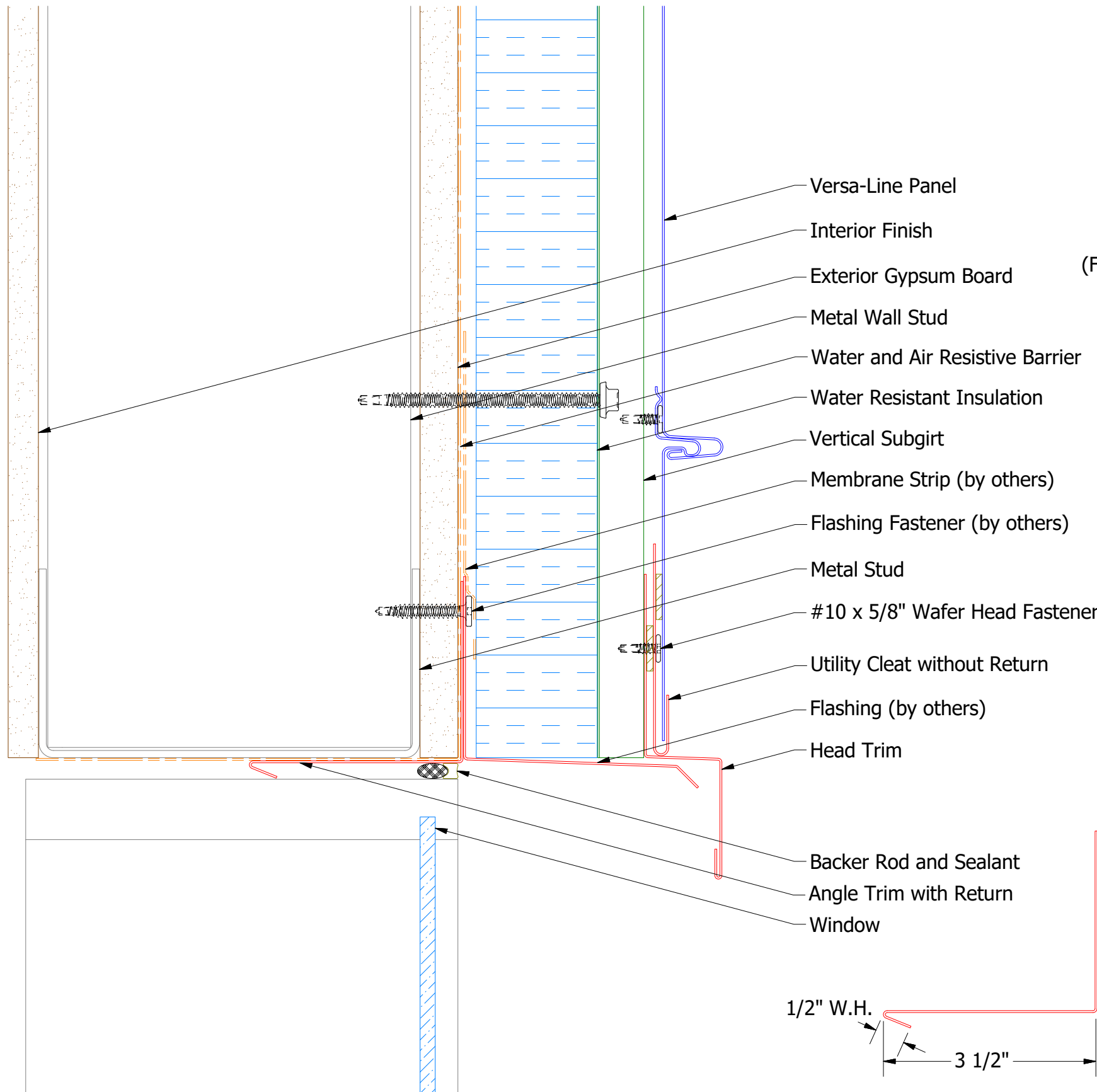


VSA270-J Closure

REV. NO.	DATE	DESCRIPTION OF REVISION	BY	APP

 ATAS INTERNATIONAL, INC Allentown PA 610-395-8445 Mesa AZ 480-558-7210		
TITLE Versa-Line Open Top of Wall Detail		
DWG. NO. APP	DR DMR	DATE 1/26/2017
MATERIAL SH. SIZE	SCALE B	SCALE X:X

Horizontal Panel



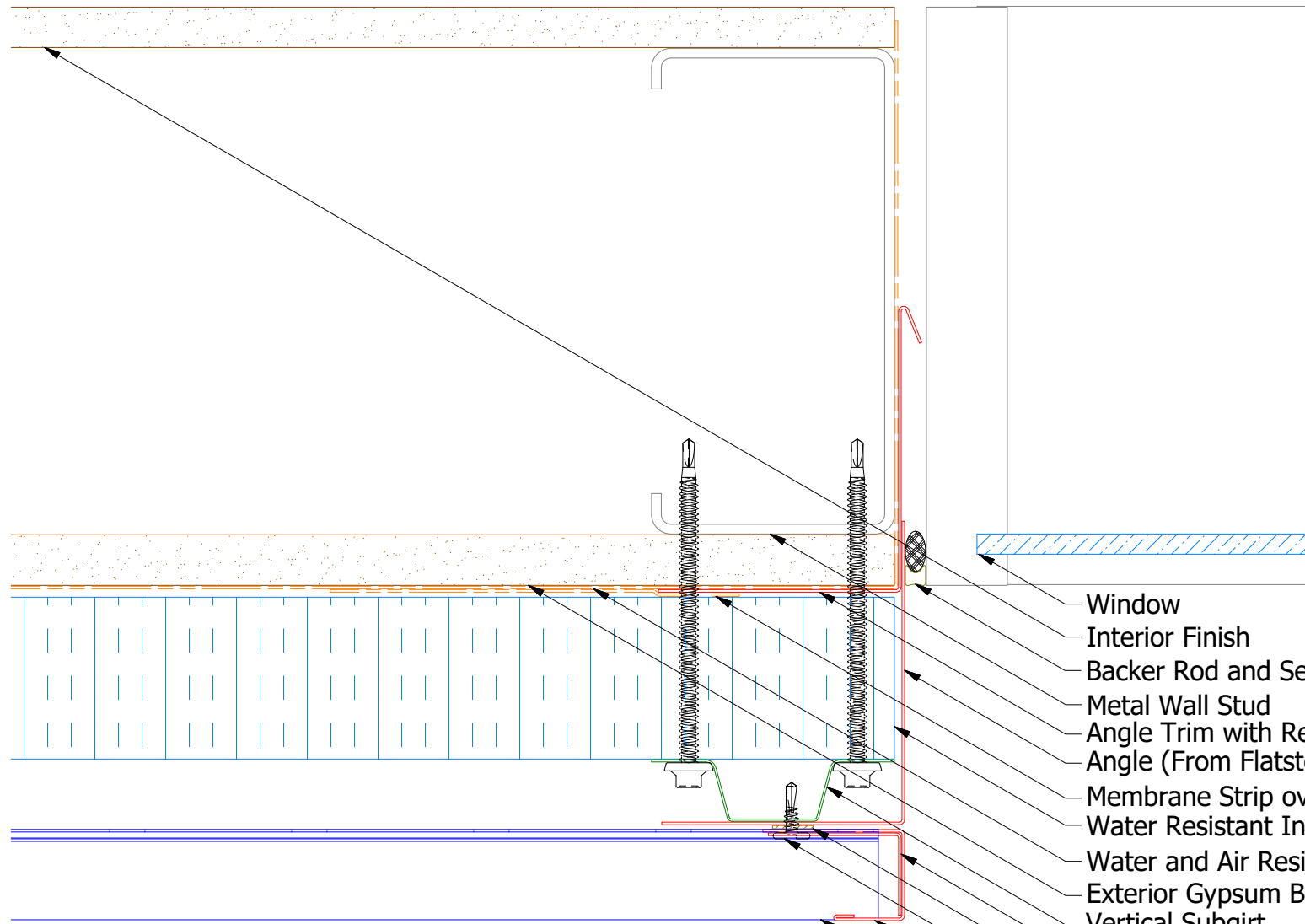
VSA962-Utility Cleat without Return

ATAS ATAS INTERNATIONAL, INC
Allentown PA
610-395-8445
Mesa AZ
480-558-7210

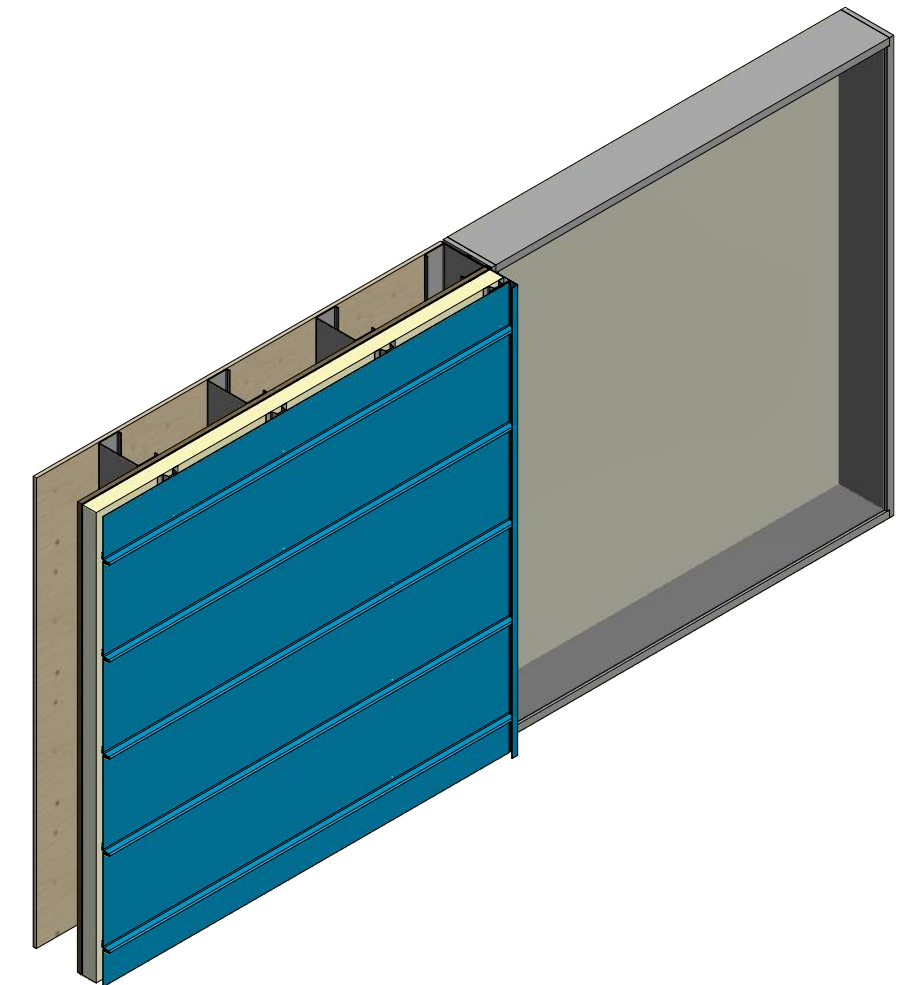
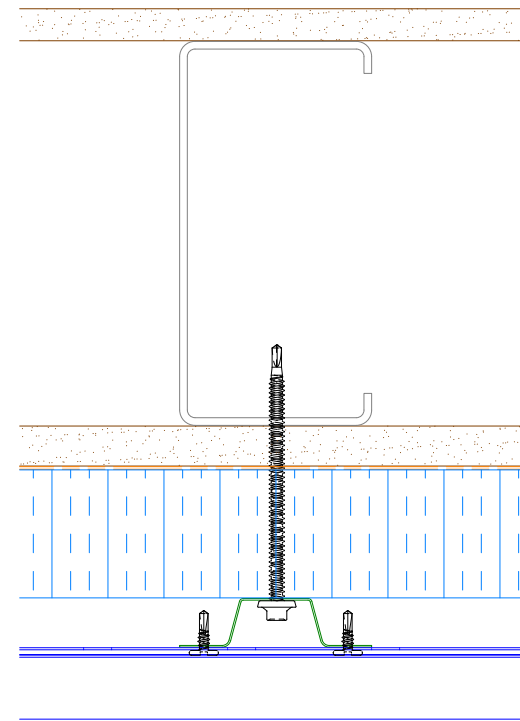
TITLE		Versa-Line Open Head Detail	
DWG. NO.	DR	DATE	1/23/2017
	DMR		
MATERIAL	APP	DATE	
	SH. SIZE	SCALE	X:X
	B		

REV. NO.	DATE	DESCRIPTION OF REVISION	BY	APP

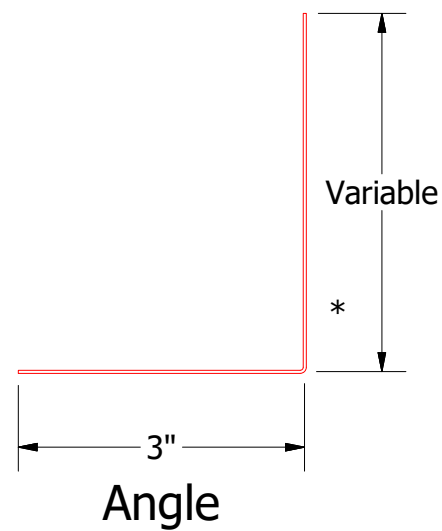
Horizontal Panel



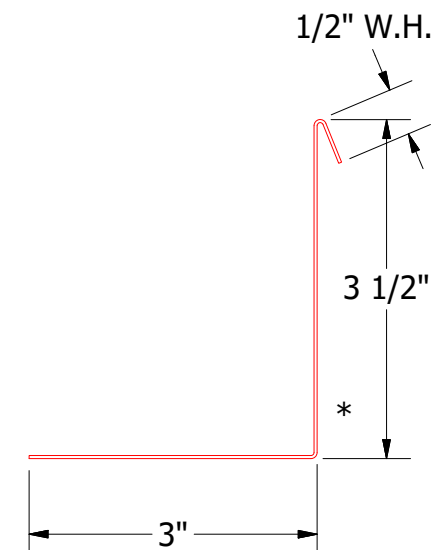
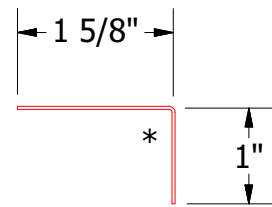
Alternate Subgirt Orientation (NTS)



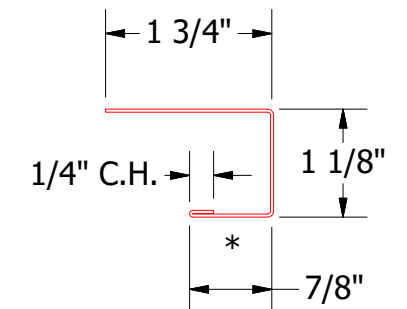
- Window
- Interior Finish
- Backer Rod and Sealant
- Metal Wall Stud
- Angle Trim with Return
- Angle (From Flatstock)
- Membrane Strip over Angle Trim with Return
- Water Resistant Insulation
- Water and Air Resistive Barrier
- Exterior Gypsum Board
- Vertical Subgirt
- Angle Trim
- Butyl Tape
- #10 x 5/8" Wafer Head Fastener
- J Channel
- Versa-Line Panel



VSA680-Angle Trim



VSA683-Angle Trim with Return



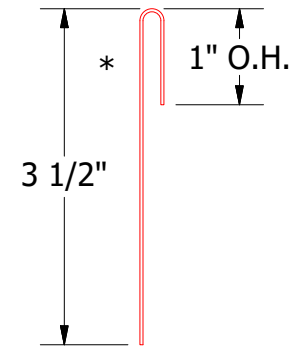
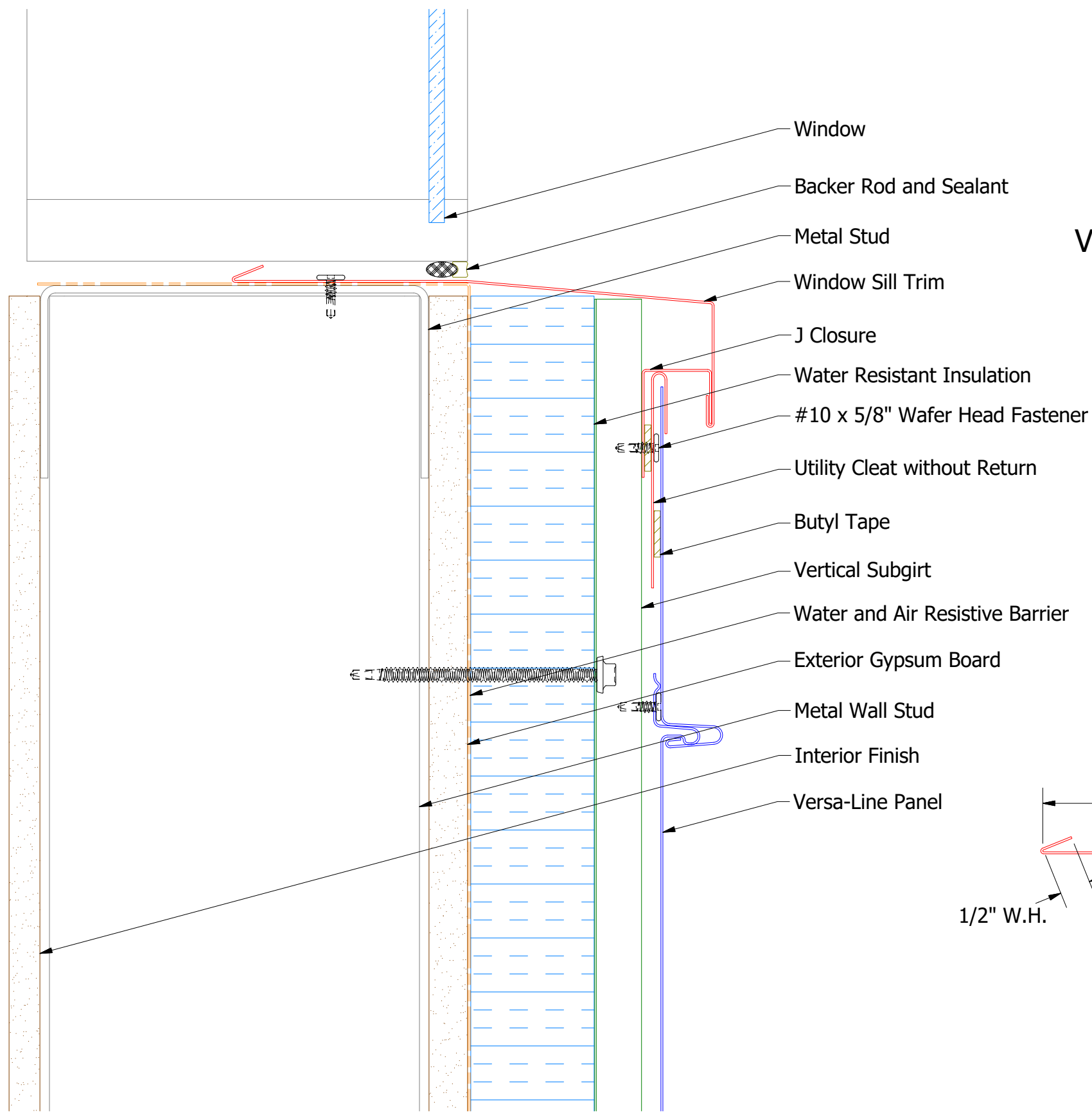
VSA118-J Channel

Note: * denotes color side.

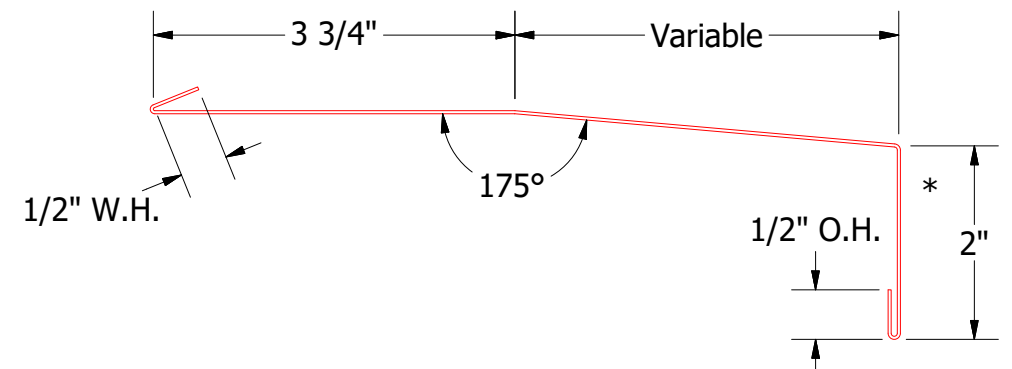
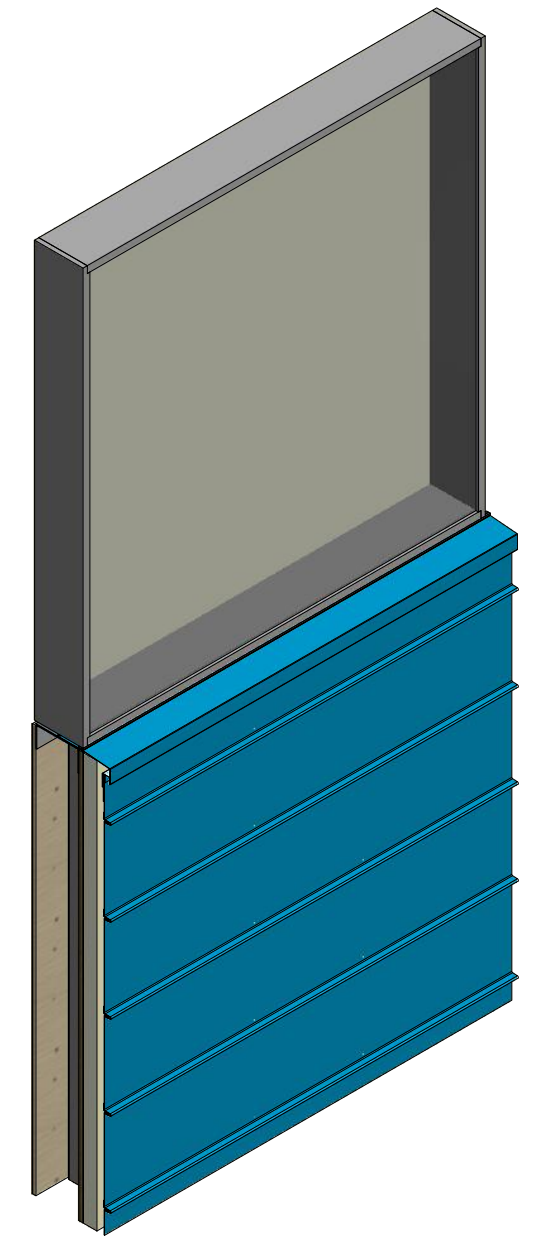
REV. NO.	DATE	DESCRIPTION OF REVISION	BY	APP	TITLE	DR	DATE
					Versa-Line Open Jamb Detail	DMR	1/25/2017
						APP	DATE
						SH. SIZE	SCALE
						B	X:X

ATAS ATAS INTERNATIONAL, INC
 Allentown PA
 610-395-8445
 Mesa AZ
 480-558-7210

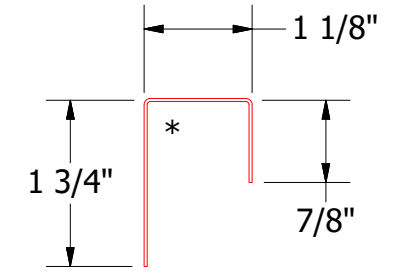
Horizontal Panel



VSA962-Utility Cleat without Return



VSA670-Window Sill Trim



VSA270-J Closure

ATAS ATAS INTERNATIONAL, INC
 Allentown PA
 610-395-8445
 Mesa AZ
 480-558-7210

TITLE Versa-Line Open Window Sill Detail

REV. NO.	DATE	DESCRIPTION OF REVISION	BY	APP	DWG. NO.	DR	DATE
						DMR	1/27/2017
					MATERIAL	APP	DATE
					SH. SIZE	B	SCALE
							X:X