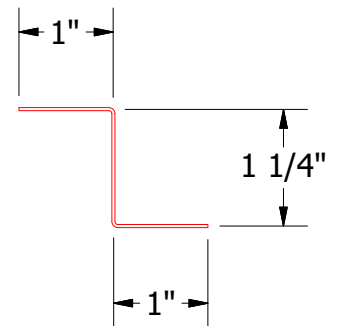
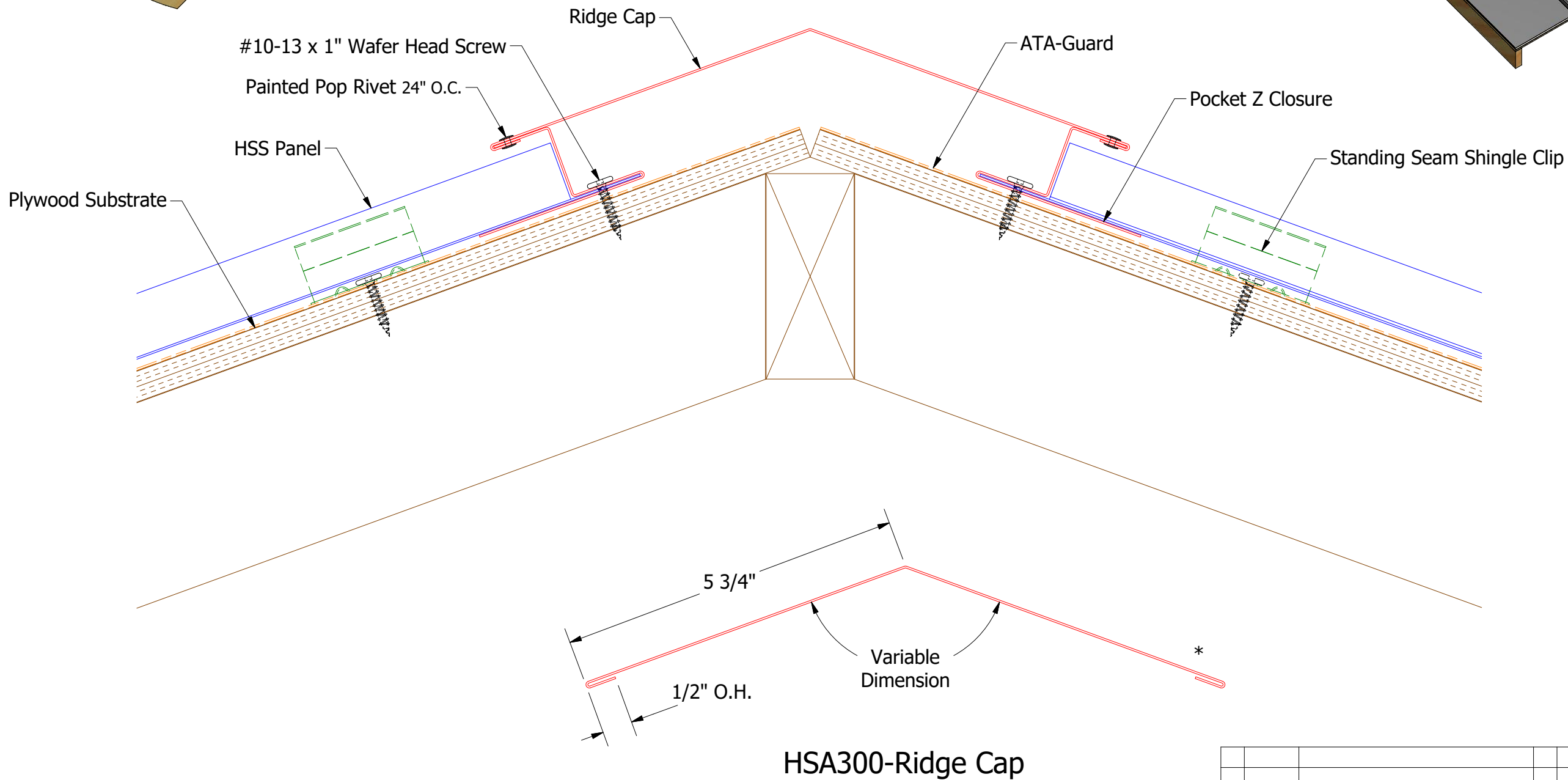
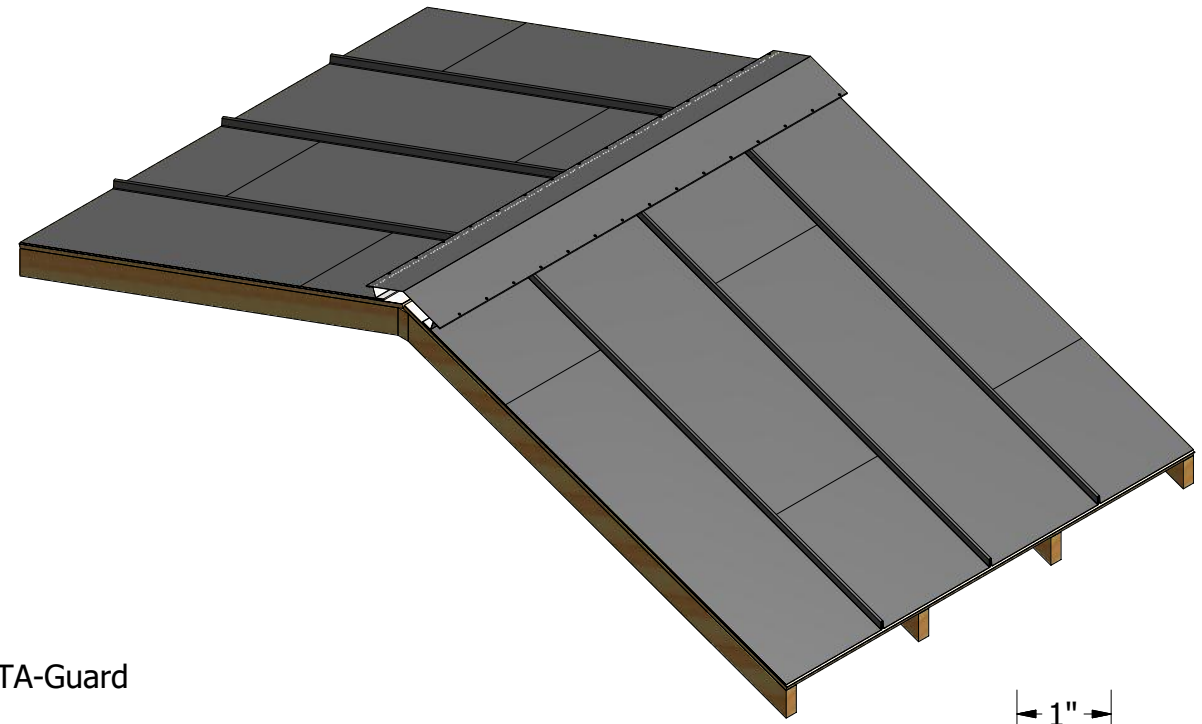
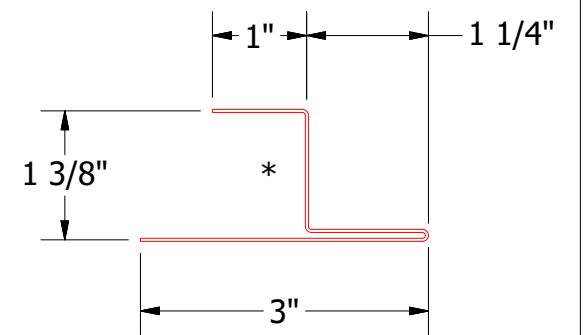


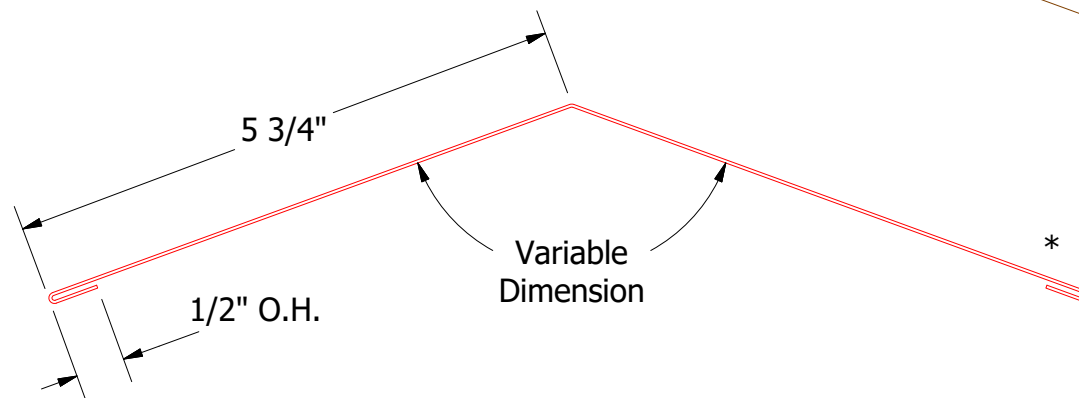
Fasten 4 Fasteners With Each Standing Seam Panel



HSA910-Z Closure (Optional)



HSA930-Pocket Z Closure (Standard)



HSA300-Ridge Cap

Note: * denotes color side.


ATAS INTERNATIONAL, INC
 Allentown PA
 610-395-8445
 Mesa AZ
 480-558-7210

TITLE				DR		DATE	
Standing Seam Shingle Ridge Detail				APP	KRK	11/26/2014	
REV. NO.	DATE	DESCRIPTION OF REVISION	BY	APP	SH. SIZE	SCALE	X:X
1	6/11/2019	Updated Clip Information	AJZ	KRK	B		