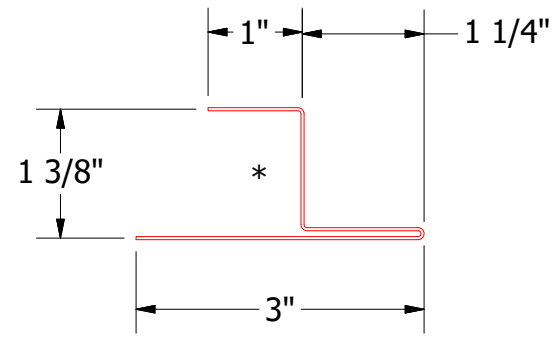
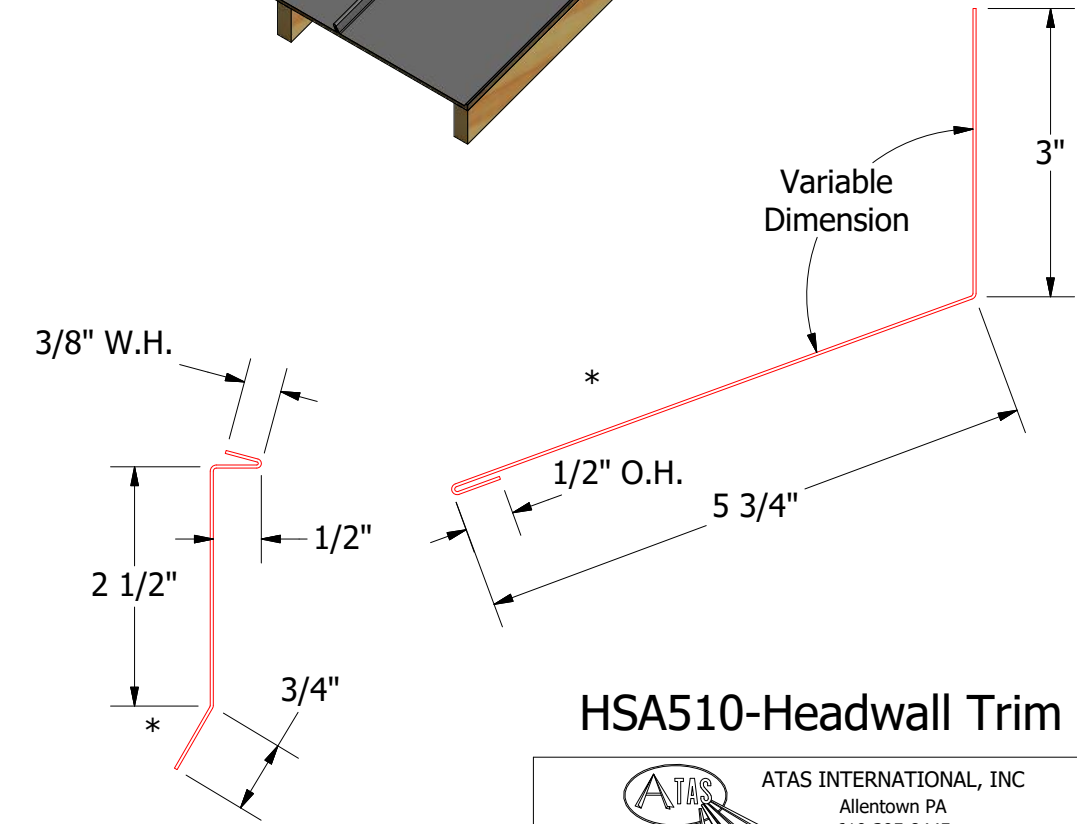
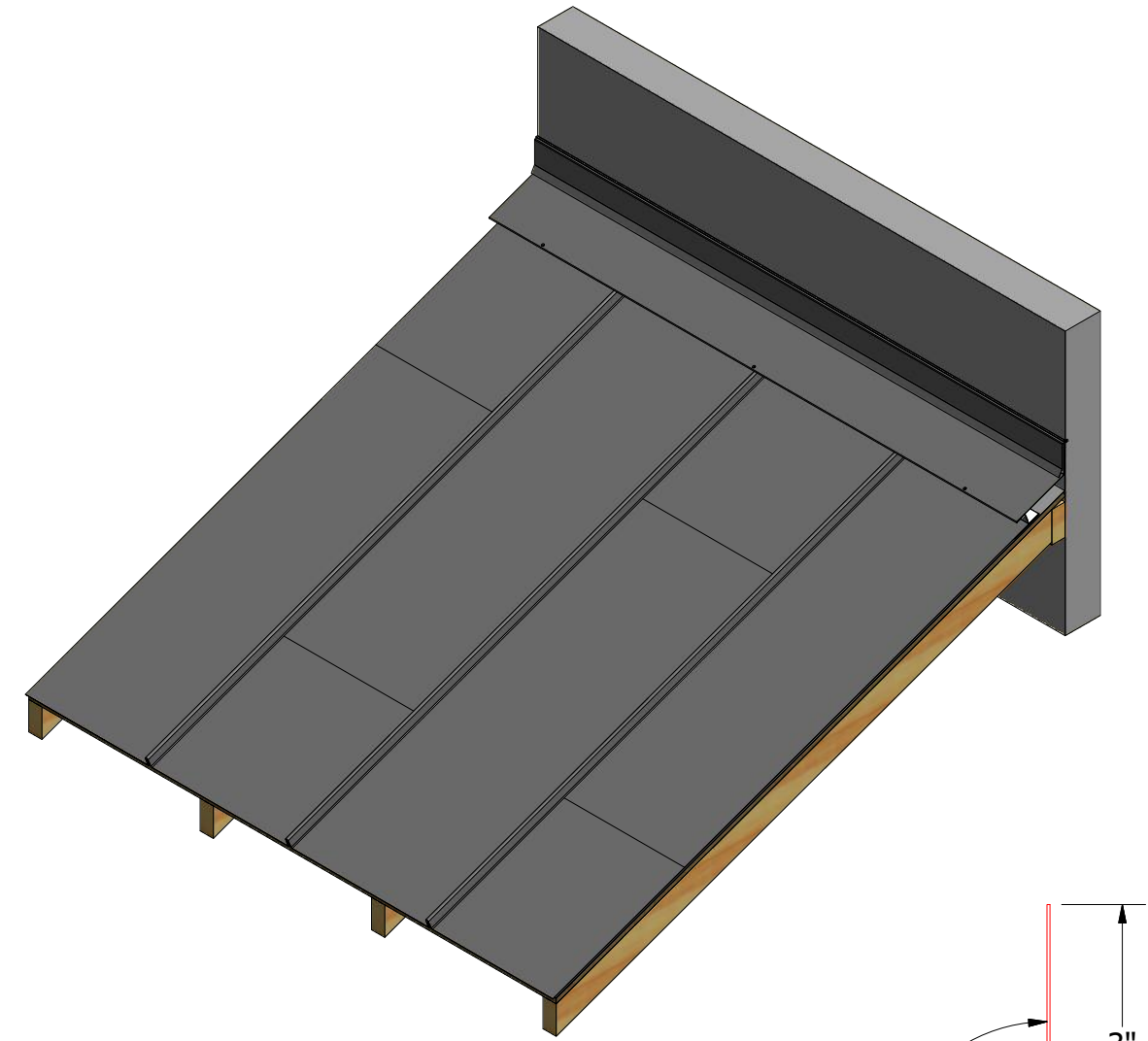


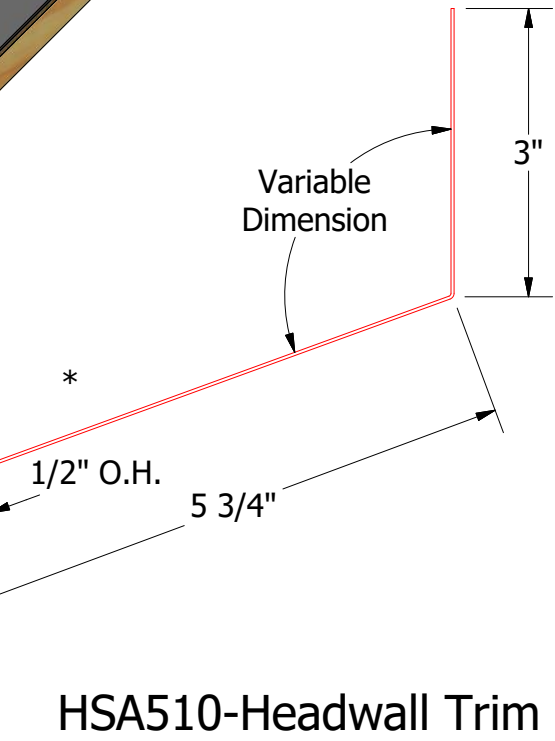
HSA910-Z Closure (Optional)



HSA930-Pocket Z Closure (Standard)



HSA980-Counterflashing



HSA510-Headwall Trim

Note: \* denotes color side.

		<b>ATAS INTERNATIONAL, INC</b> Allentown PA 610-395-8445 Mesa AZ 480-558-7210	
<b>TITLE</b> Standing Seam Shingle Headwall Detail			
DWG. NO.	DR	DATE	APP
1	KRK	11/25/2014	
REV. NO.	DATE	DESCRIPTION OF REVISION	BY
1	6/11/2019	Updated Substrate and Clip Information	AJZ
			KRK
			APP
SH. SIZE	B	SCALE	X:X