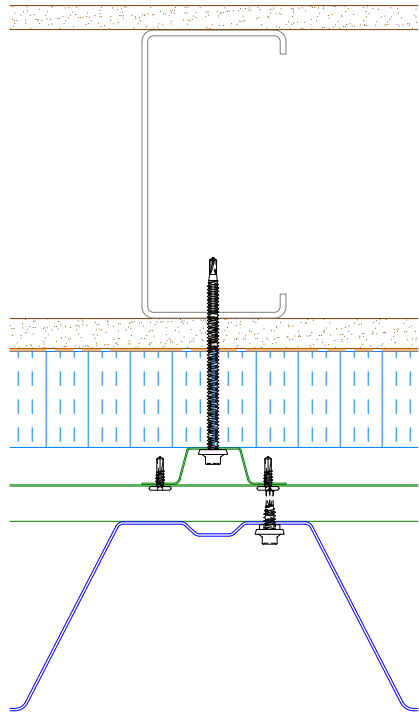
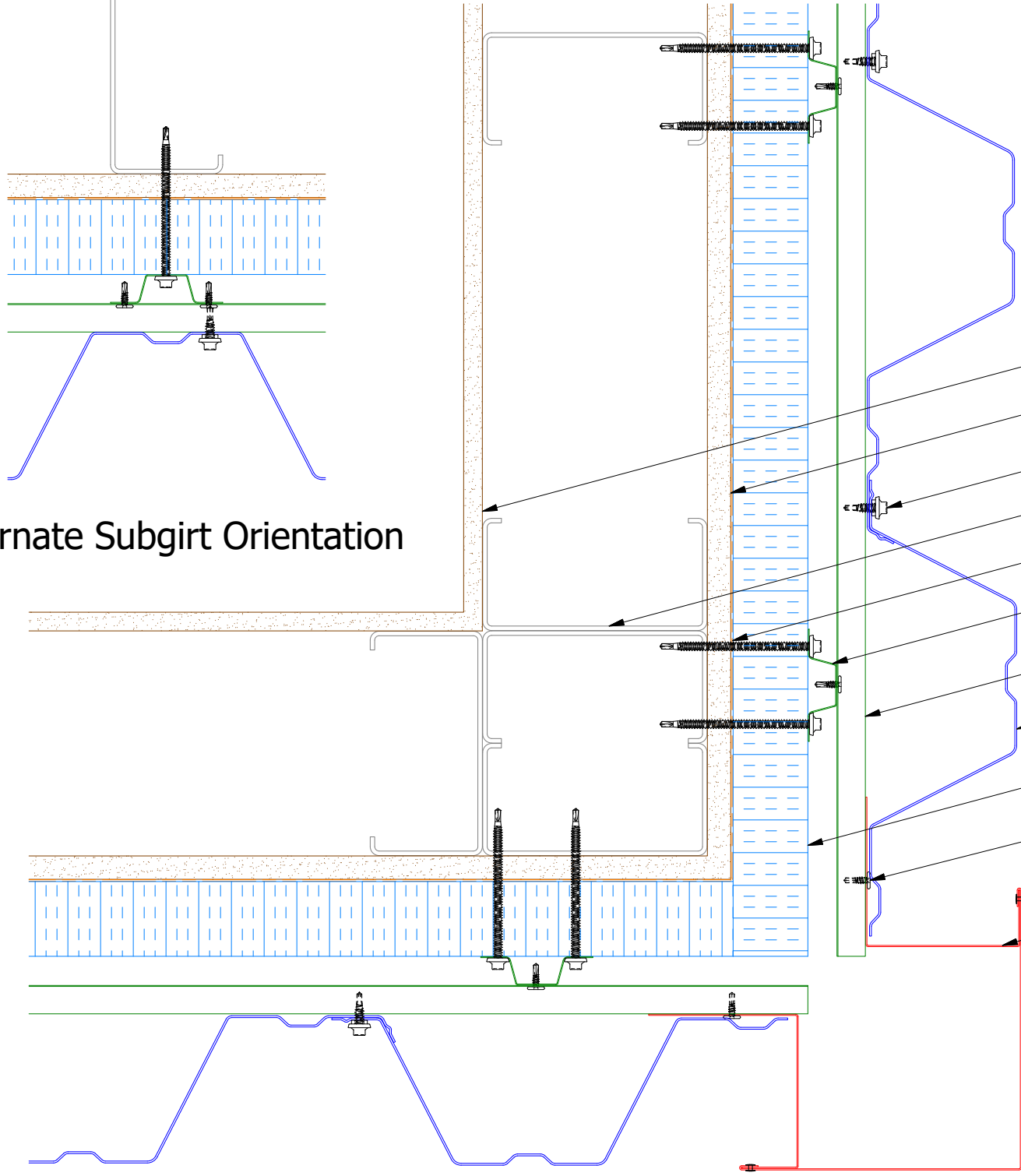


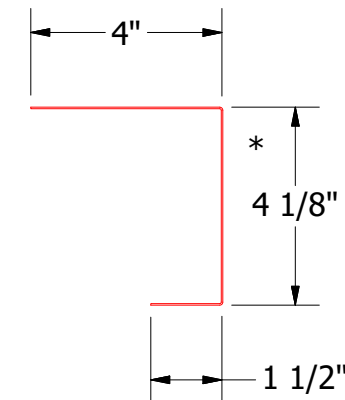
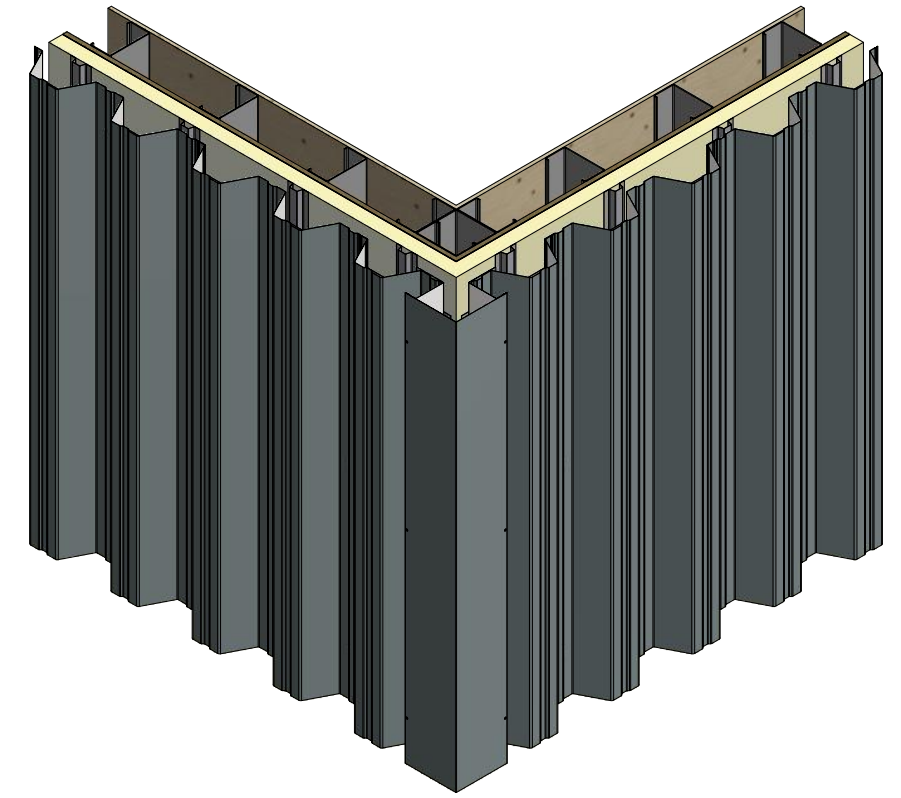
Vertical Panel



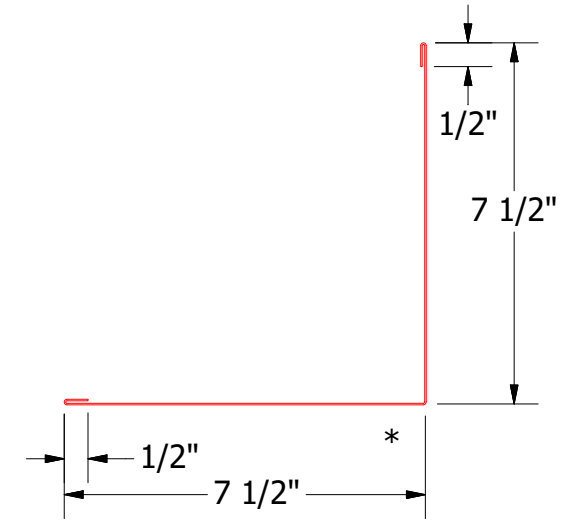
Alternate Subgirt Orientation



- Interior Finish
- Exterior Gypsum Board
- #14 x 7/8" Painted Hex Washer Head Fastener with Washer
- Metal Wall Stud
- Water and Air Resistive Barrier
- Vertical Subgirt
- Horizontal Subgirt
- Span Wall Panel
- Water Resistant Insulation
- #10 x 5/8" Wafer Head Fastener
- Painted Pop Rivet (Stainless Steel)
- J Closure
- Outside Corner Cap



BSA270-J Closure



BSA610-Outside Corner Cap

2 Stage Method of Weather Proofing

ATAS ATAS INTERNATIONAL, INC
 Allentown PA
 610-395-8445
 Mesa AZ
 480-558-7210

TITLE
Span Wall Outside Corner Cap Detail

REV. NO.	DATE	DESCRIPTION OF REVISION	BY	APP	DWG. NO.	DR	DATE
						KRK	3/6/2015
					MATERIAL	APP	DATE
					SH. SIZE	B	SCALE X:X