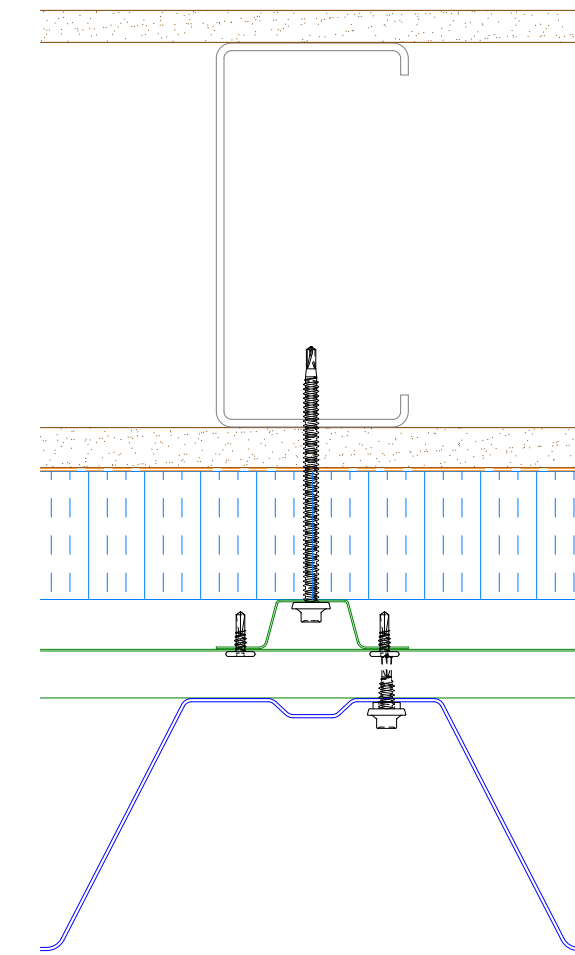
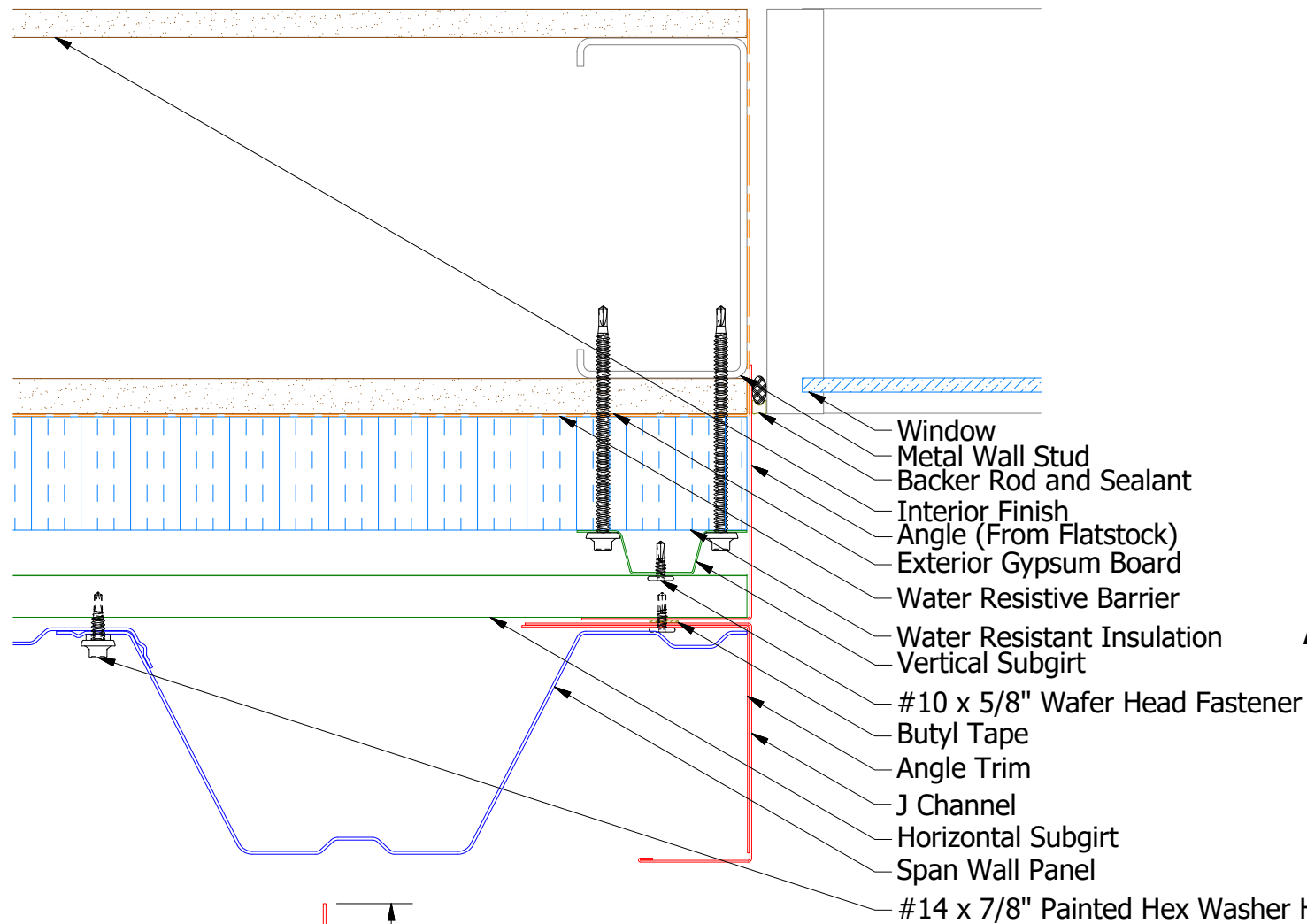
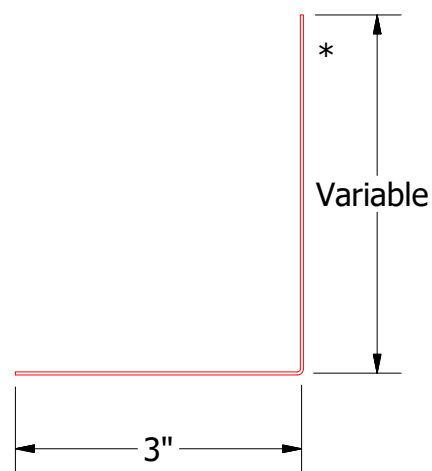
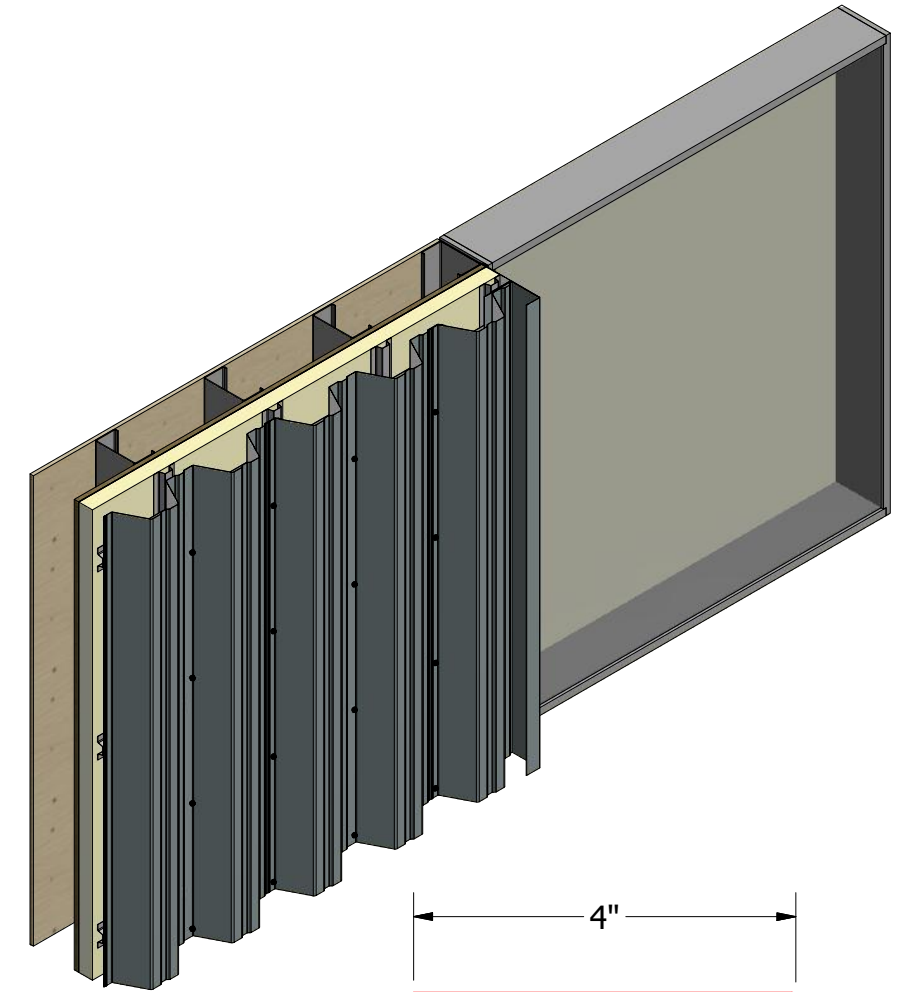


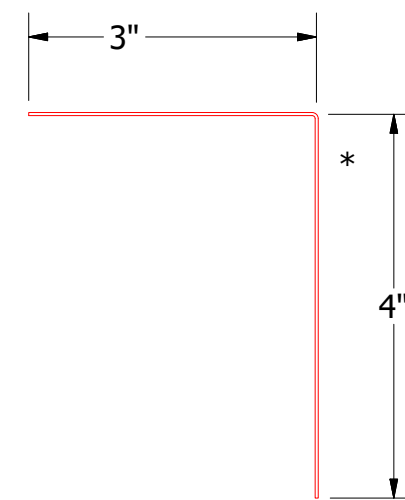
# Vertical Panel



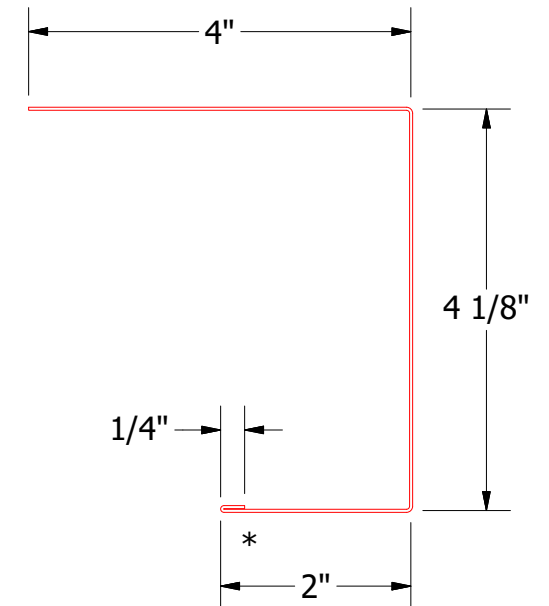
Alternate Subgirt Orientation



Angle



BSA680-Angle Trim



BSA140-J Channel

## 2 Stage Method of Weather Proofing

**ATAS** ATAS INTERNATIONAL, INC  
 Allentown PA  
 610-395-8445  
 Mesa AZ  
 480-558-7210

### Span Wall Jamb Detail

REV. NO.	DATE	DESCRIPTION OF REVISION	BY	APP	TITLE	DWG. NO.	DR	DATE
					Span Wall Jamb Detail		KRK	3/9/2015
							APP	DATE
							SH. SIZE	SCALE
							B	X:X

Note: \* denotes color side.