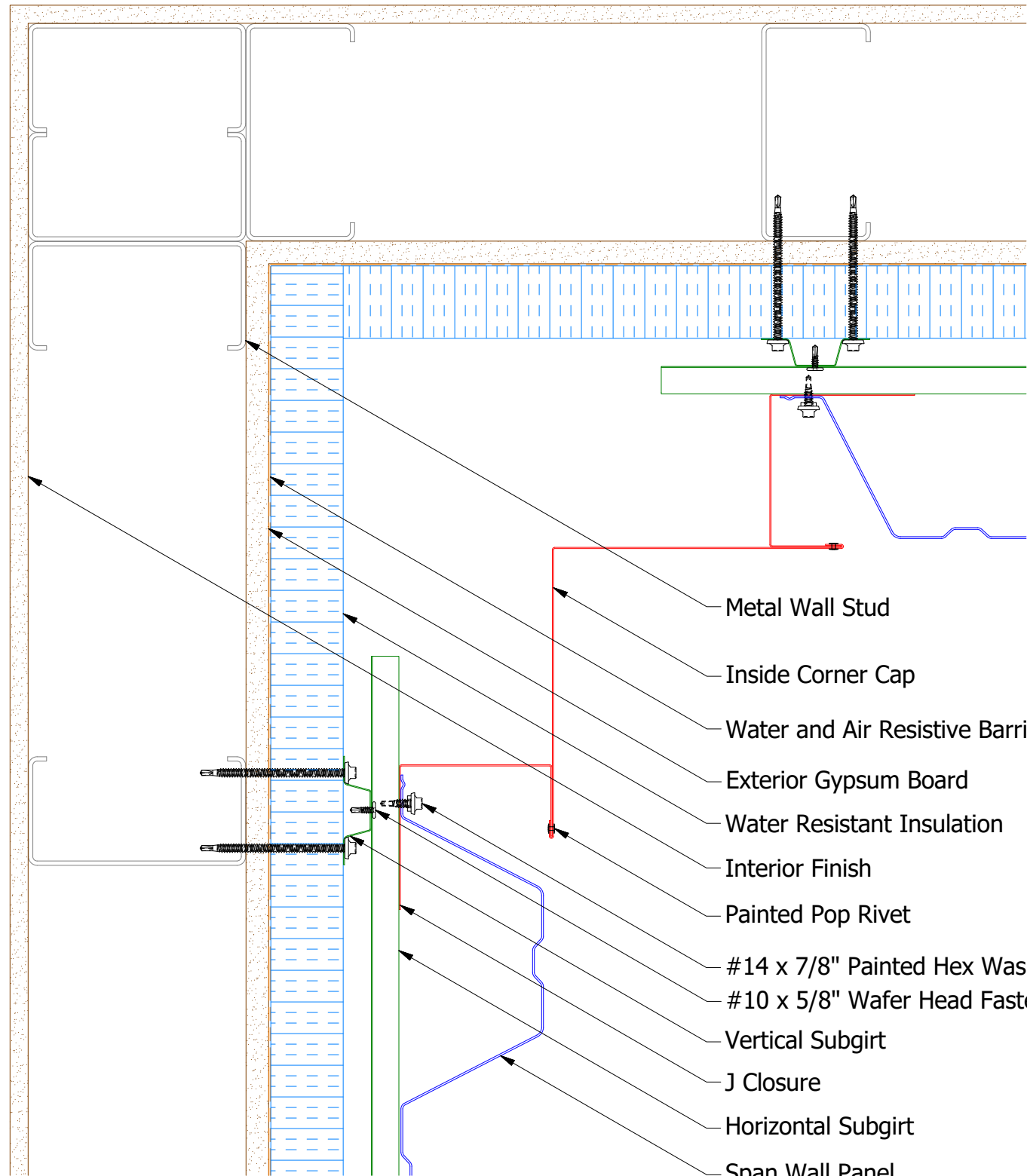
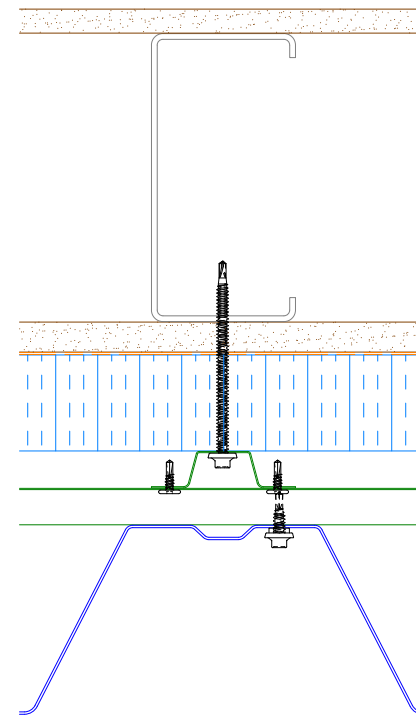


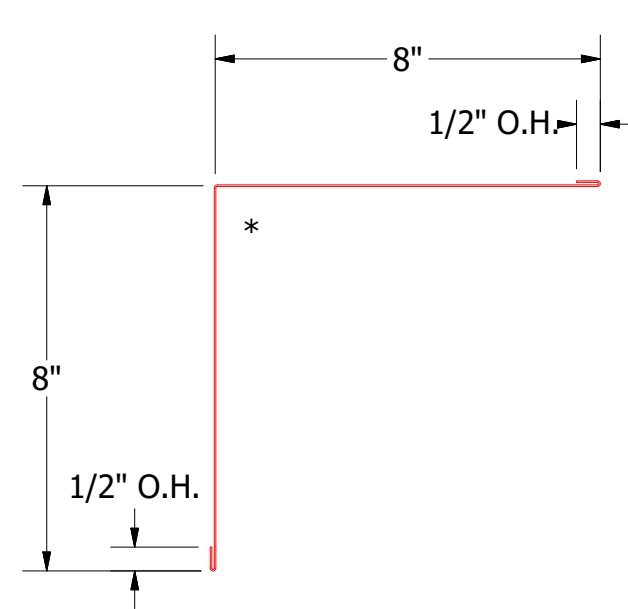
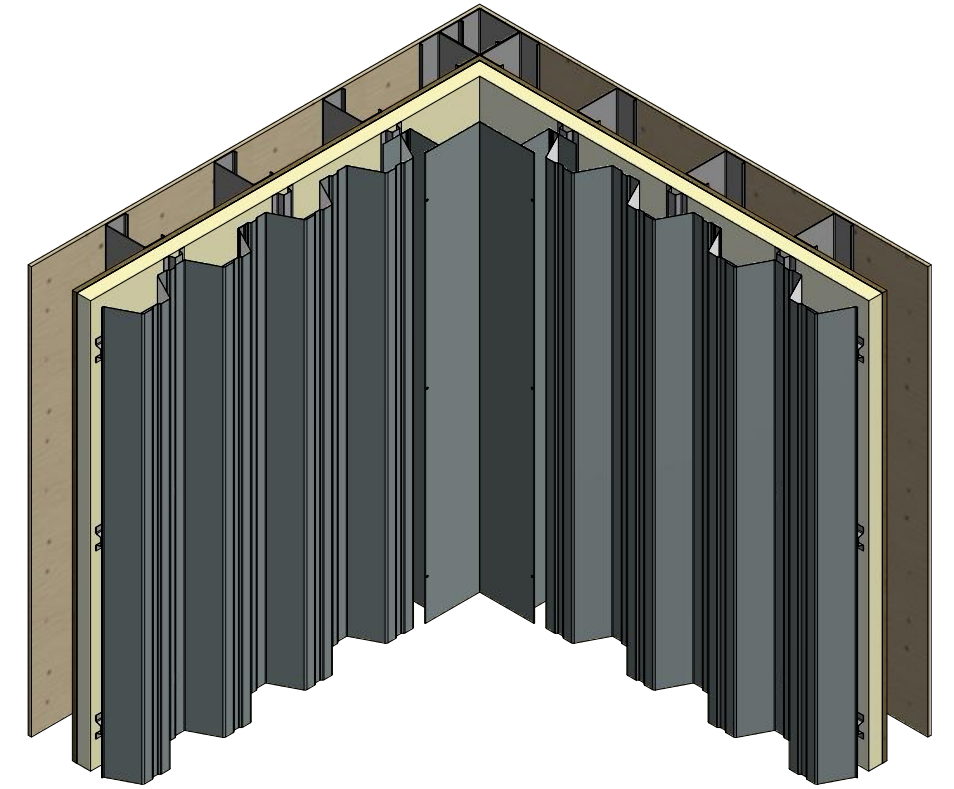
# Vertical Panel



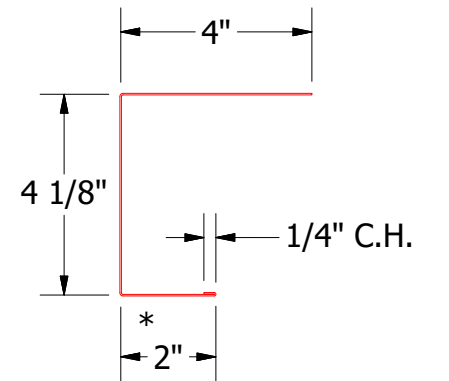
- Metal Wall Stud
- Inside Corner Cap
- Water and Air Resistive Barrier
- Exterior Gypsum Board
- Water Resistant Insulation
- Interior Finish
- Painted Pop Rivet
- #14 x 7/8" Painted Hex Washer Head Fastener with Washer
- #10 x 5/8" Wafer Head Fastener
- Vertical Subgirt
- J Closure
- Horizontal Subgirt
- Span Wall Panel



Alternate Subgirt Orientation



BSA600-Inside Corner Cap



BSA140-J Channel

## 2 Stage Method of Weather Proofing

**ATAS** ATAS INTERNATIONAL, INC  
 Allentown PA  
 610-395-8445  
 Mesa AZ  
 480-558-7210

TITLE <b>Span Wall Inside Corner Cap Detail</b>			
DWG. NO.	DR	DATE	3/6/2015
	KRK		
	APP	DATE	
MATERIAL	SH. SIZE	B	SCALE X:X

REV. NO.	DATE	DESCRIPTION OF REVISION	BY	APP