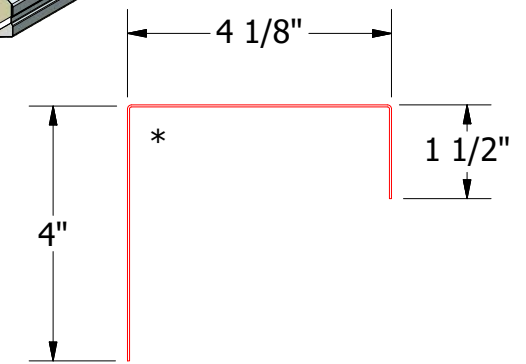
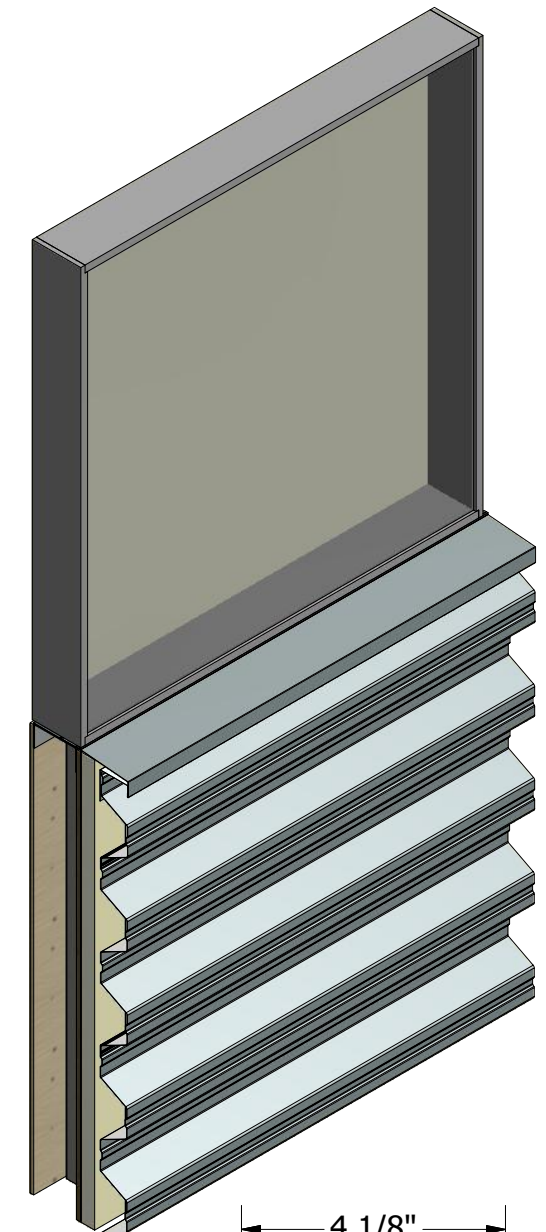
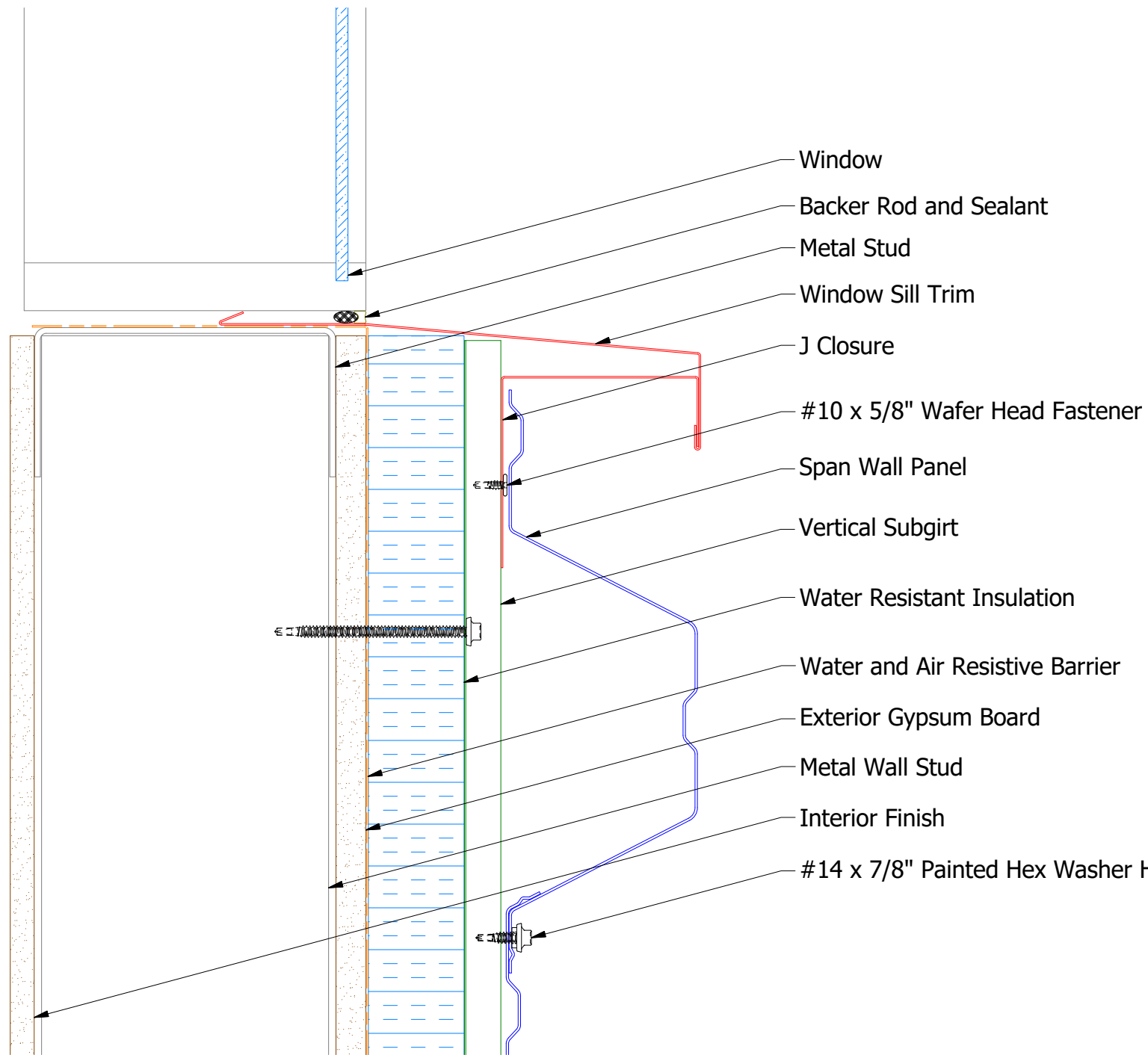


Horizontal Panel



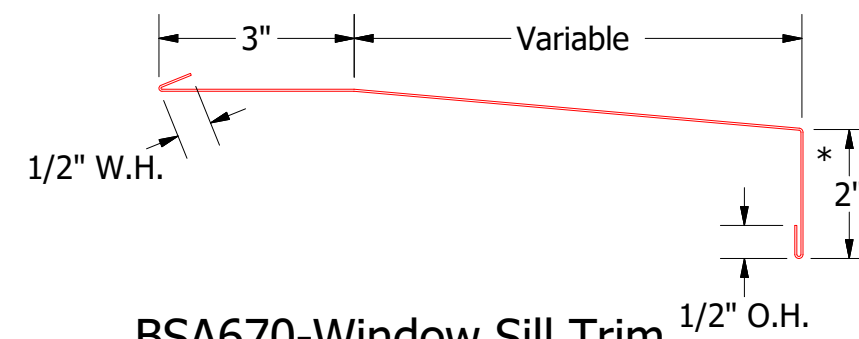
BSA270-J Closure

2 Stage Method of Weather Proofing



ATAS INTERNATIONAL, INC
 Allentown PA
 610-395-8445
 Mesa AZ
 480-558-7210

TITLE		Span Wall Window Sill Detail	
DWG. NO.	DR	DATE	3/9/2015
	KRK	DATE	
MATERIAL	APP	SH. SIZE	B
		SCALE	X:X



BSA670-Window Sill Trim

REV. NO.	DATE	DESCRIPTION OF REVISION	BY	APP