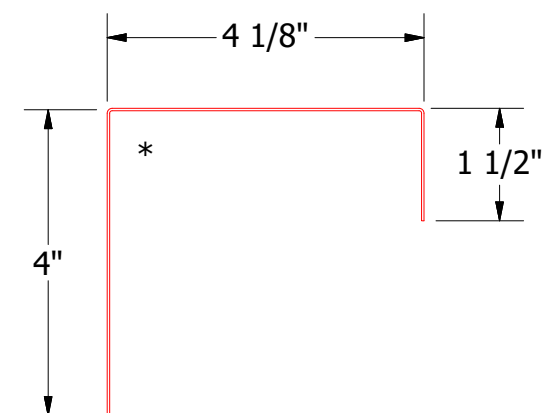
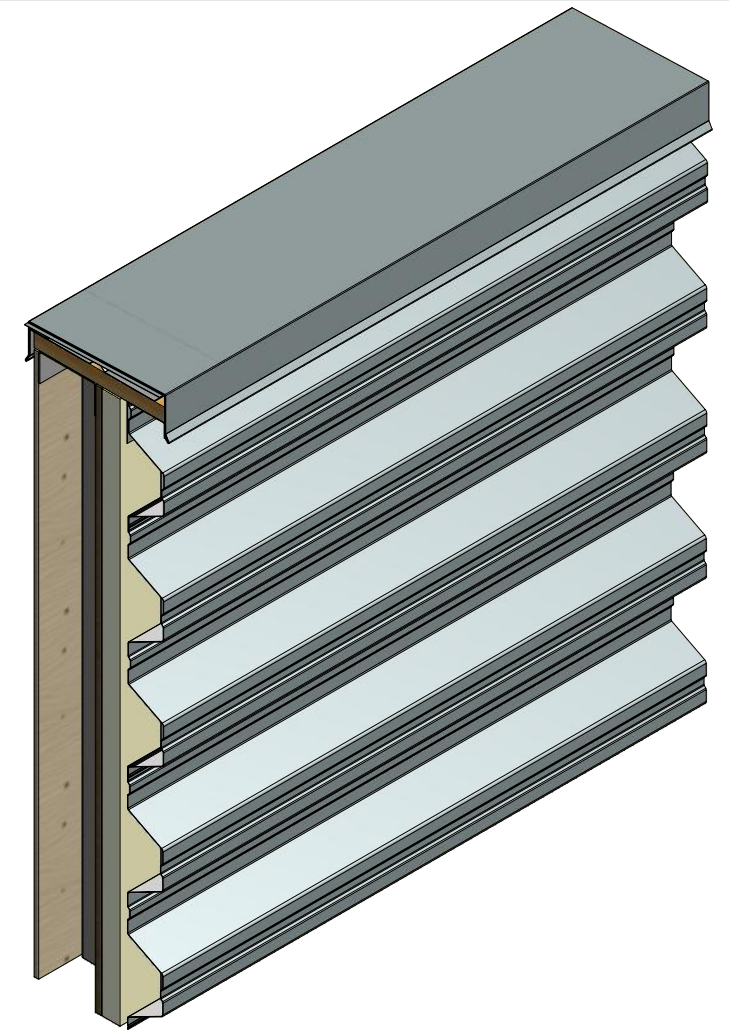
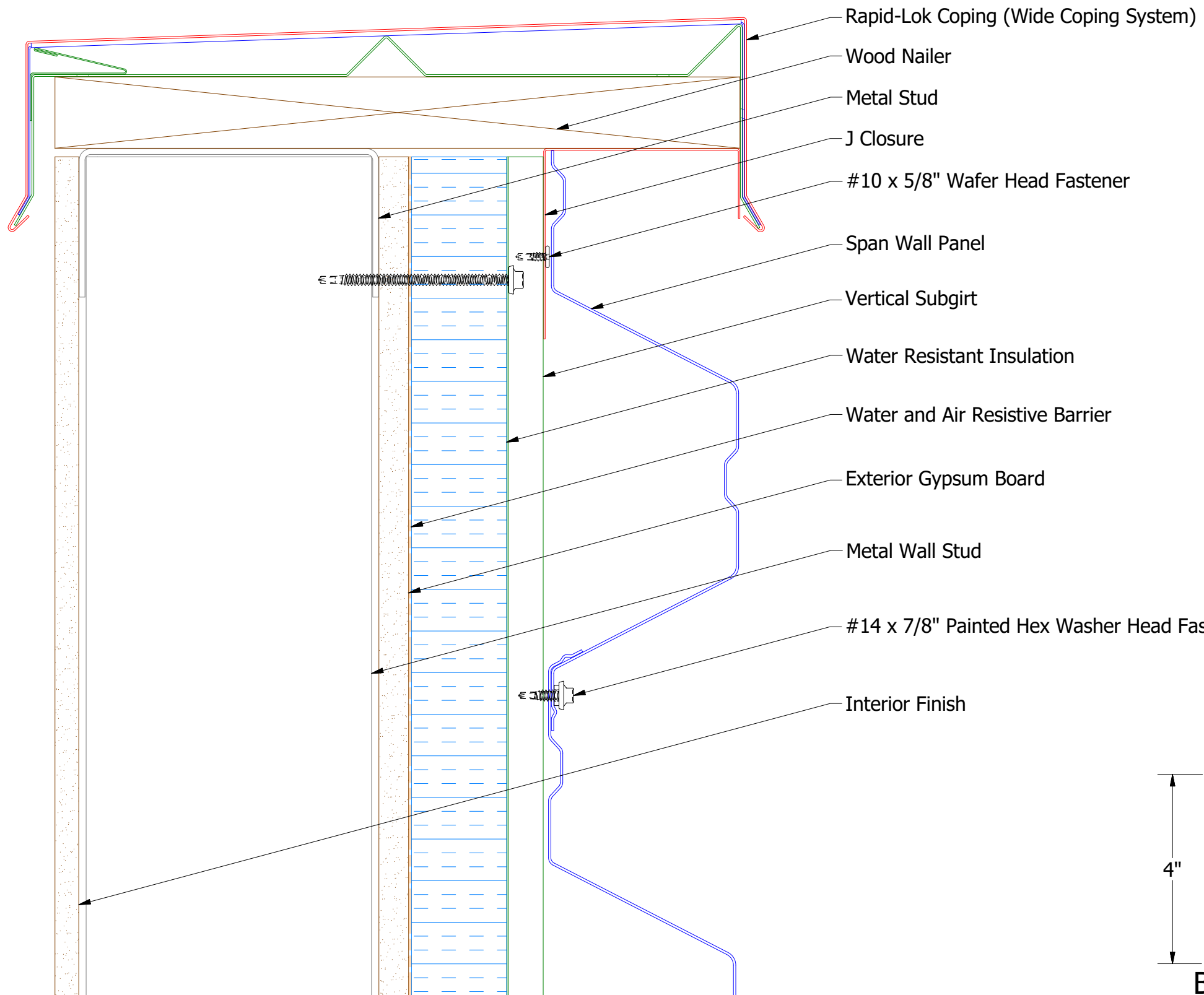


Horizontal Panel



BSA270-J Closure

2 Stage Method of Weather Proofing


ATAS INTERNATIONAL, INC
 Allentown PA
 610-395-8445
 Mesa AZ
 480-558-7210

TITLE Span Wall Top of Wall Detail

REV. NO.	DATE	DESCRIPTION OF REVISION	BY	APP	DWG. NO.	DR	KRK	DATE	3/9/2015
						APP		DATE	
					MATERIAL	SH. SIZE	B	SCALE	X:X