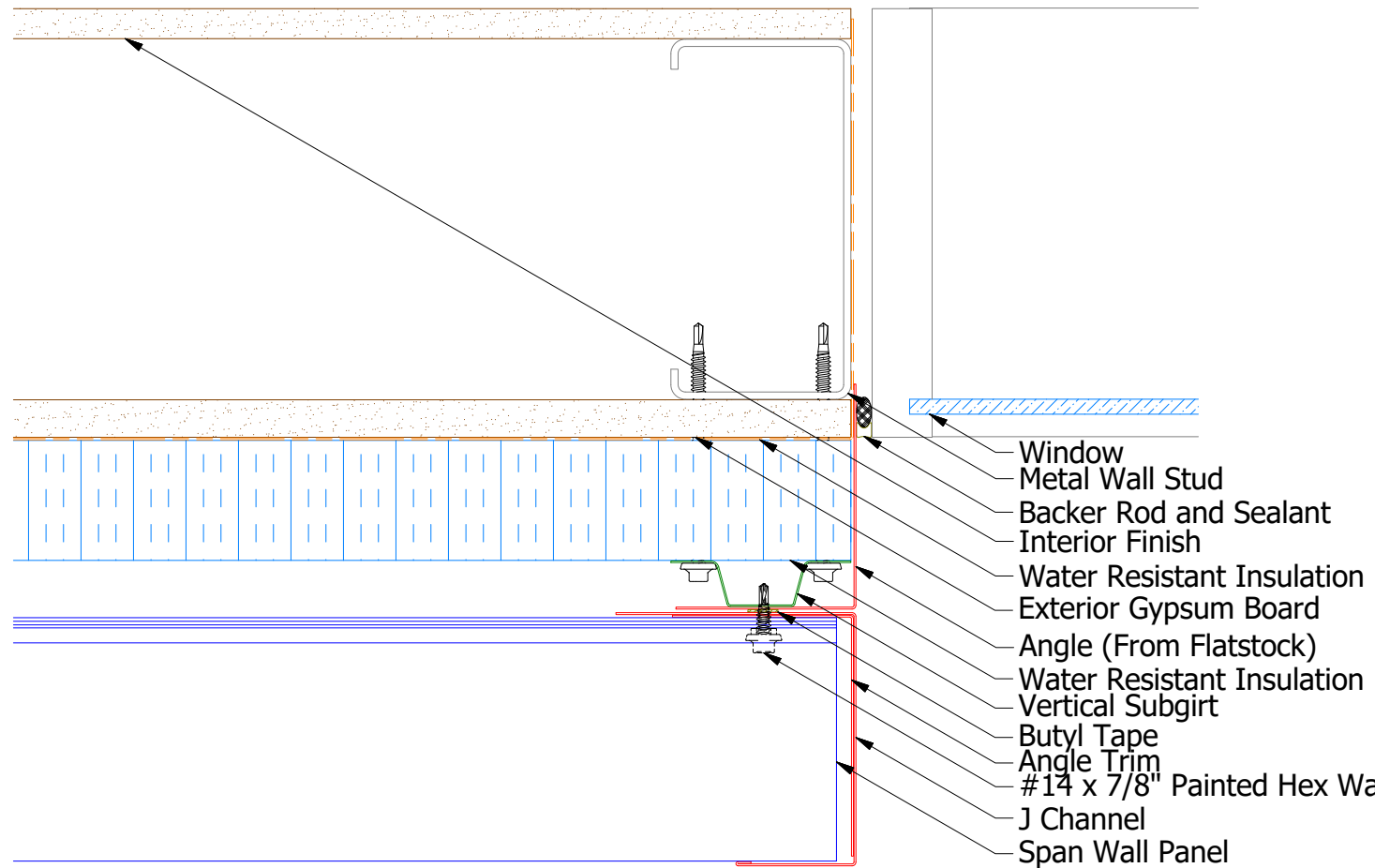
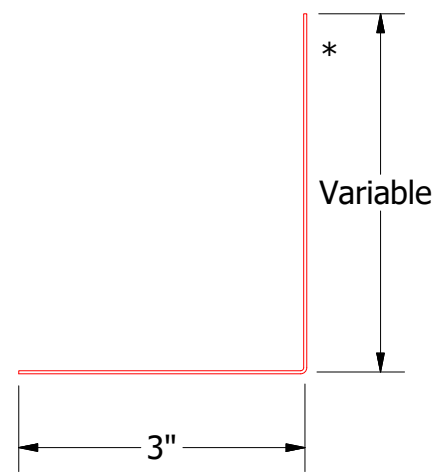
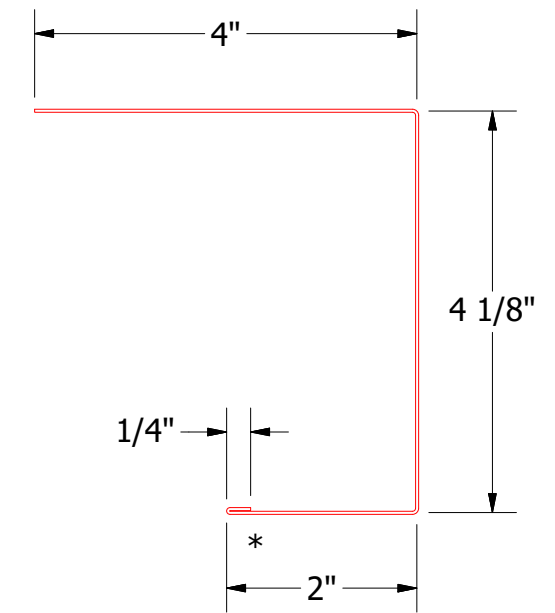
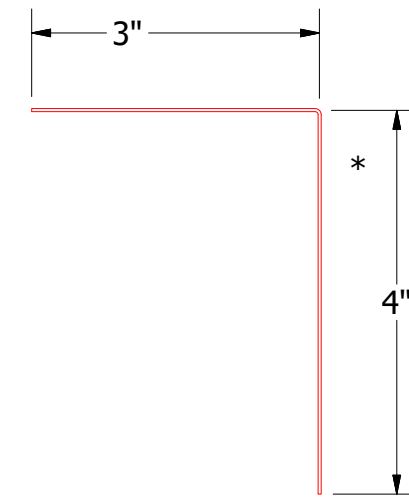
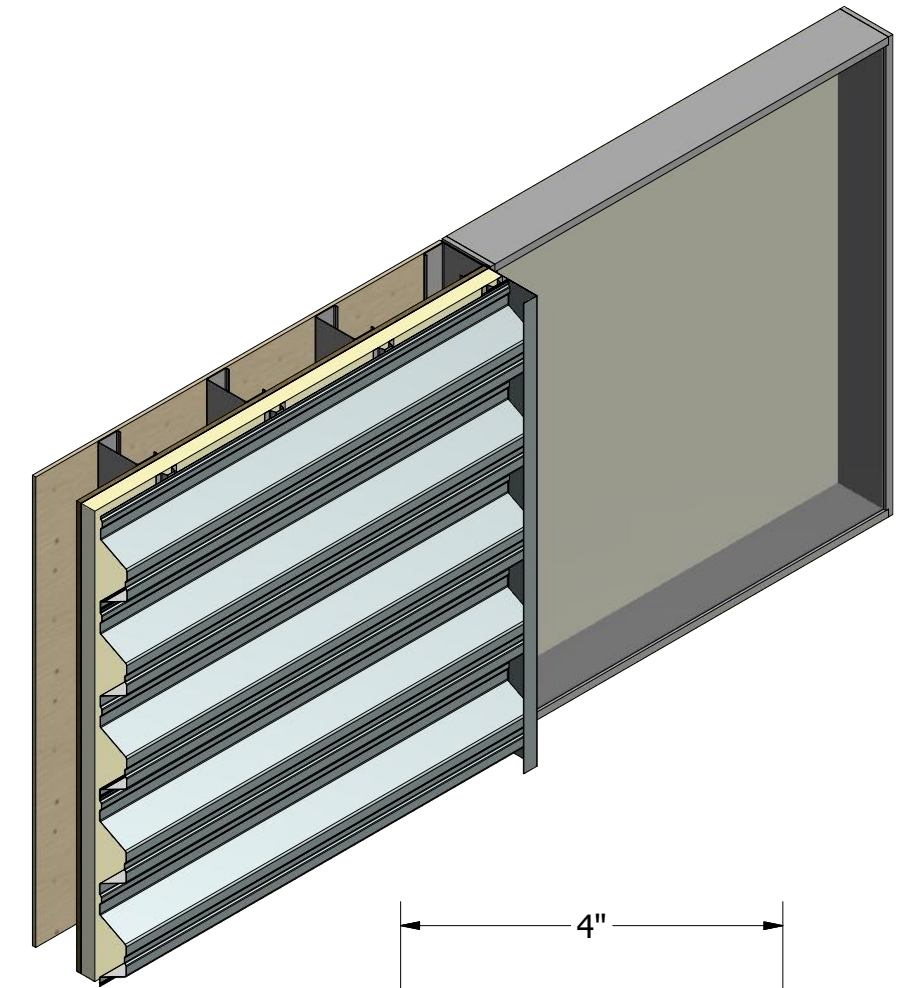
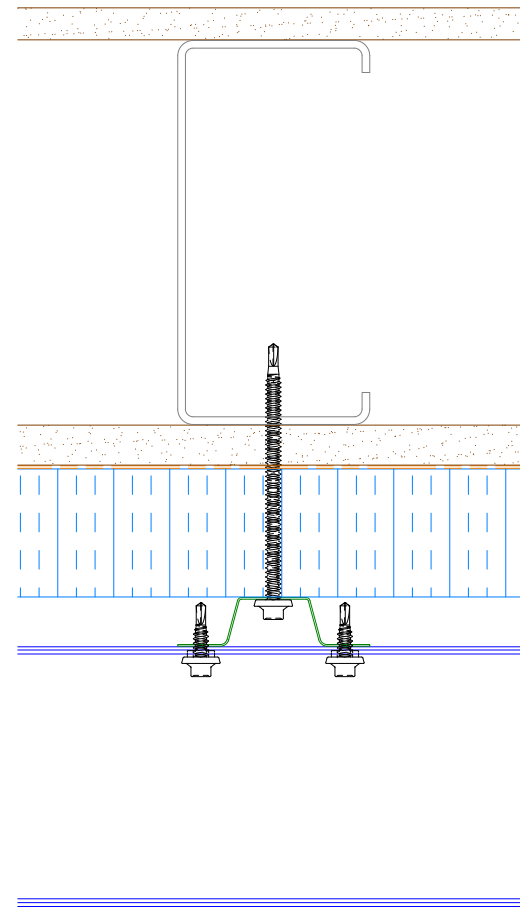


Horizontal Panel



Alternative Subgirt Orientation



Angle

BSA140-J Channel

BSA680-Angle Trim

2 Stage Method of Weather Proofing

ATAS ATAS INTERNATIONAL, INC
 Allentown PA
 610-395-8445
 Mesa AZ
 480-558-7210

Span Wall Jamb Detail

REV. NO.	DATE	DESCRIPTION OF REVISION	BY	APP	TITLE	DWG. NO.	DR	DATE
					Span Wall Jamb Detail		KRK	3/9/2015
							APP	DATE
							SH. SIZE	SCALE
							B	X:X

Note: * denotes color side.