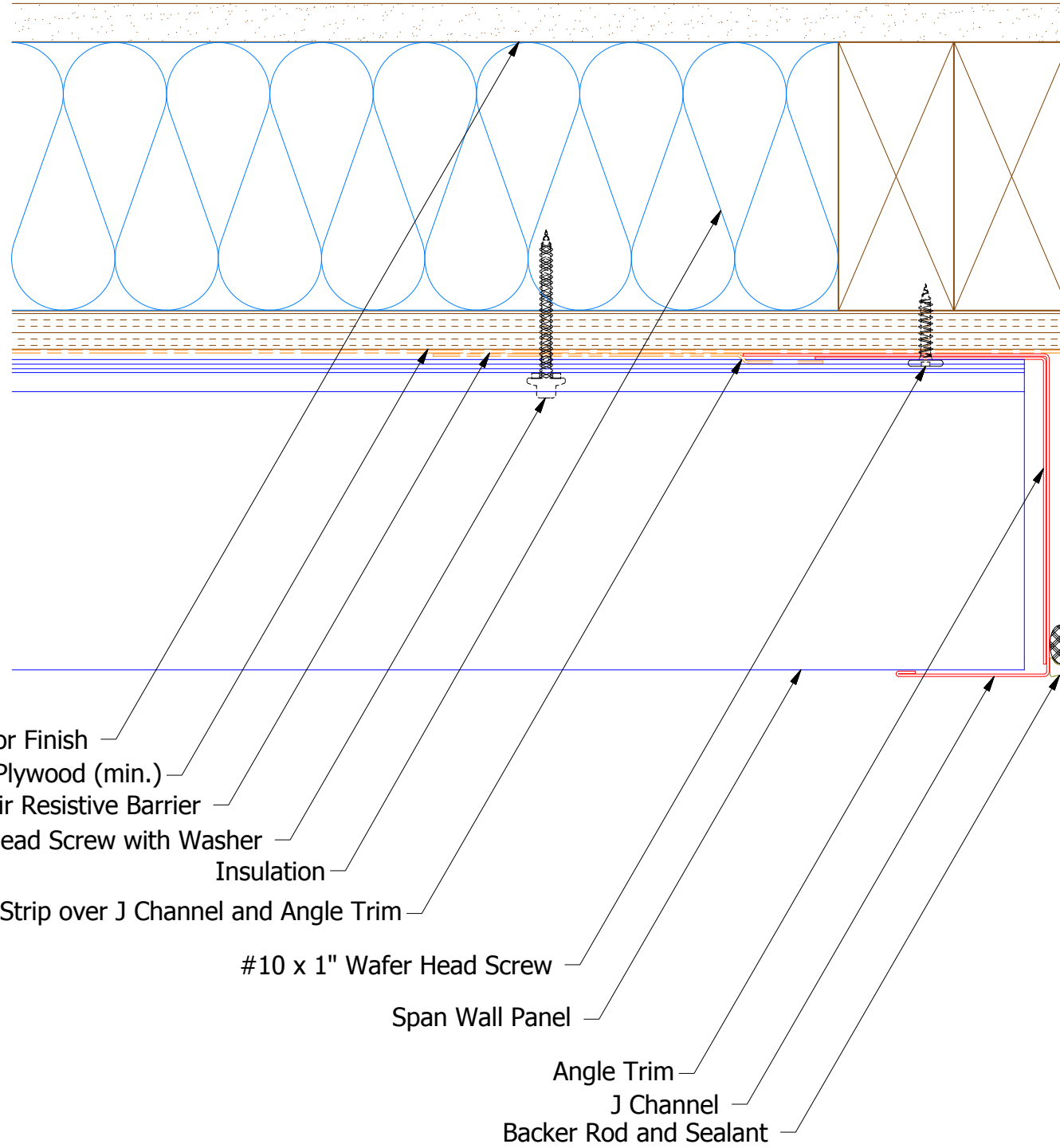
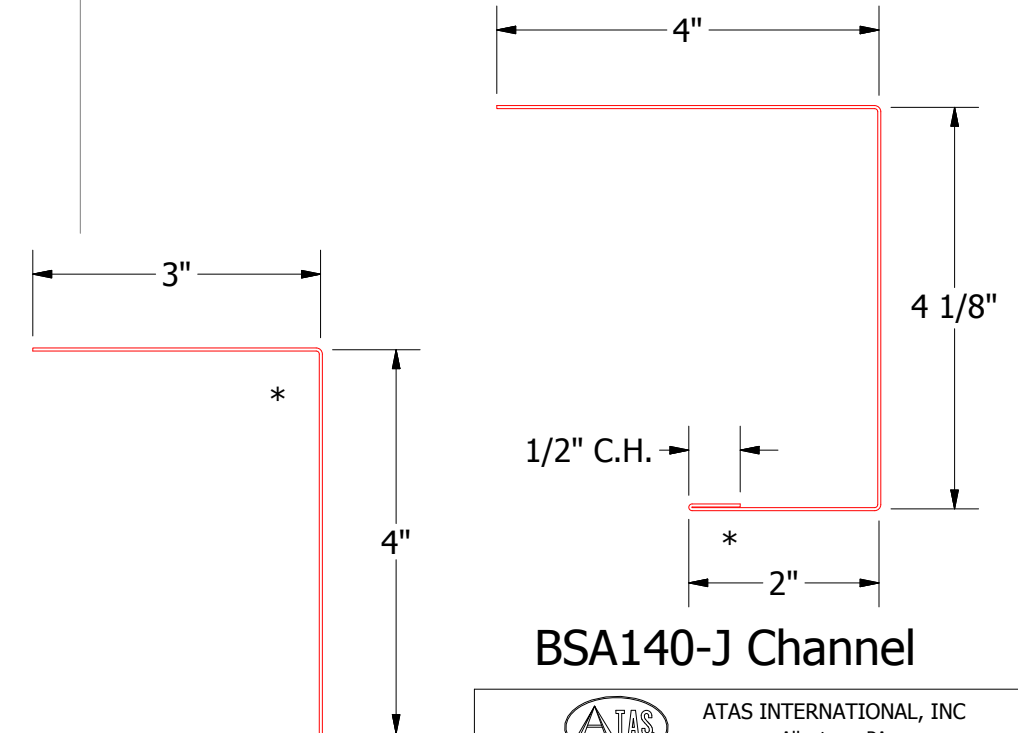
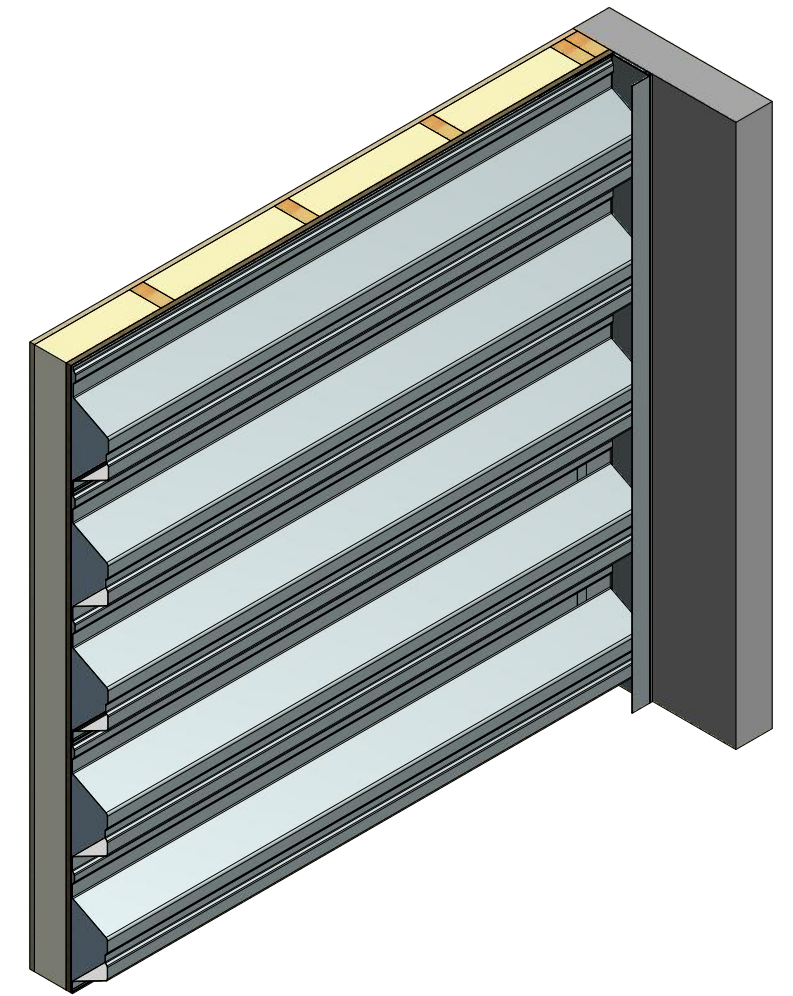


Horizontal Panel



- Interior Finish
- 1/2" Plywood (min.)
- Water and Air Resistive Barrier
- #10 x 2" Painted Hex Washer Head Screw with Washer
- Insulation
- Membrane Strip over J Channel and Angle Trim
- #10 x 1" Wafer Head Screw
- Span Wall Panel
- Angle Trim
- J Channel
- Backer Rod and Sealant



BSA680-Angle Trim

BSA140-J Channel



ATAS INTERNATIONAL, INC
 Allentown PA
 610-395-8445
 Mesa AZ
 480-558-7210

REV. NO.	DATE	DESCRIPTION OF REVISION	BY	APP	TITLE	DWG. NO.	DR	DATE
					Span Wall Endwall Detail		KRK	3/5/2015
							DAS	7/26/16
							SH. SIZE	B
							SCALE	X:X