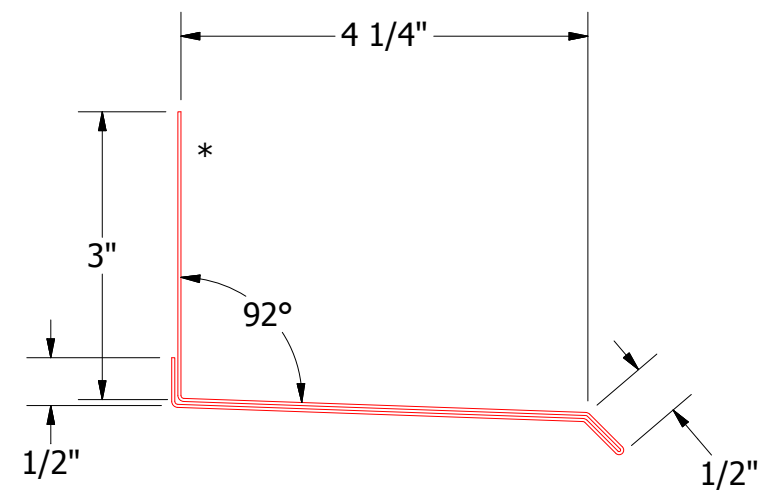
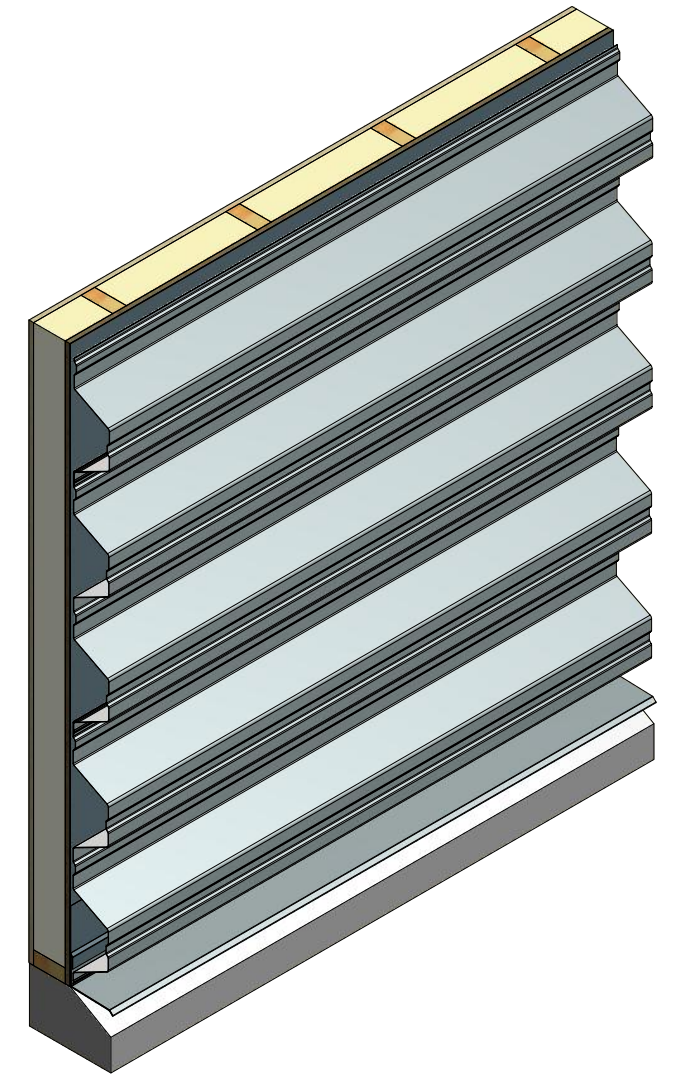
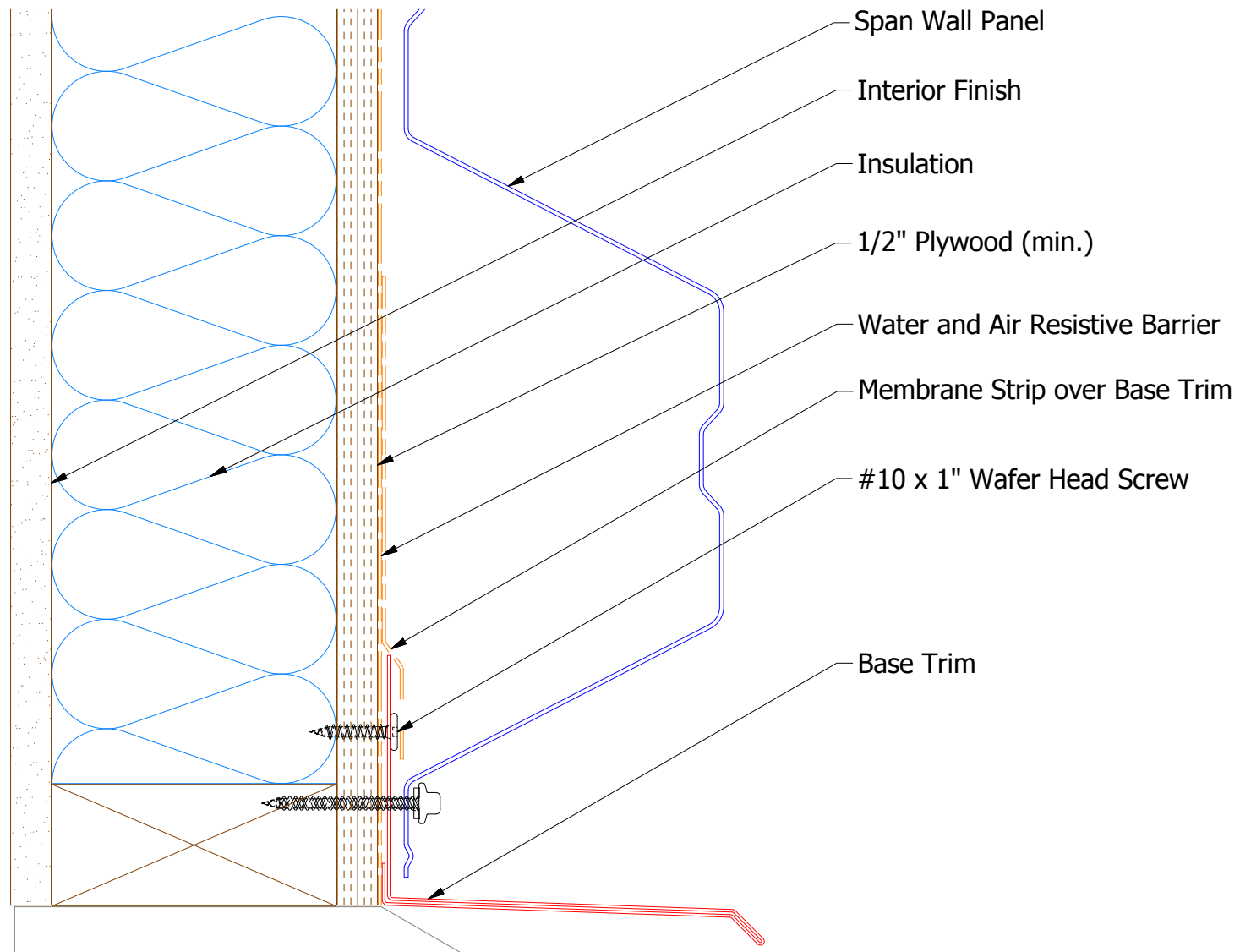


Horizontal Panel



BSA661-Base Trim



ATAS INTERNATIONAL, INC
 Allentown PA
 610-395-8445
 Mesa AZ
 480-558-7210

Span Wall Base Detail

REV. NO.	DATE	DESCRIPTION OF REVISION	BY	APP	TITLE	DWG. NO.	DR	DATE
					Span Wall Base Detail		KRK	3/2/2015
						APP	DAS	DATE
						SH. SIZE	B	SCALE