

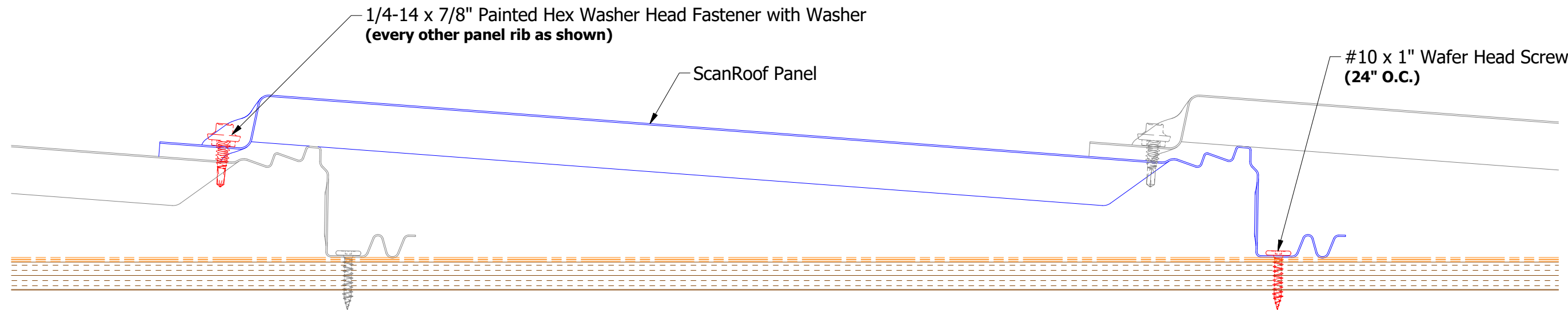
Stagger Stitch Screws from Panel to Panel as shown.



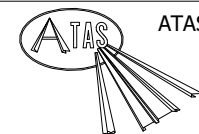
1/4-14 x 7/8" Painted Hex Washer Head Fastener with Washer  
(every other panel rib as shown)

ScanRoof Panel

#10 x 1" Wafer Head Screw  
(24" O.C.)



Fasten Panel with Stitch Screw first to secure Panel alignment.

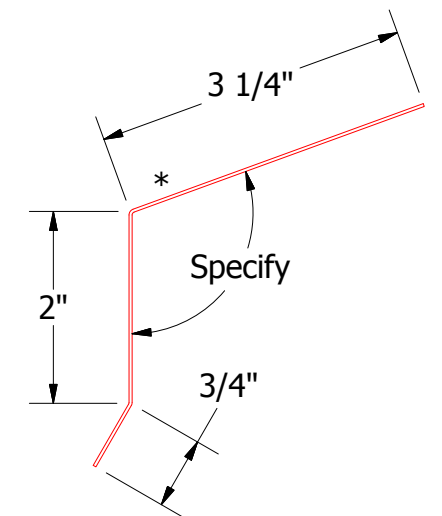
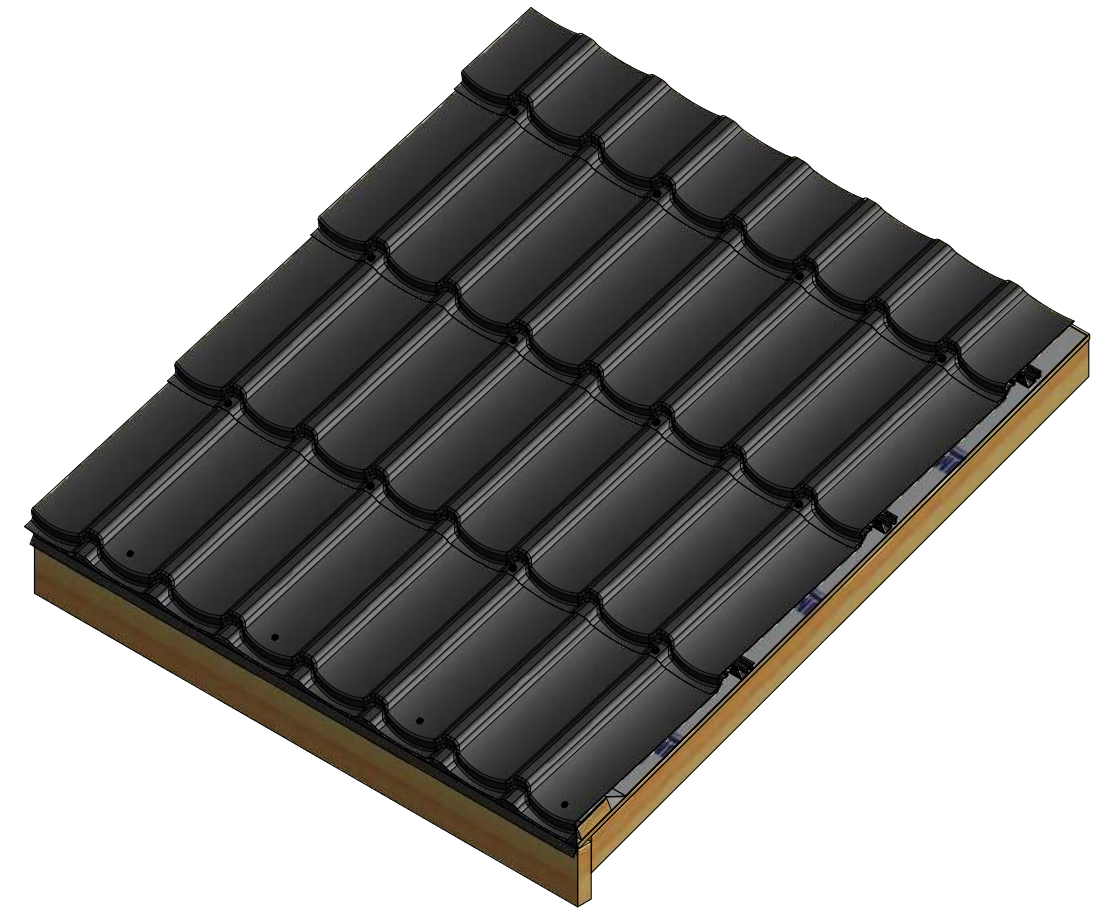
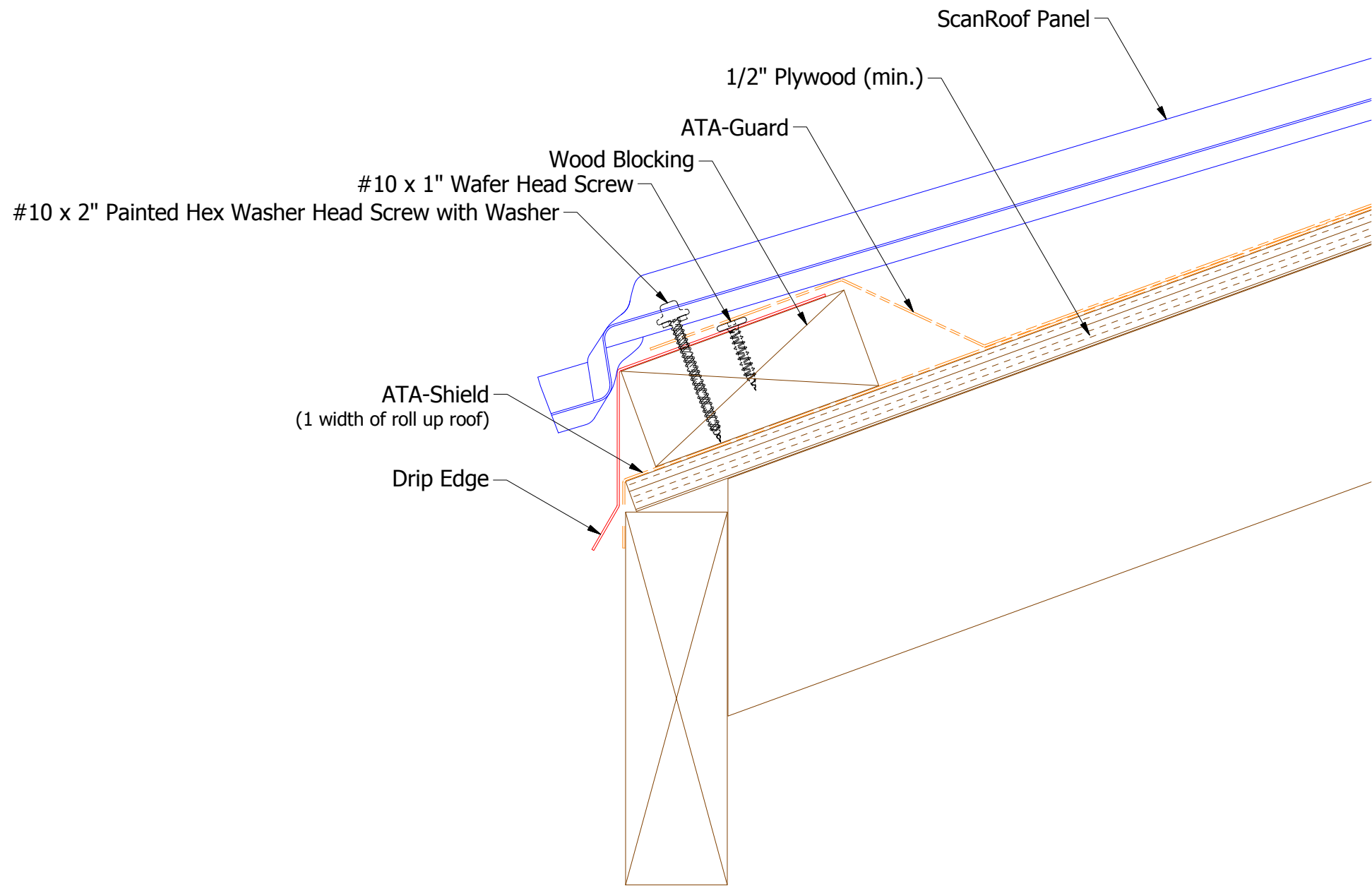


ATAS INTERNATIONAL, INC  
Allentown PA  
610-395-8445  
Mesa AZ  
480-558-7210

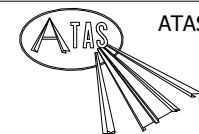
TITLE ScanRoof Fastening Pattern Detail

Note: Fastener Spacing is generic, contact ATAS with Job Specifics to obtain actual Fastener Spacing.

					DWG. NO.	DR	KRK	DATE	4/17/2018
01	5/18/2021	Added note about order of Fastening and Fastener Spacing.	KRK	APP	MATERIAL			DATE	
REV. NO.	DATE	DESCRIPTION OF REVISION	BY	APP	SH. SIZE	B	SCALE	X:X	



**SCA175-Drip Edge**



**ATAS INTERNATIONAL, INC**  
 Allentown PA  
 610-395-8445  
 Mesa AZ  
 480-558-7210

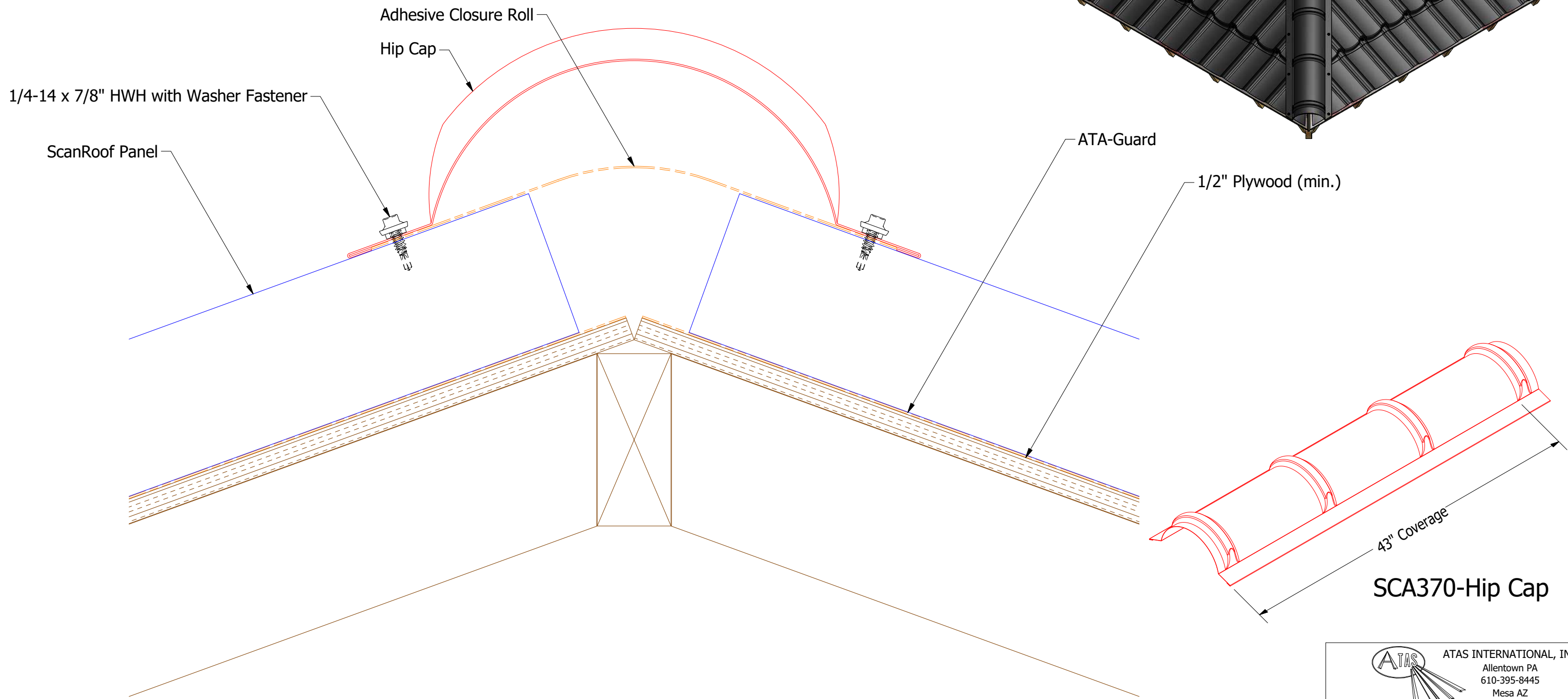
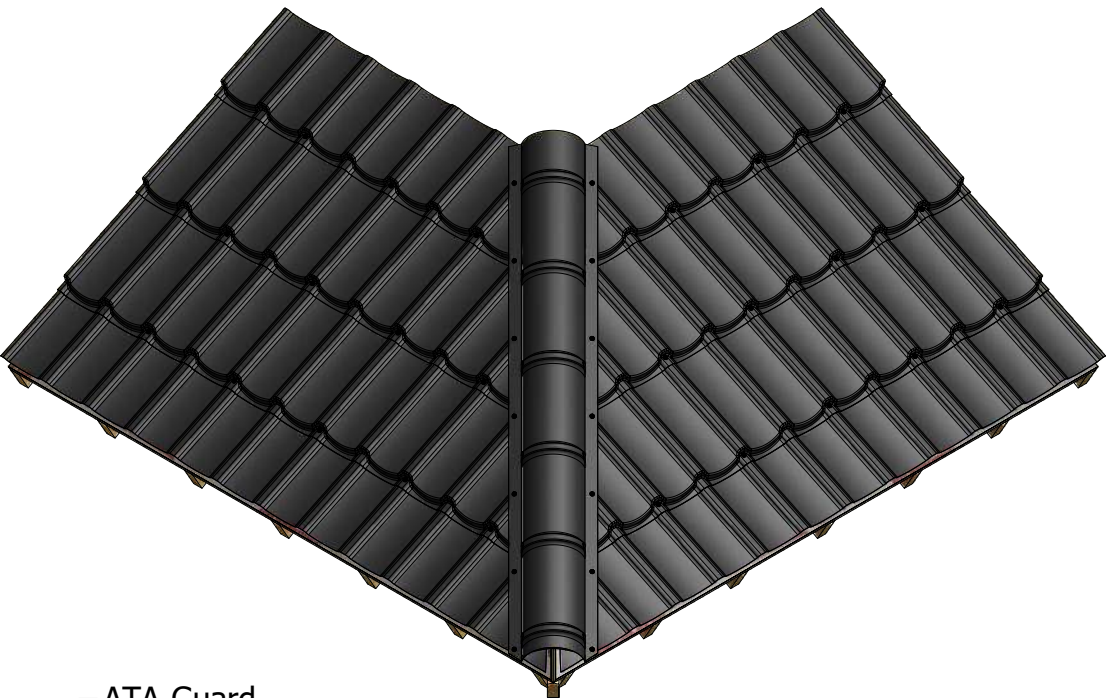
**ScanRoof Eave Detail**

TITLE				ScanRoof Eave Detail	
DWG. NO.		DR		DATE	
		KRK		12/17/2014	
REV. NO.		APP		DATE	
01		4/17/2018			
DATE		DESCRIPTION OF REVISION		BY	
		Updated Substrate		KRK	
				APP	
				SH. SIZE	
				B	
				SCALE	
				X:X	

Note: \* denotes color side.



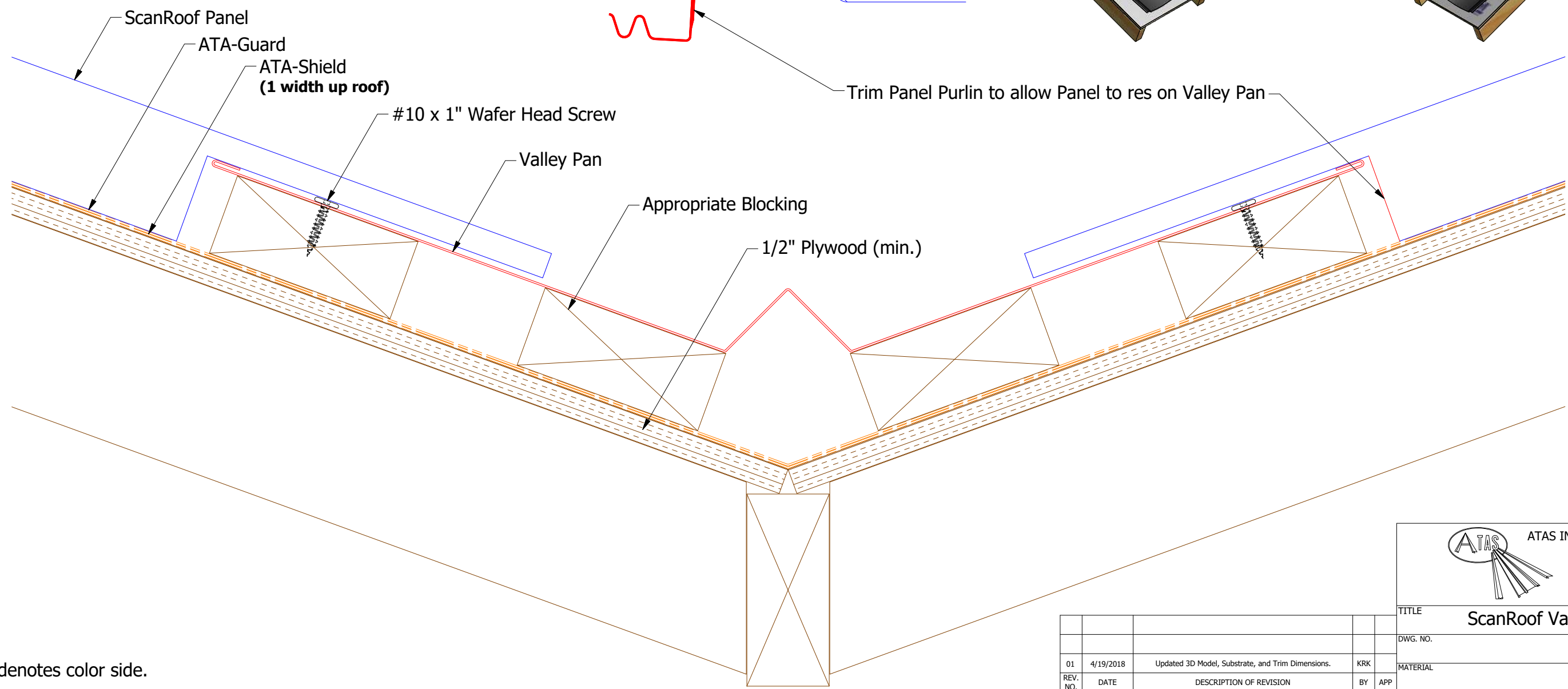
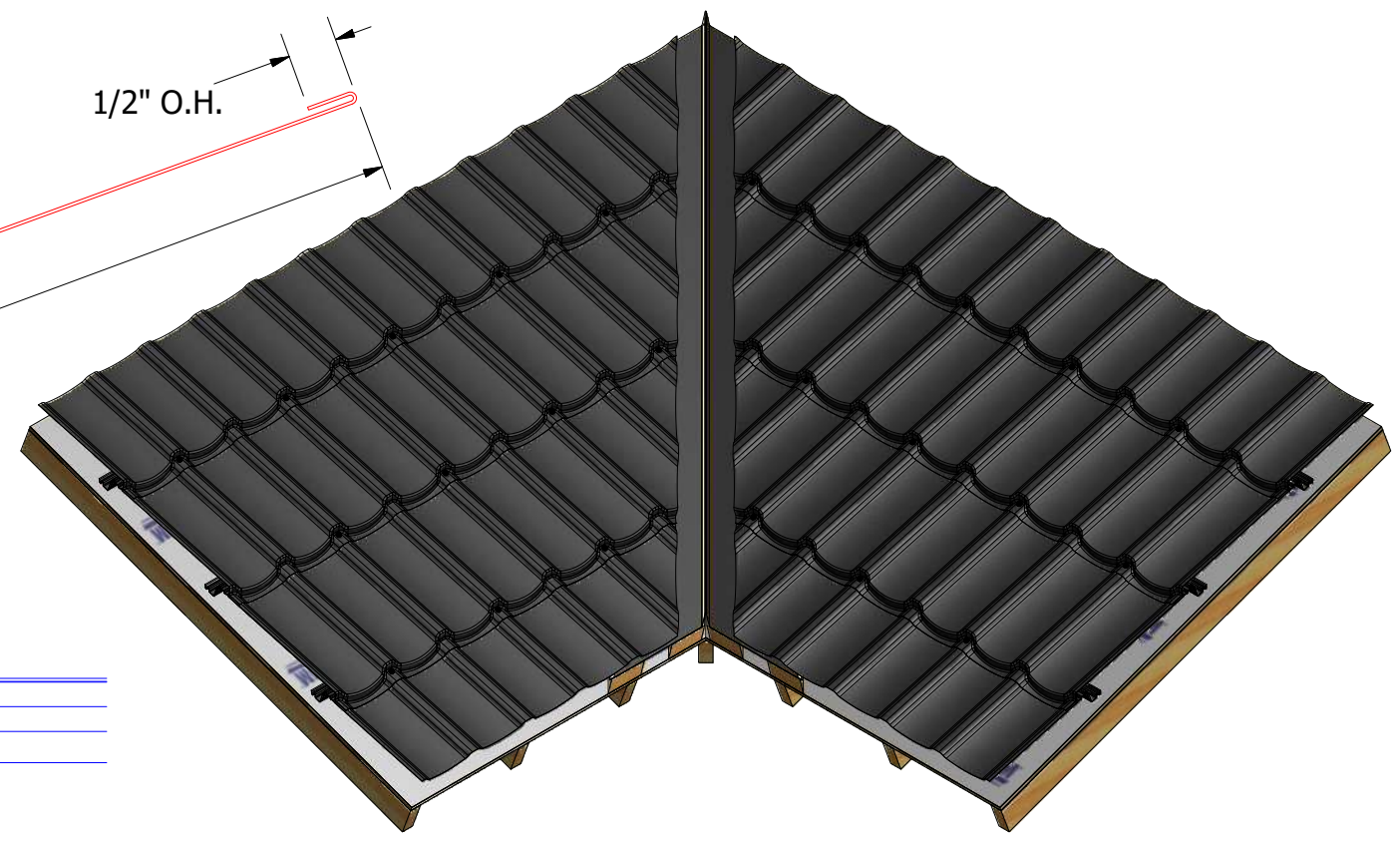
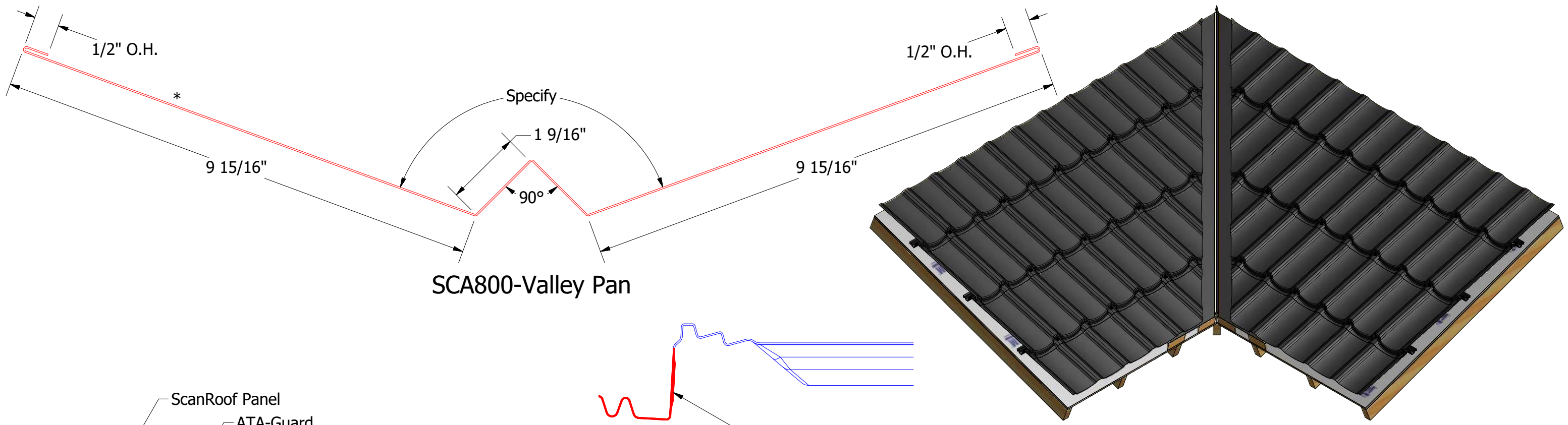




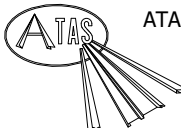
**Note:** Press Adesive Closure Roll down into Panel Profile for a better seal.

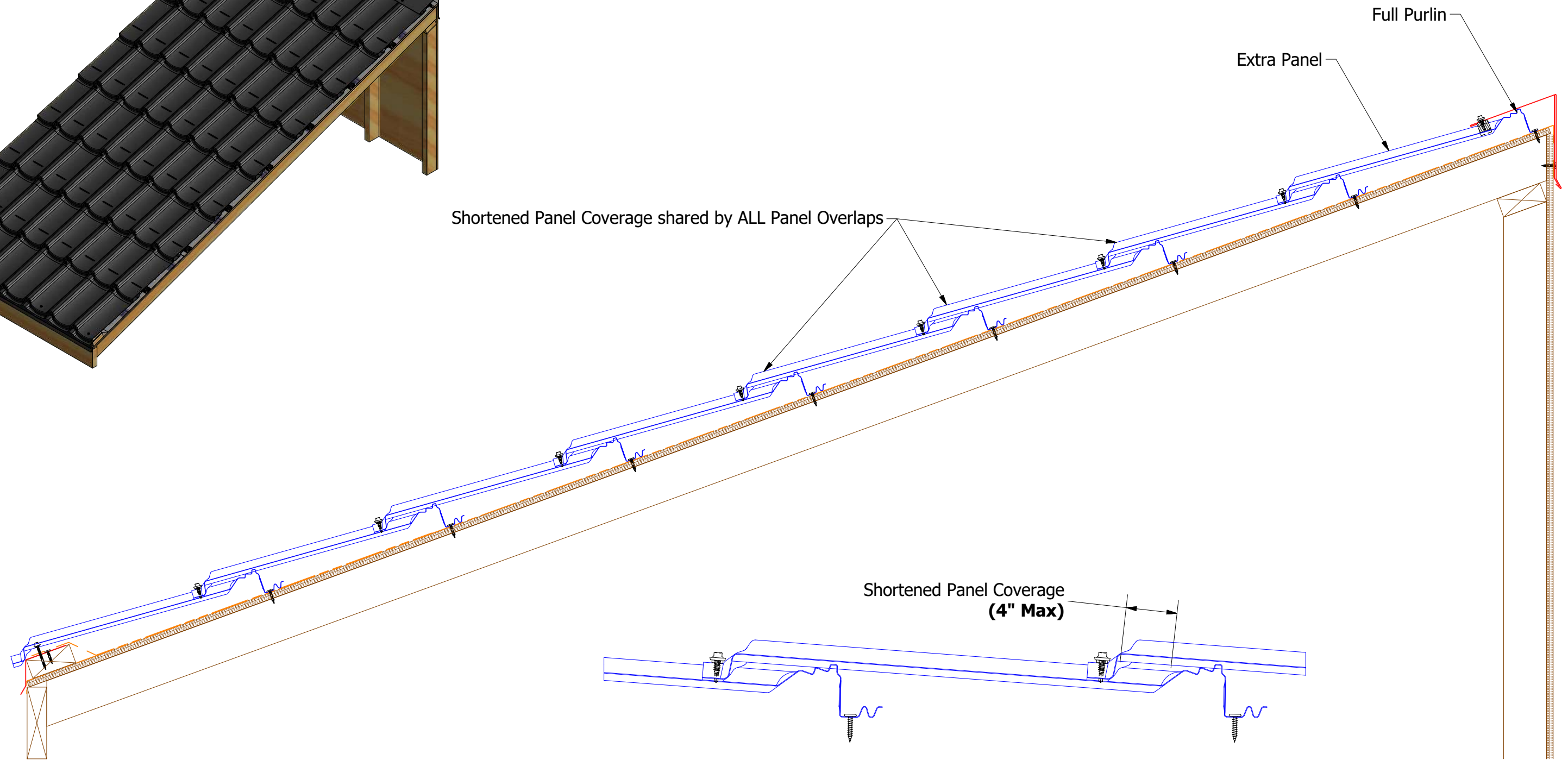
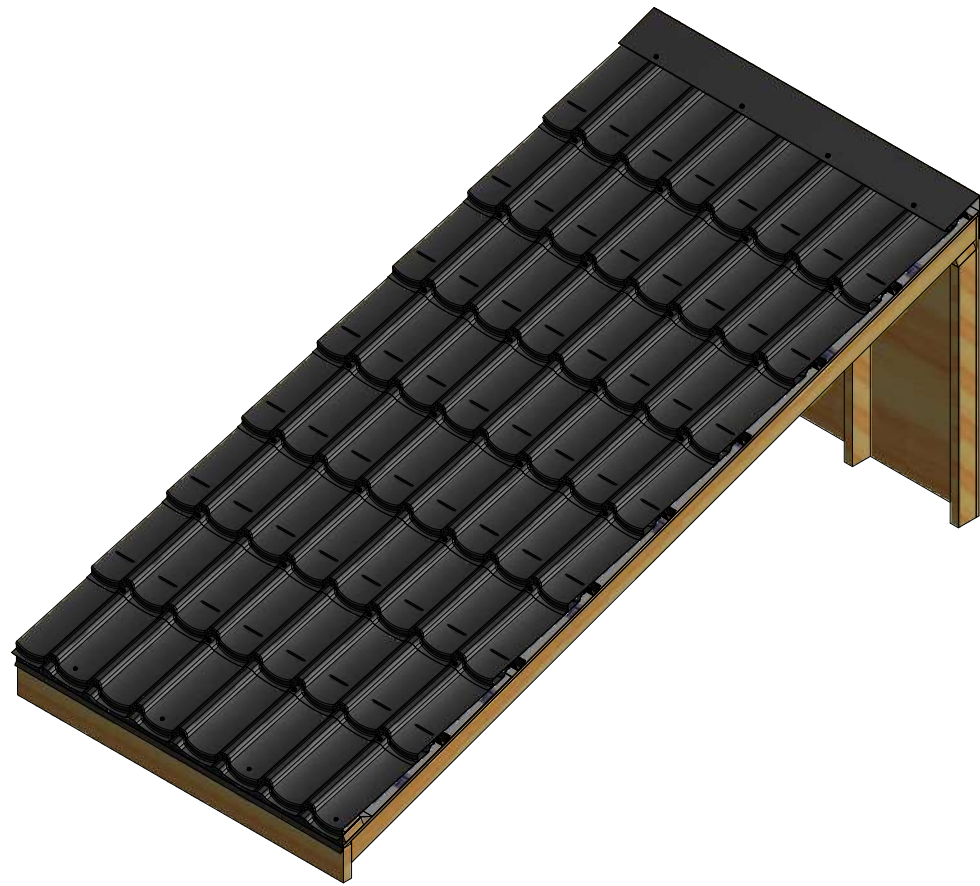

**ATAS INTERNATIONAL, INC**  
 Allentown PA  
 610-395-8445  
 Mesa AZ  
 480-558-7210

				TITLE		ScanRoof Hip Detail	
02	5/18/2021	Updated Stitch Screw Description.	KRK	DWG. NO.	DR	KRK	DATE 12/17/2014
01	4/18/2018	Updated Substrate	KRK	MATERIAL	APP		DATE
REV. NO.	DATE	DESCRIPTION OF REVISION	BY	APP	SH. SIZE	B	SCALE X:X



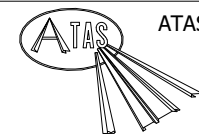
Note: \* denotes color side.

 <b>ATAS INTERNATIONAL, INC</b> Allentown PA 610-395-8445 Mesa AZ 480-558-7210			
TITLE		<b>ScanRoof Valley Detail</b>	
DWG. NO.	DR	DATE	
	KRK	12/18/2014	
REV. NO.	APP	DATE	
01			
DATE	DESCRIPTION OF REVISION	BY	APP
4/19/2018	Updated 3D Model, Substrate, and Trim Dimensions.	KRK	
		SH. SIZE	SCALE
		B	X:X



Panel at less then Maximum Coverage

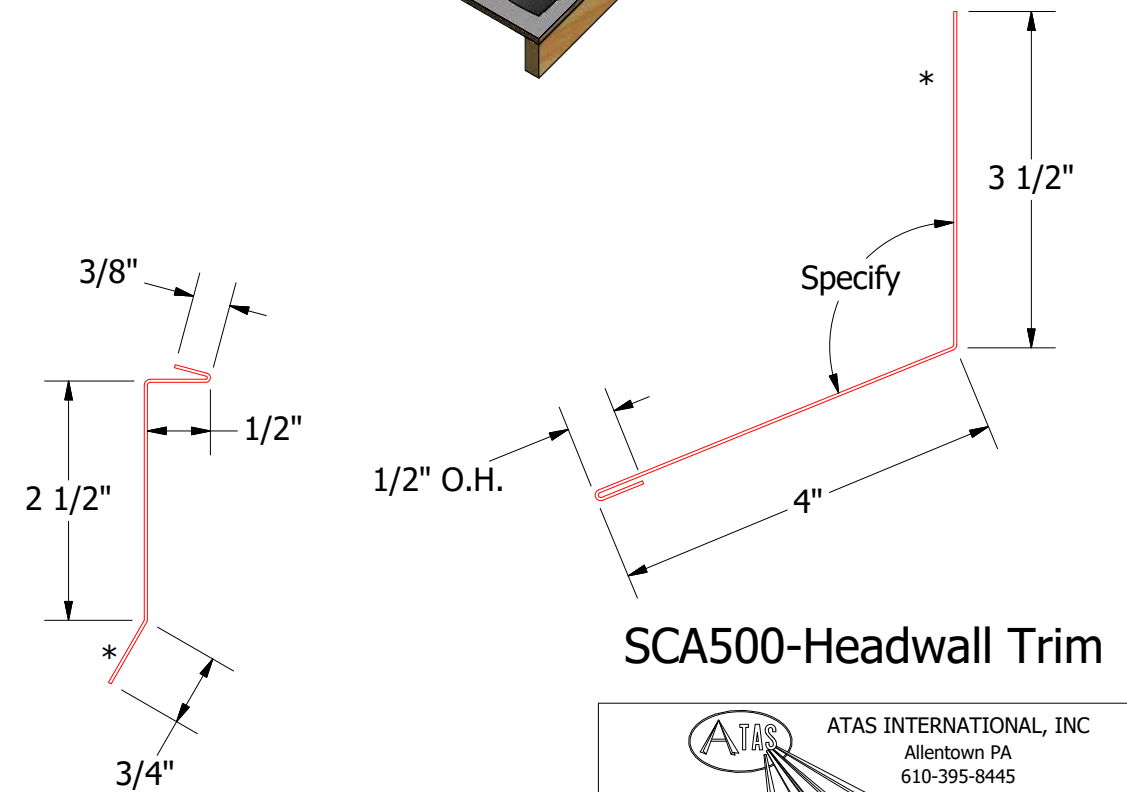
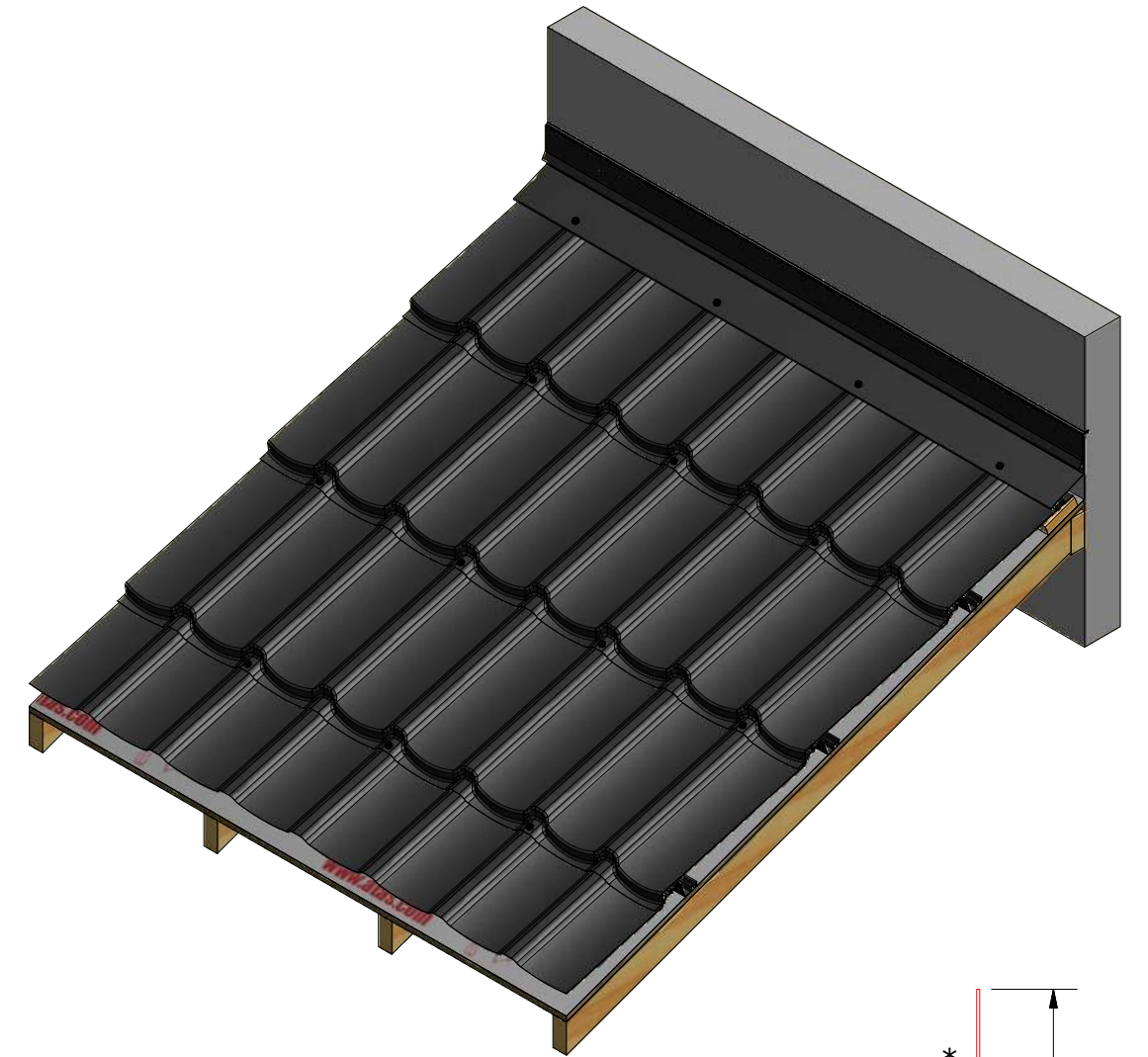
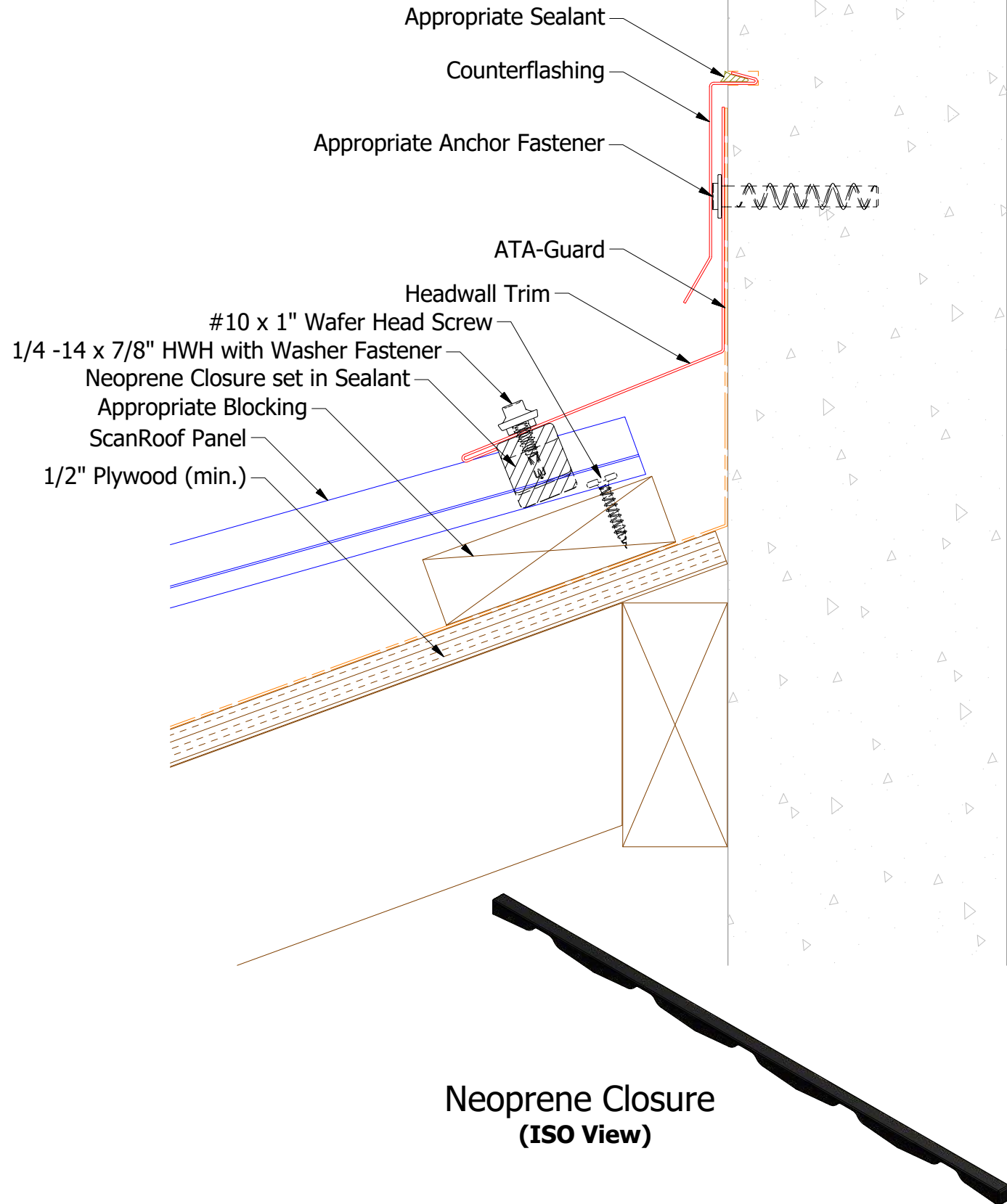
**Note:** In order to end the panel on full purlin, the panel coverage is able to be shortened and another panel added.



ATAS INTERNATIONAL, INC  
 Allentown PA  
 610-395-8445  
 Mesa AZ  
 480-558-7210

TITLE ScanRoof Ending on Purlin Detail

					DWG. NO.	DR	KRK	DATE	12/29/2014
01	4/17/2018	Updated Substrate	KRK		MATERIAL	APP		DATE	
REV. NO.	DATE	DESCRIPTION OF REVISION	BY	APP	SH. SIZE	B	SCALE	X:X	

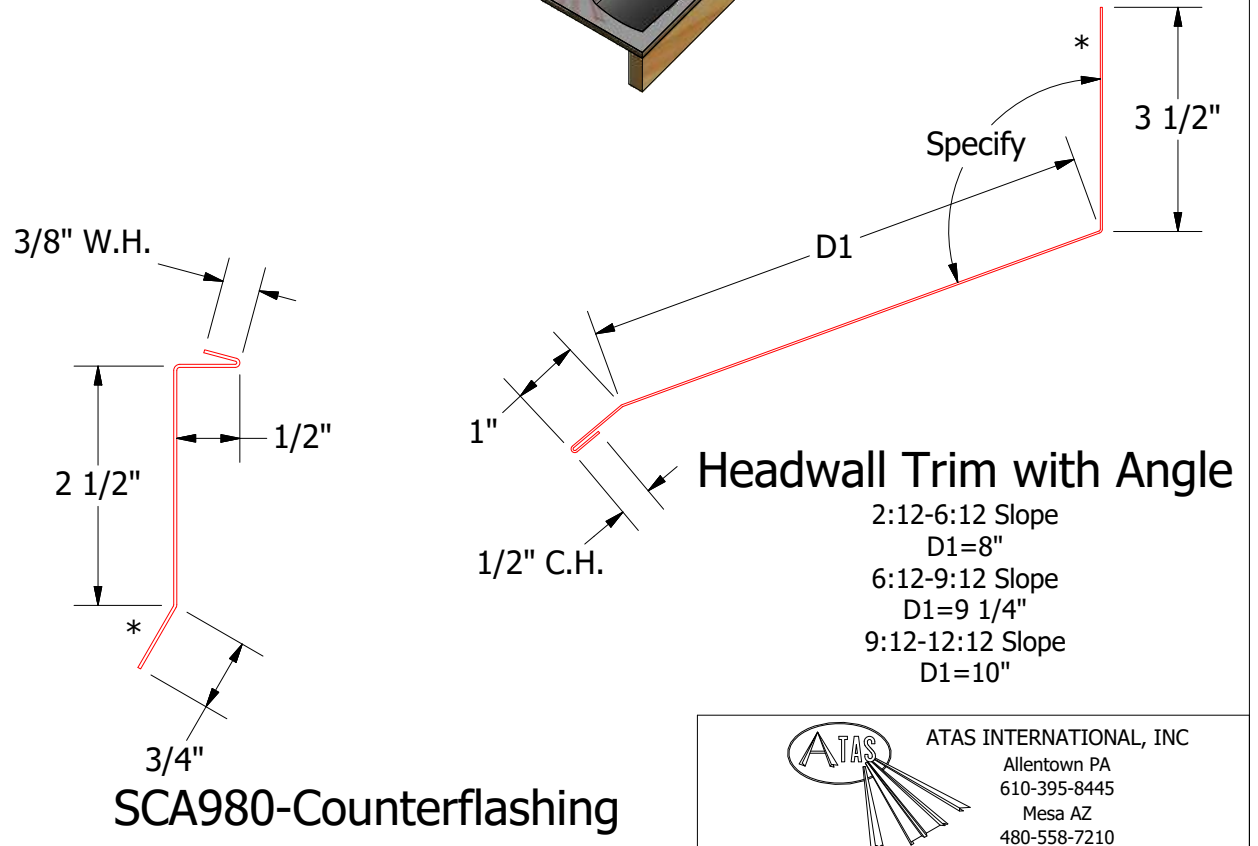
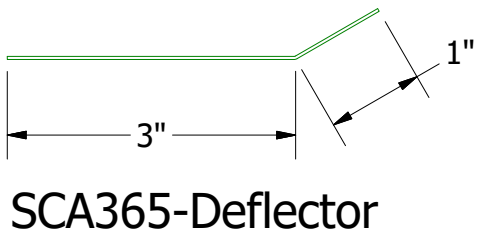
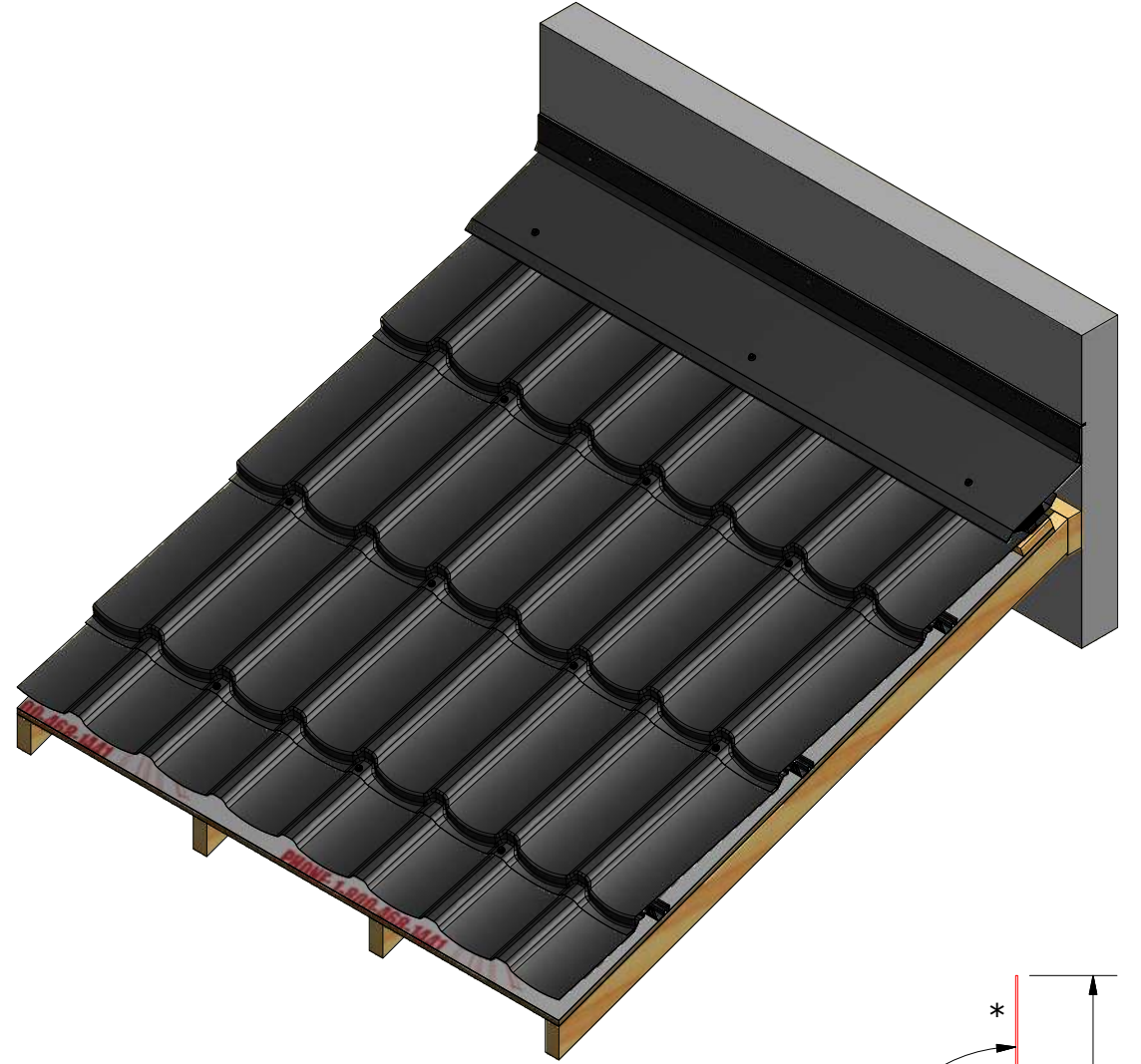
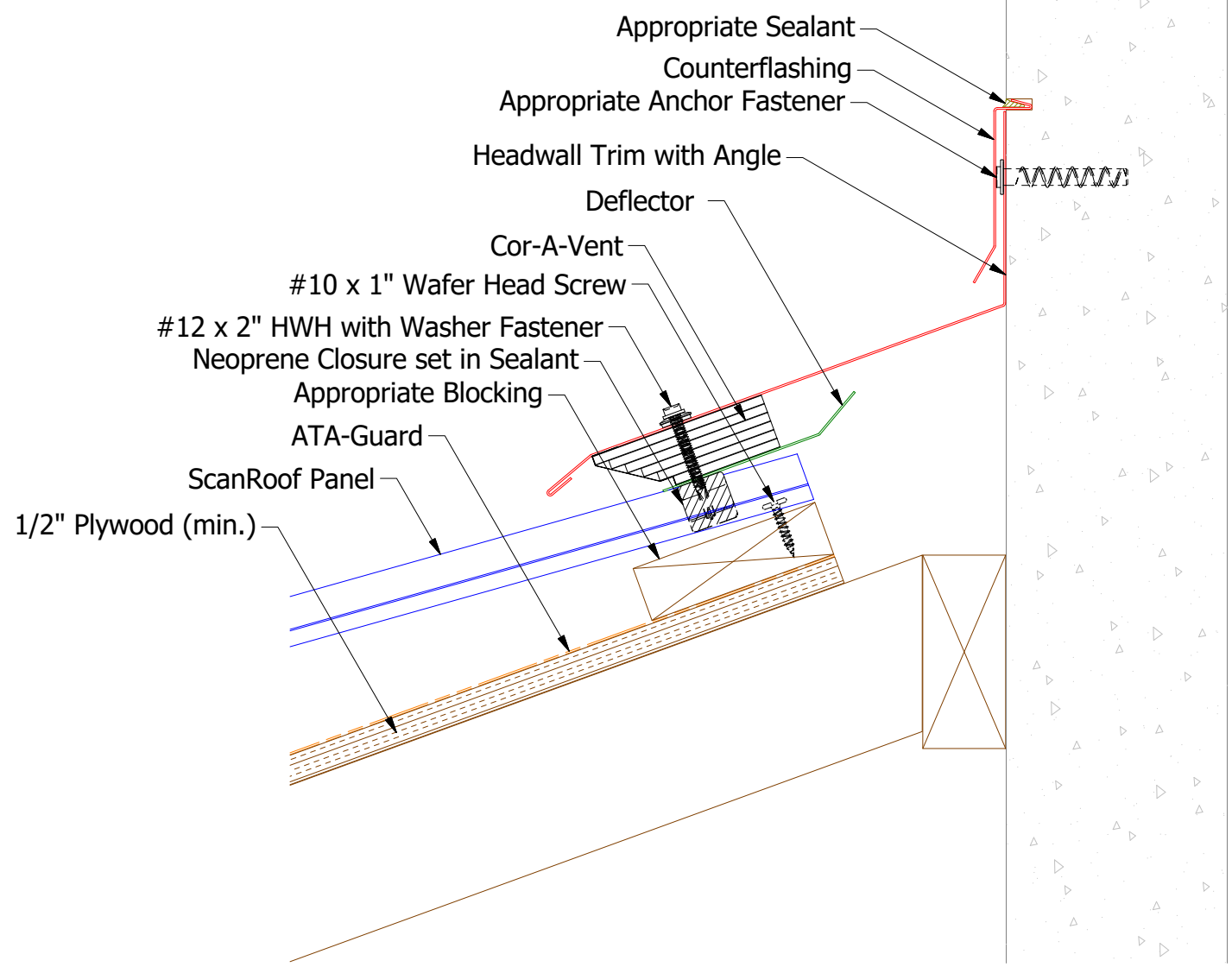


**ATAS** ATAS INTERNATIONAL, INC  
 Allentown PA  
 610-395-8445  
 Mesa AZ  
 480-558-7210

TITLE				ScanRoof Headwall Detail		
REV. NO.	DATE	DESCRIPTION OF REVISION	BY	APP	DR	DATE
02	5/18/2021	Added Set in Sealant to Neoprene.	KRK		KRK	12/17/2014
01	4/18/2018	Updated to show Panel cut at Headwall	KRK			DATE
MATERIAL				SH. SIZE B SCALE X:X		

Note: \* denotes color side.  
 Note: off cut of top ScanRoof Panel can be used instead of Blocking. See ScanRoof Ridge Detail for more information.

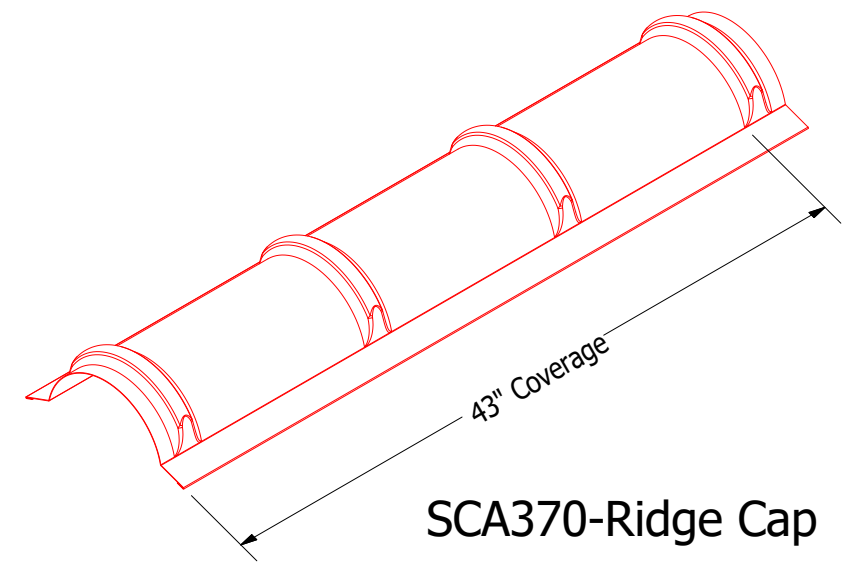
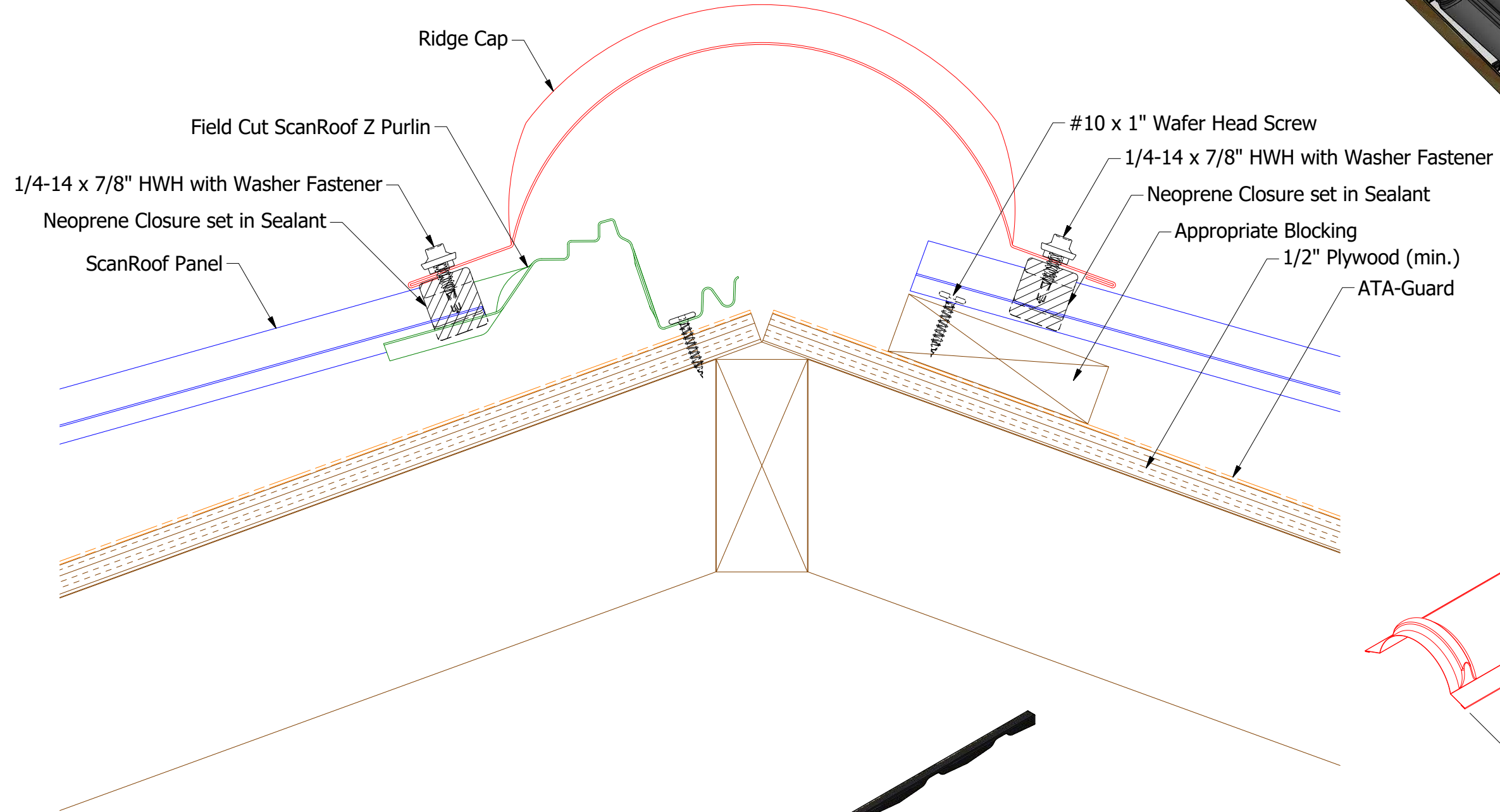
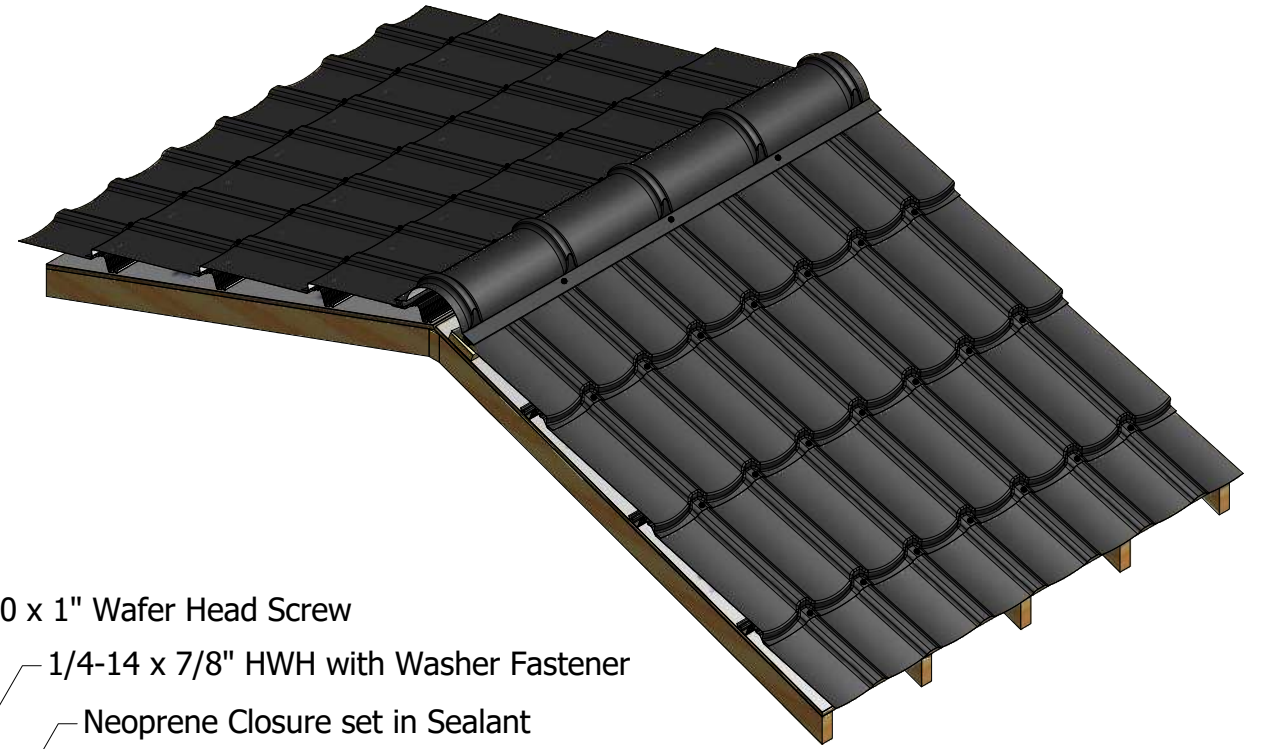




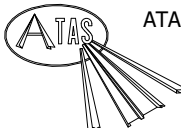
**ATAS** ATAS INTERNATIONAL, INC  
 Allentown PA  
 610-395-8445  
 Mesa AZ  
 480-558-7210

TITLE				ScanRoof Vented Headwall Detail			
02	5/19/2021	Added Z Purlin Note	KRK	DWG. NO.	DR	KRK	DATE
01	4/19/2018	Updated Panel Installation and Trim Dimensions.	KRK	APP	APP		DATE
REV. NO.	DATE	DESCRIPTION OF REVISION	BY	APP	SH. SIZE	B	SCALE
							X:X

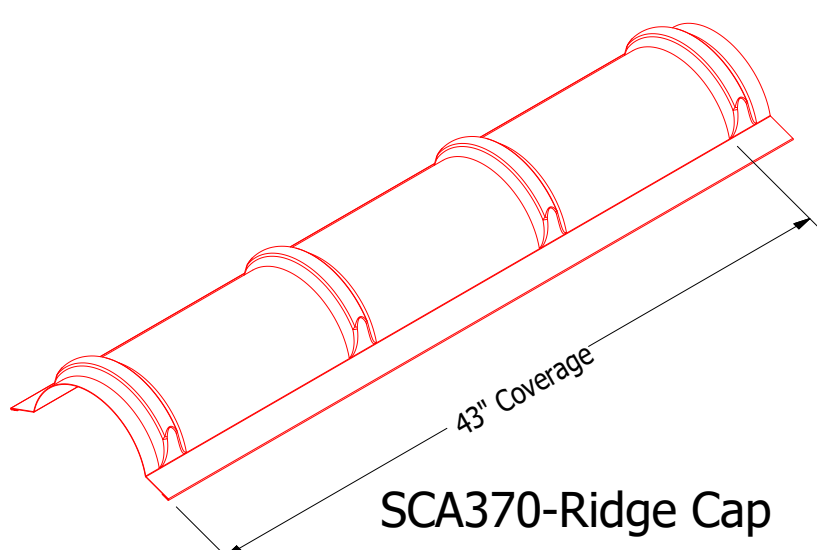
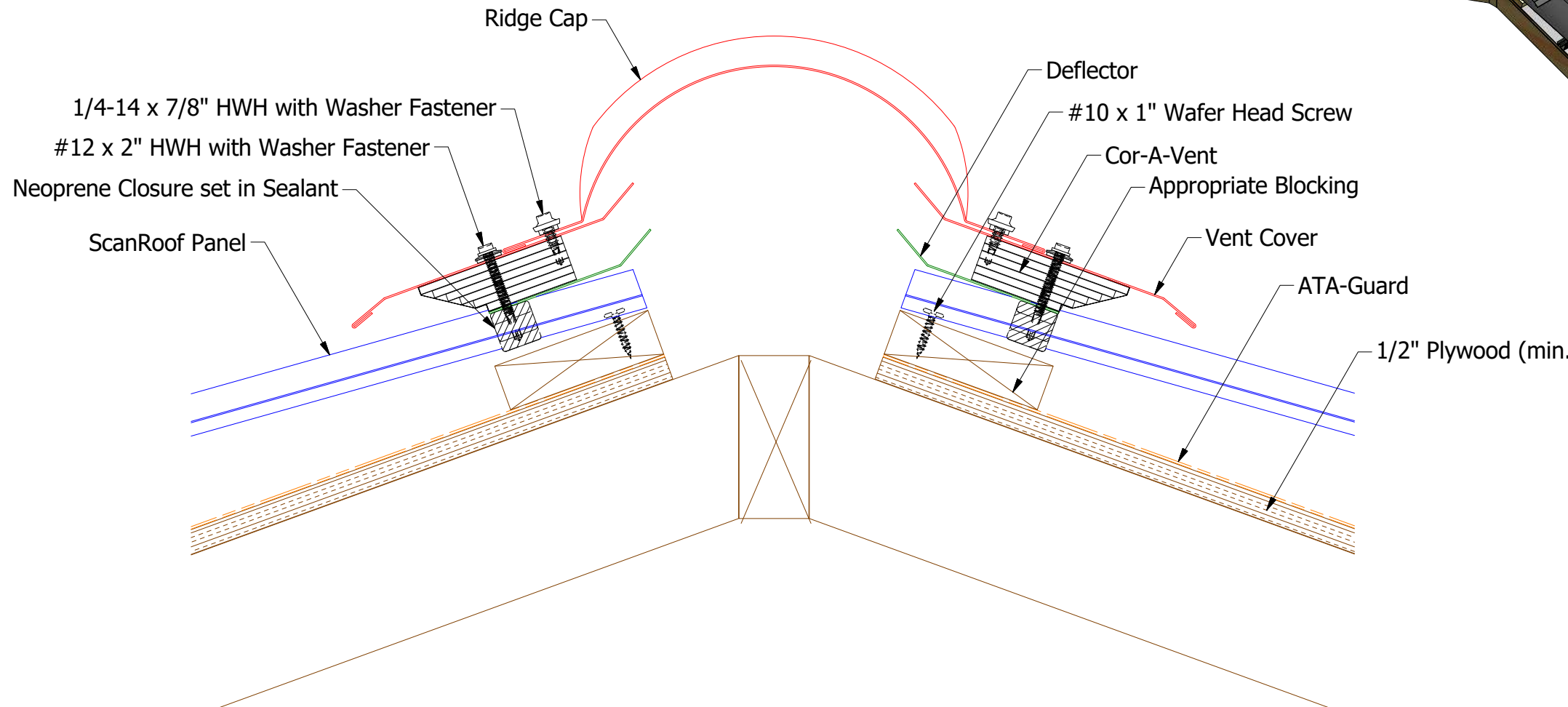
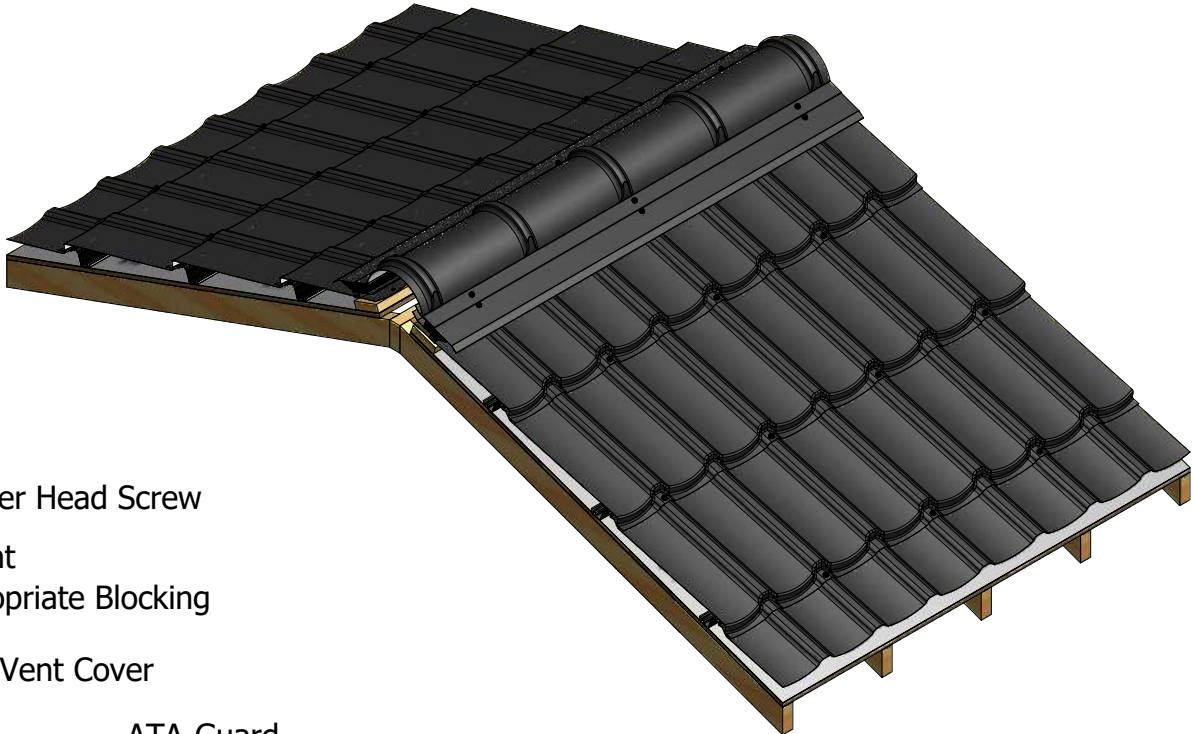
Note: \* denotes color side.  
 Note: off cut of the top of the ScanRoof Panel can be used instead of Blocking. See ScanRoof Ridge Detail for more information.



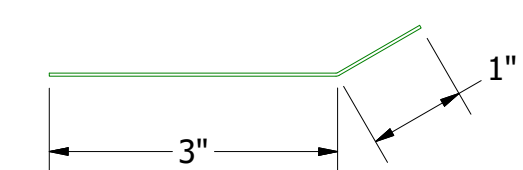
Note: Detail shows two different installation methods. Using Blocking on the right and using ScanRoof Z Purlin on left.

 <b>ATAS INTERNATIONAL, INC</b> Allentown PA 610-395-8445 Mesa AZ 480-558-7210	
<b>ScanRoof Ridge Detail</b>	
DWG. NO.	DR KRK DATE 12/11/2014
MATERIAL	APP DATE
SH. SIZE B	SCALE X:X

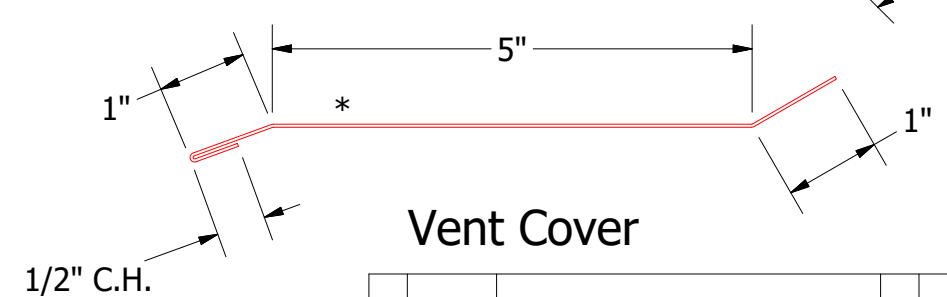
REV. NO.	DATE	DESCRIPTION OF REVISION	BY	APP
02	5/18/2021	Added Z Purlin Panel Installation	KRK	
01	4/18/2018	Updated Substrate	KRK	



Neoprene Closure  
(ISO View)



SCA365-Deflector

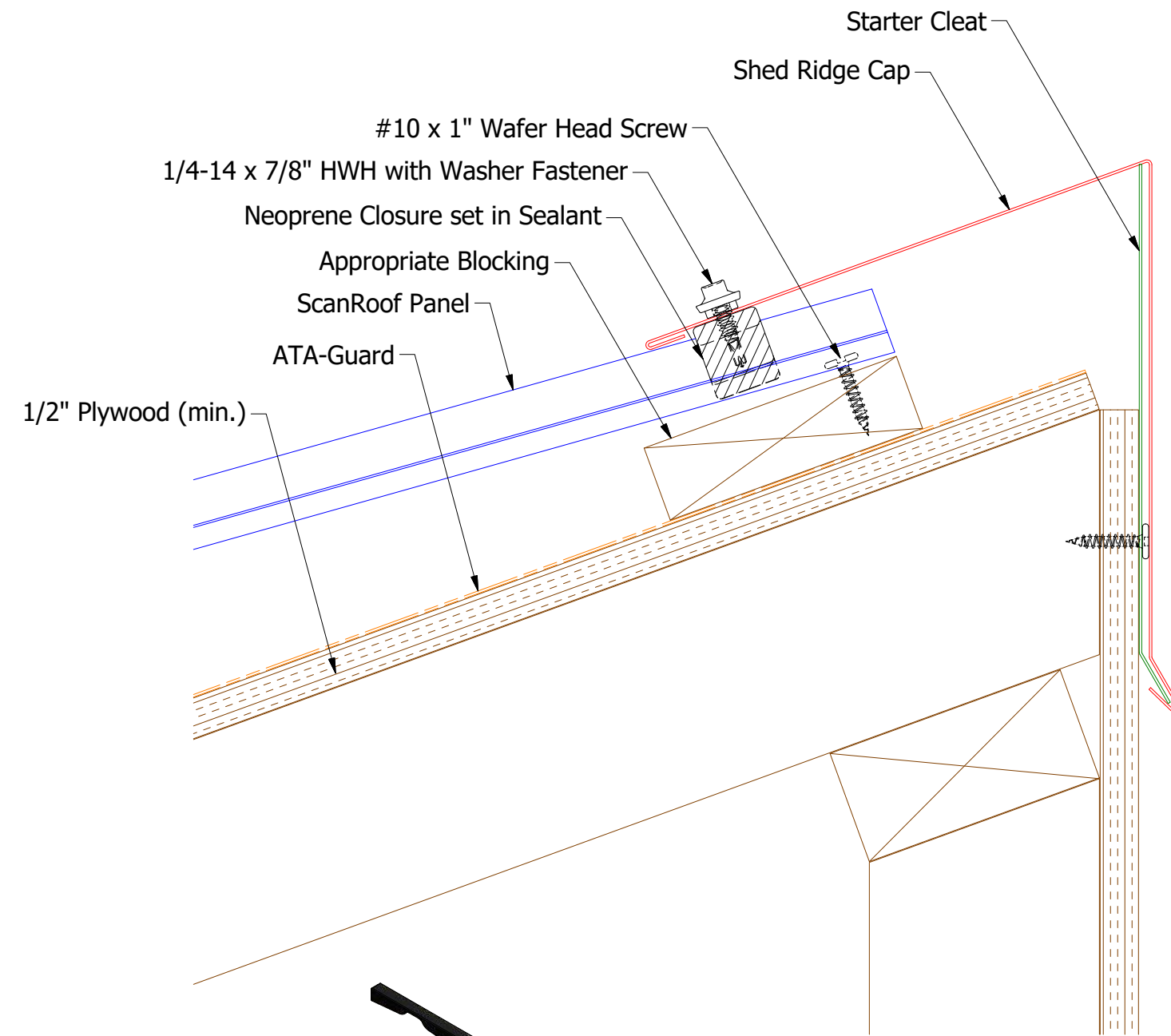


Vent Cover

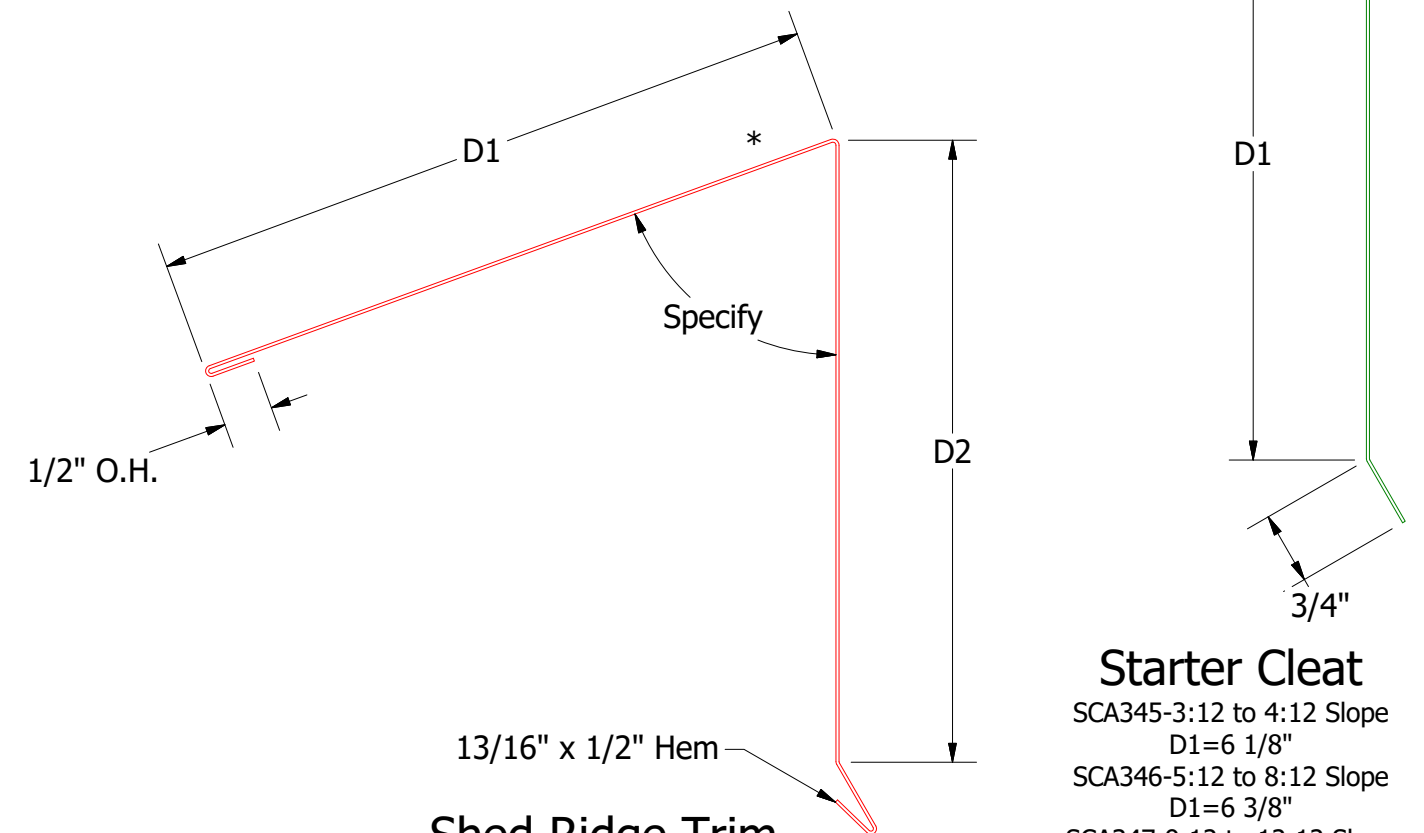
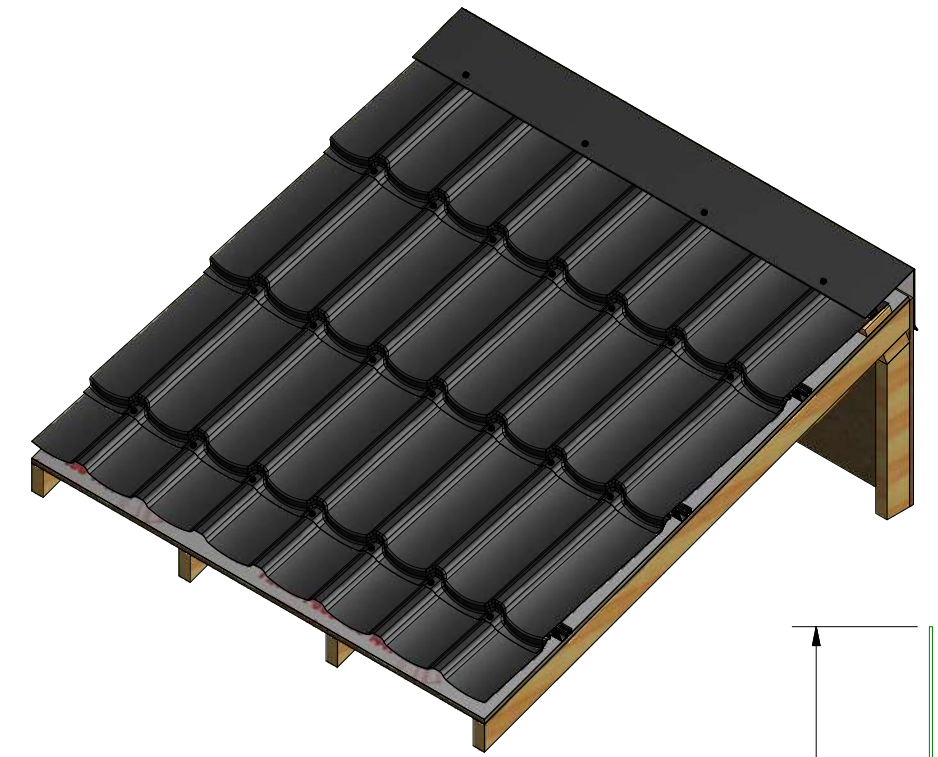
**ATAS** ATAS INTERNATIONAL, INC  
 Allentown PA  
 610-395-8445  
 Mesa AZ  
 480-558-7210

TITLE		ScanRoof Vented Ridge Detail	
DWG. NO.	DR	APP	DATE
	KRK	KRK	12/19/2014
REV. NO.	DATE	DESCRIPTION OF REVISION	BY
02	5/19/2021	Added Neoprene Sealant and Z Purlin Note	KRK
01	4/19/2018	Updated Panel Installation and Substrate	KRK
SH. SIZE		SCALE	
B		X:X	

Note: \* denotes color side.  
 Note: off cut of the top of the ScanRoof Panel can be used instead of Blocking. See ScanRoof Ridge Detail for more information.



Neoprene Closure  
(ISO View)

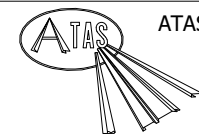


**Shed Ridge Trim**

SCA342-3:12 to 4:12 Slope  
D1=6" / D2=6 1/4"  
SCA343-5:12 to 8:12 Slope  
D1=7" / D2=6 1/2"  
SCA344-9:12 to 12:12 Slope  
D1=8" / D2=6 3/4"

**Starter Cleat**

SCA345-3:12 to 4:12 Slope  
D1=6 1/8"  
SCA346-5:12 to 8:12 Slope  
D1=6 3/8"  
SCA347-9:12 to 12:12 Slope  
D1=6 5/8"



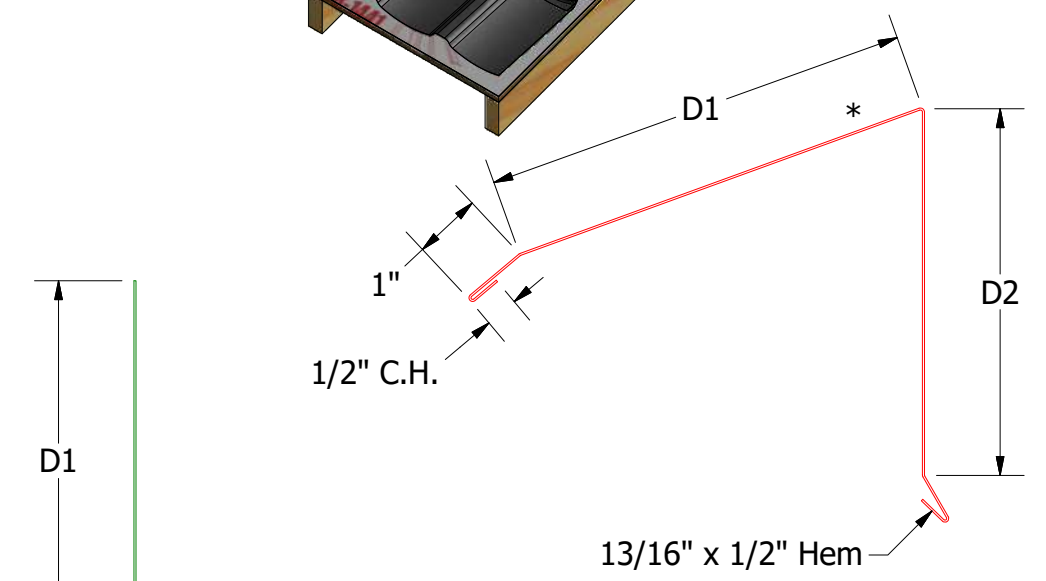
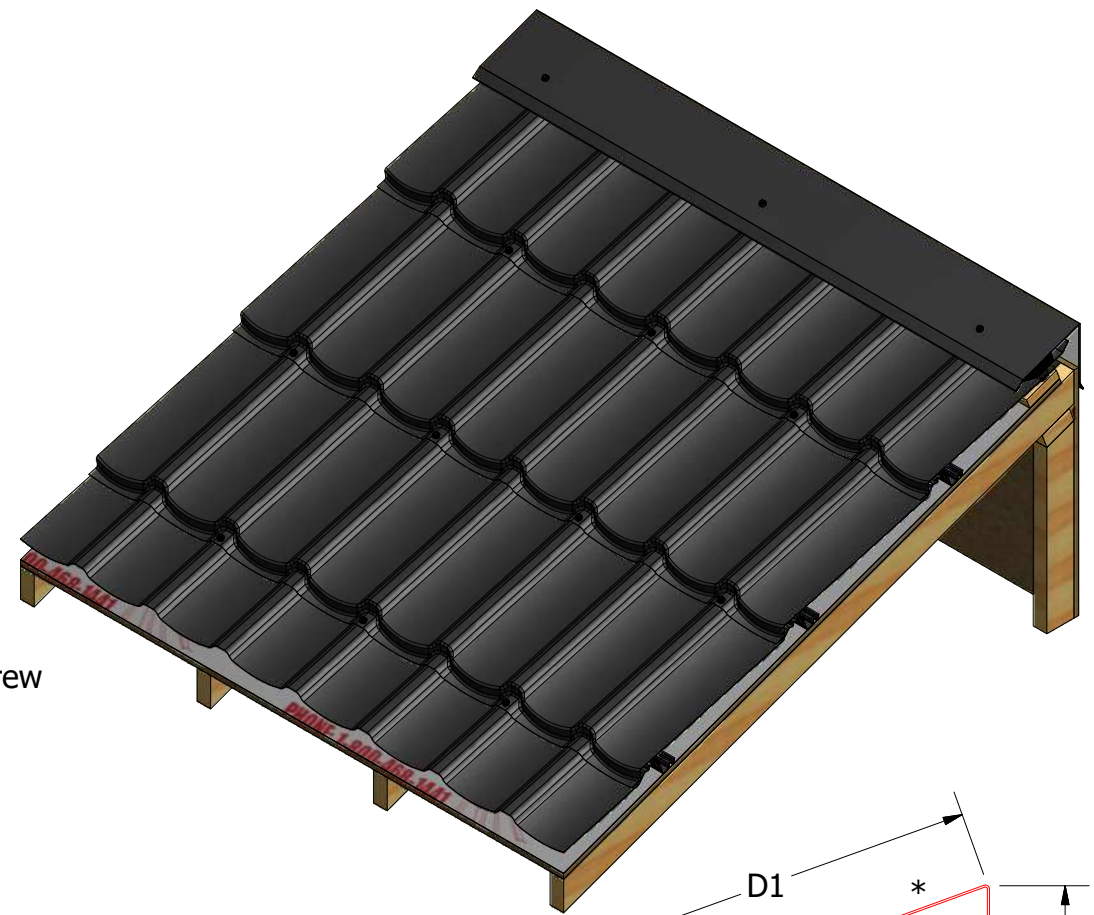
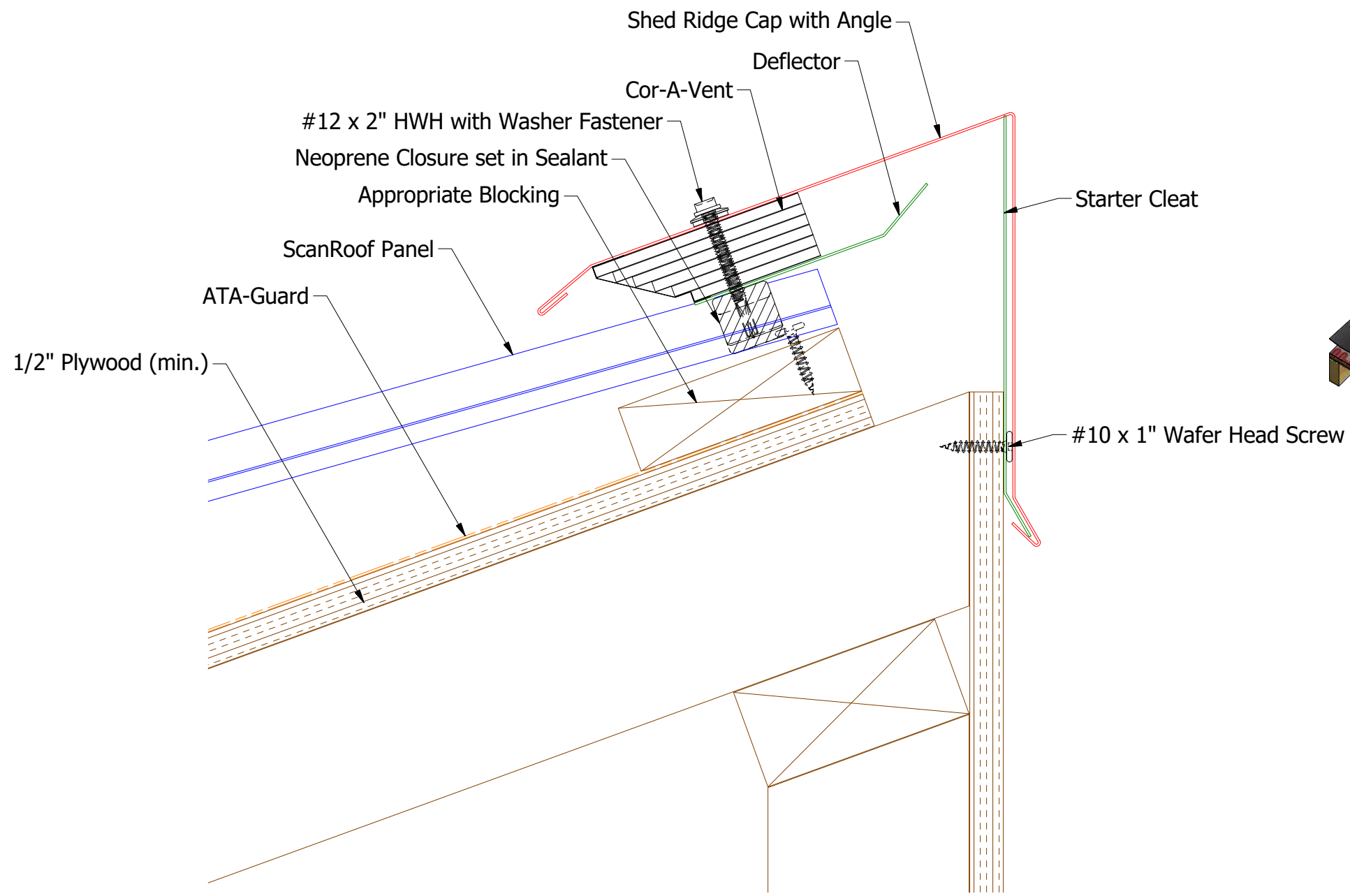
ATAS INTERNATIONAL, INC  
Allentown PA  
610-395-8445  
Mesa AZ  
480-558-7210

TITLE ScanRoof Shed Ridge Detail

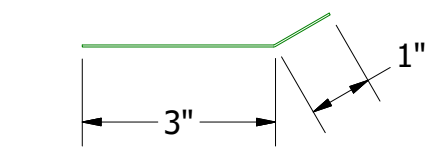
02	5/19/2021	Updated Fastener Call Out and added note about Z Purlin.	KRK	DWG. NO.	DR	KRK	DATE	12/17/2014
01	4/18/2018	Updated Substrate and Panel Installation	KRK	MATERIAL	APP		DATE	
REV. NO.	DATE	DESCRIPTION OF REVISION	BY	APP	SH. SIZE	B	SCALE	X:X

Note: \* denotes color side.

Note: off cut of the top of the ScanRoof Panel can be used instead of Blocking. See ScanRoof Ridge Detail for more information.



Neoprene Closure  
(ISO View)



SCA365-Deflector

**Shed Ridge Cap with Angle**

- 2:12-6:12 Slope  
D1=6 1/2" / D2=5 3/4"
- 6:12-9:12 Slope  
D1=7 1/4" / D2=6"
- 9:12-12:12 Slope  
D1=8" / D2=6 3/4"

**Starter Cleat**

- 2:12-6:12 Slope  
D1=5 5/8"
- 6:12-9:12 Slope  
D1=6 7/8"
- 9:12-12:12 Slope  
D1=6 5/8"

ATAS INTERNATIONAL, INC  
Allentown PA  
610-395-8445  
Mesa AZ  
480-558-7210

Note: \* denotes color side.  
Note: off cut of the top of the ScanRoof Panel can be used instead of Blocking. See ScanRoof Ridge Detail for more information.

REV. NO.	DATE	DESCRIPTION OF REVISION	BY	APP	TITLE	DR	DATE
02	5/19/2021	Added Neoprene and Z Purlin Note	KRK		DWG. NO.	DR	12/22/2014
01	4/19/2018	Updated Panel Installation and Substrate	KRK		MATERIAL	APP	DATE
						SH. SIZE	B
						SCALE	X:X