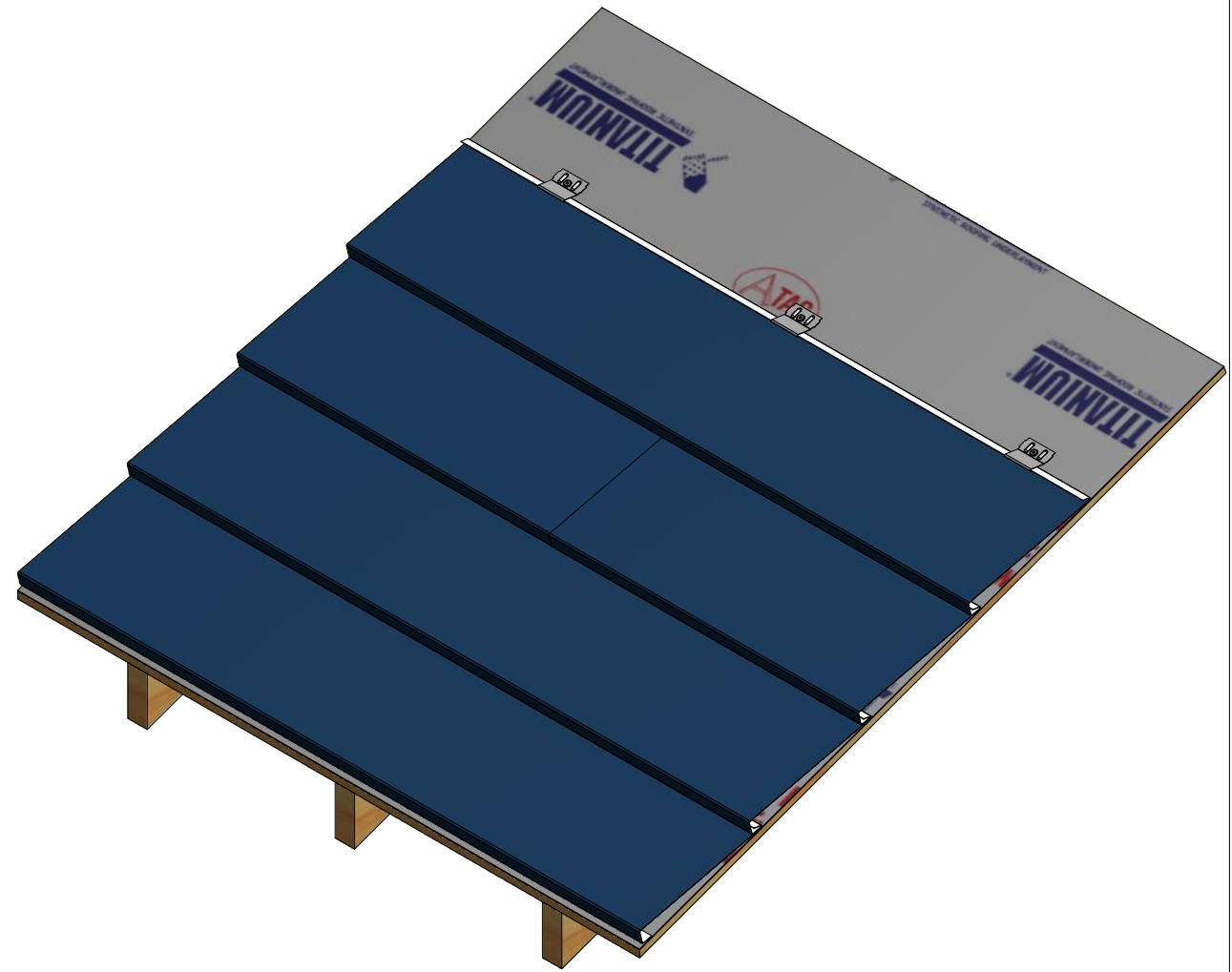
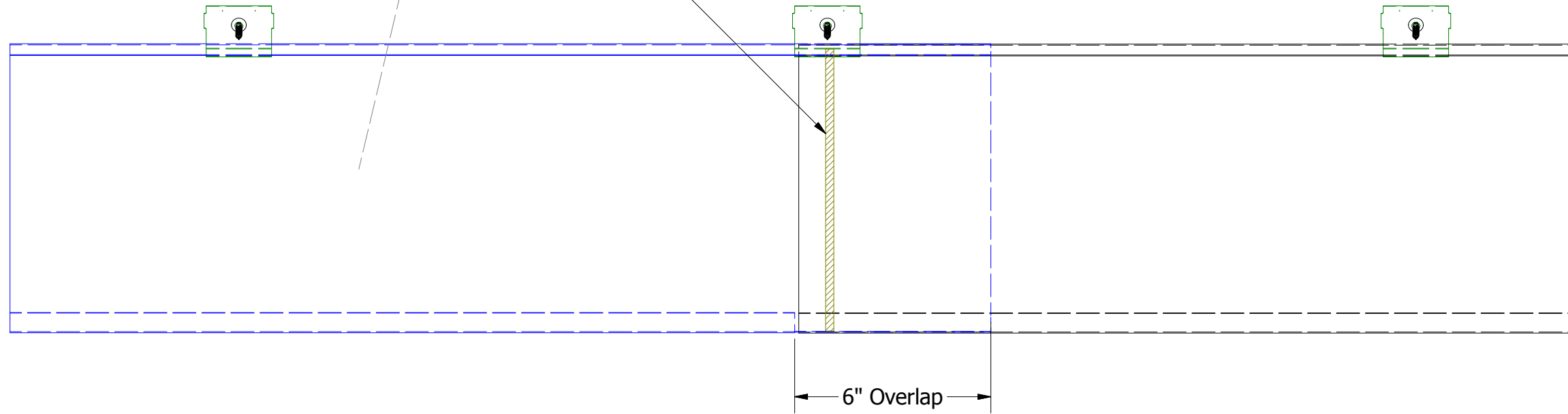


Notch Leg Back 6"



Appropriate Sealant



6" Overlap



ATAS INTERNATIONAL, INC  
 Allentown PA  
 610-395-8445  
 Mesa AZ  
 480-558-7210

TITLE Rumba Shake Panel Overlap Detail

REV. NO.	DATE	DESCRIPTION OF REVISION	BY	APP	DWG. NO.	DR	DATE
						KRK	8/25/2016
					MATERIAL	APP	DATE
					SH. SIZE	B	SCALE X:X