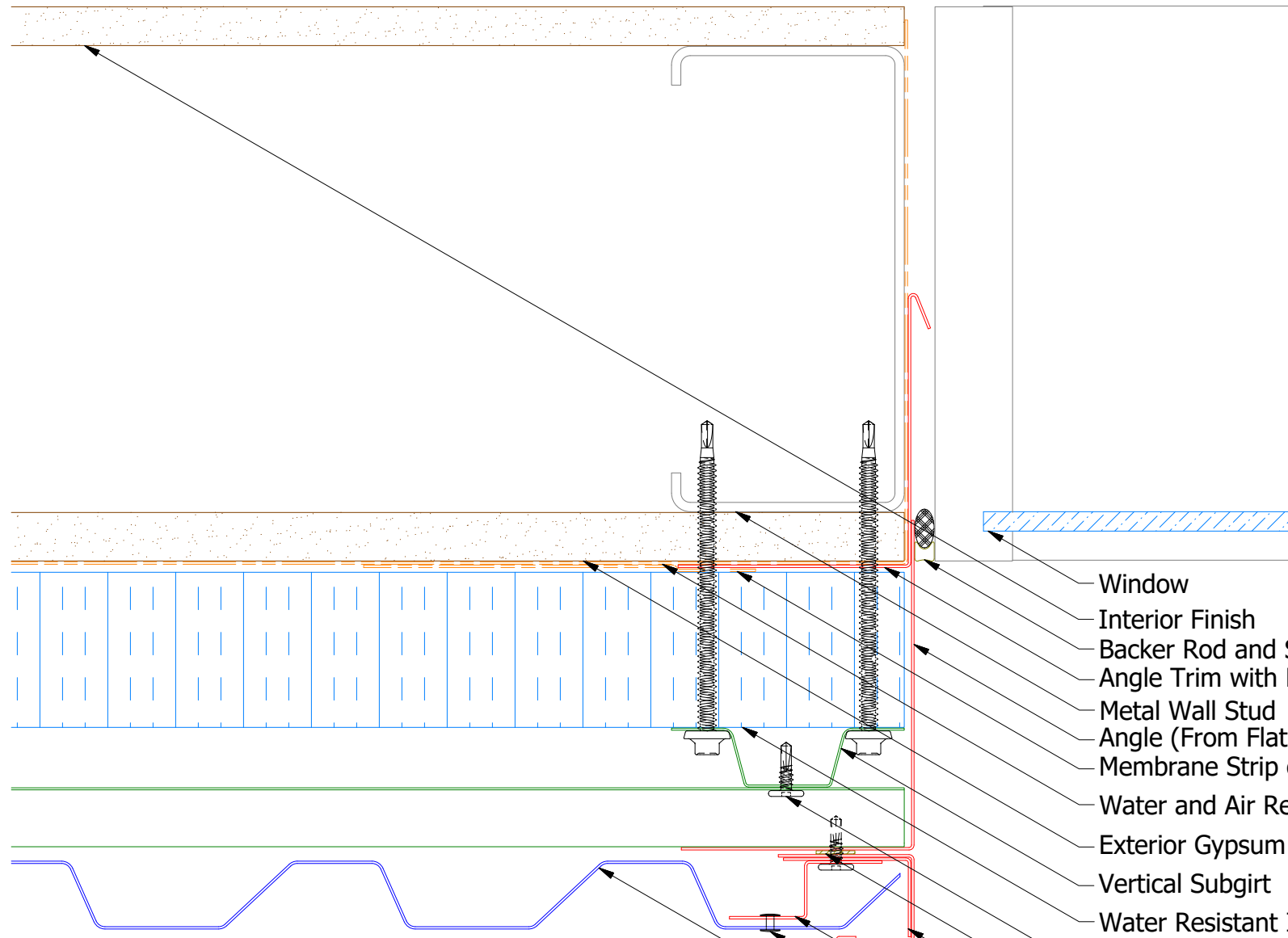
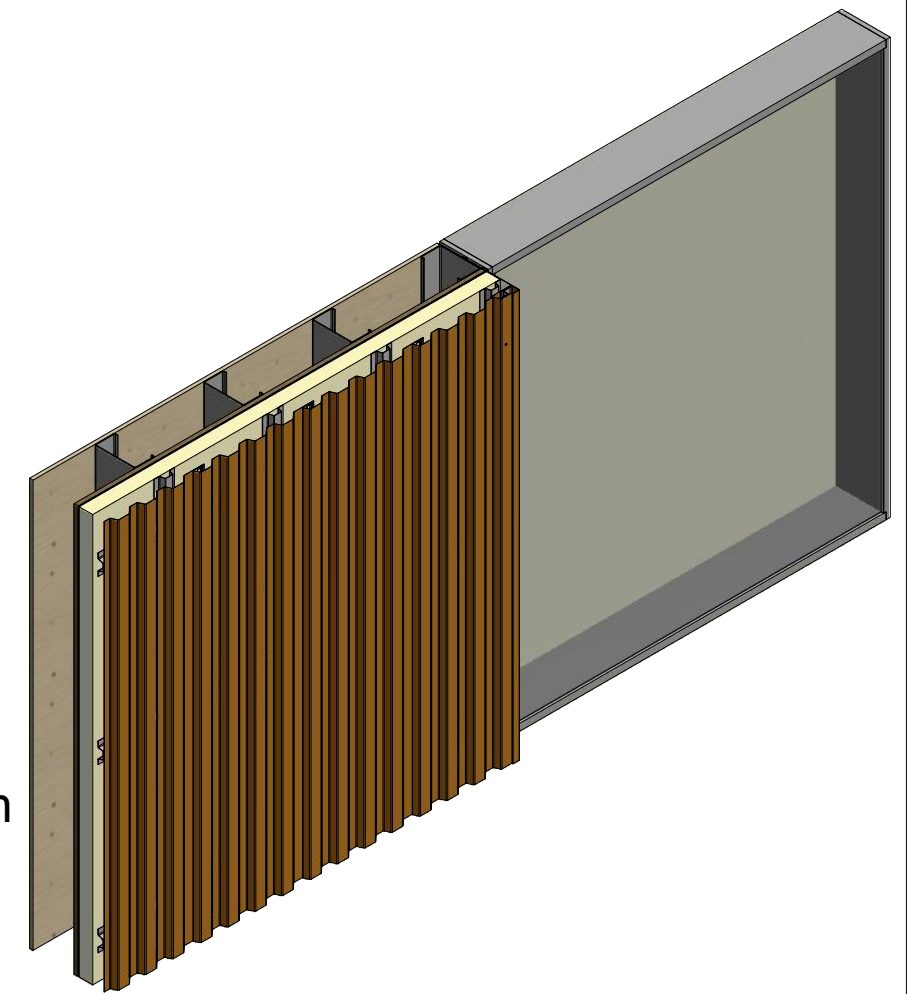
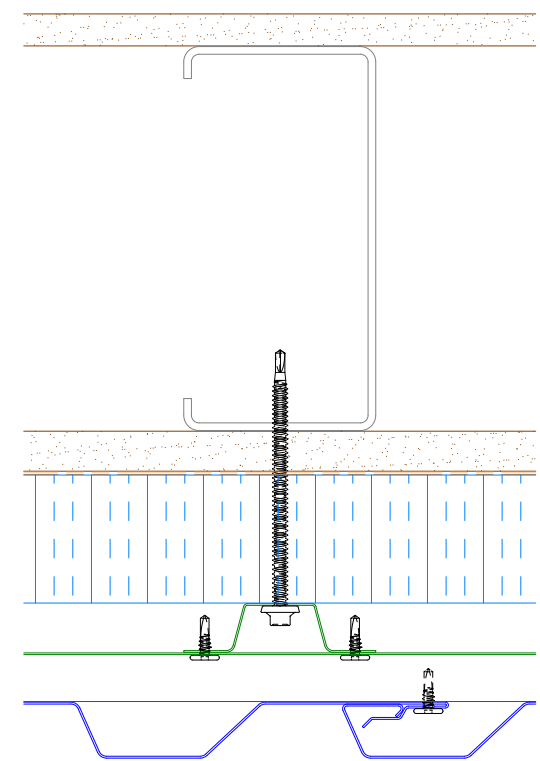


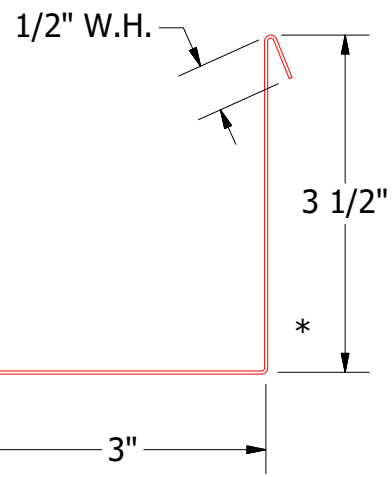
# Vertical Panel



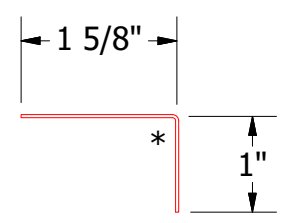
## Alternate Subgirt Orientation



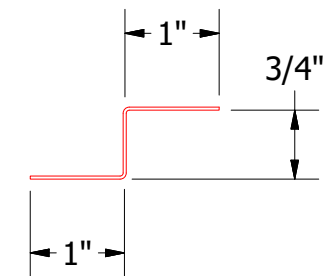
- Window
- Interior Finish
- Backer Rod and Sealant
- Angle Trim with Return
- Metal Wall Stud
- Angle (From Flatstock)
- Membrane Strip over Angle Trim with Return
- Water and Air Resistive Barrier
- Exterior Gypsum Board
- Vertical Subgirt
- Water Resistant Insulation
- #10 x 5/8" Wafer Head Fastener
- Butyl Tape
- Angle Trim
- J Channel
- Support Z
- Painted Pop Rivet (Stainless Steel)
- Rigid Wall Panel



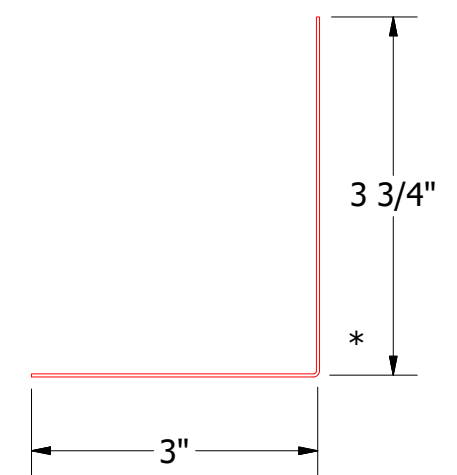
MCA683-Angle Trim with Return



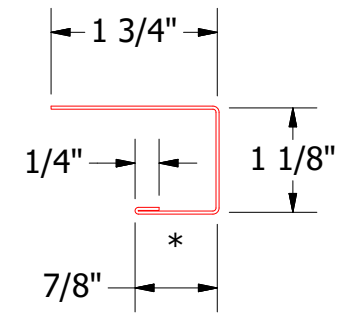
MCA680-Angle Trim



MCA681-Support Z



Angle



MCA118-J Channel

Note: \* denotes color side.

REV. NO.	DATE	DESCRIPTION OF REVISION	BY	APP

**ATAS INTERNATIONAL, INC**  
Allentown PA  
610-395-8445  
Mesa AZ  
480-558-7210

TITLE: **Rigid Wall Open Jamb Detail**

DWG. NO.	DR	DMR	DATE
MATERIAL	APP		3/29/2017
	SH. SIZE	B	SCALE
			X:X