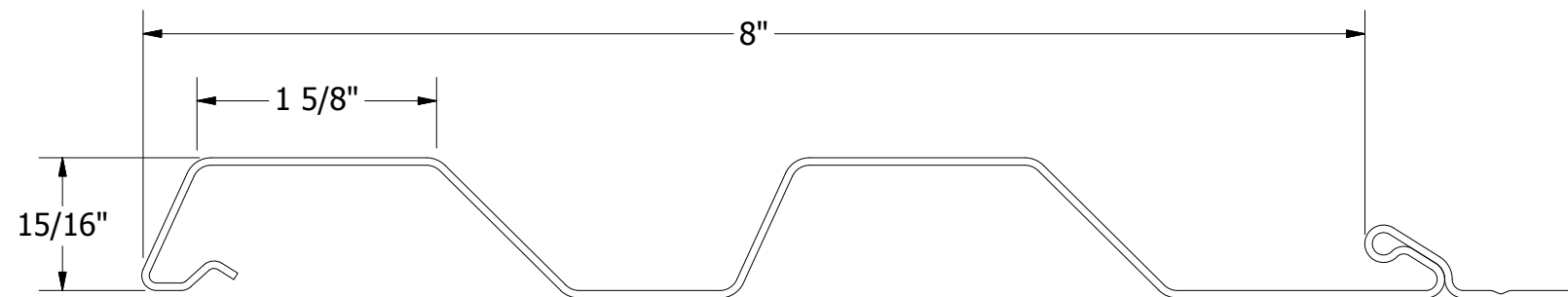
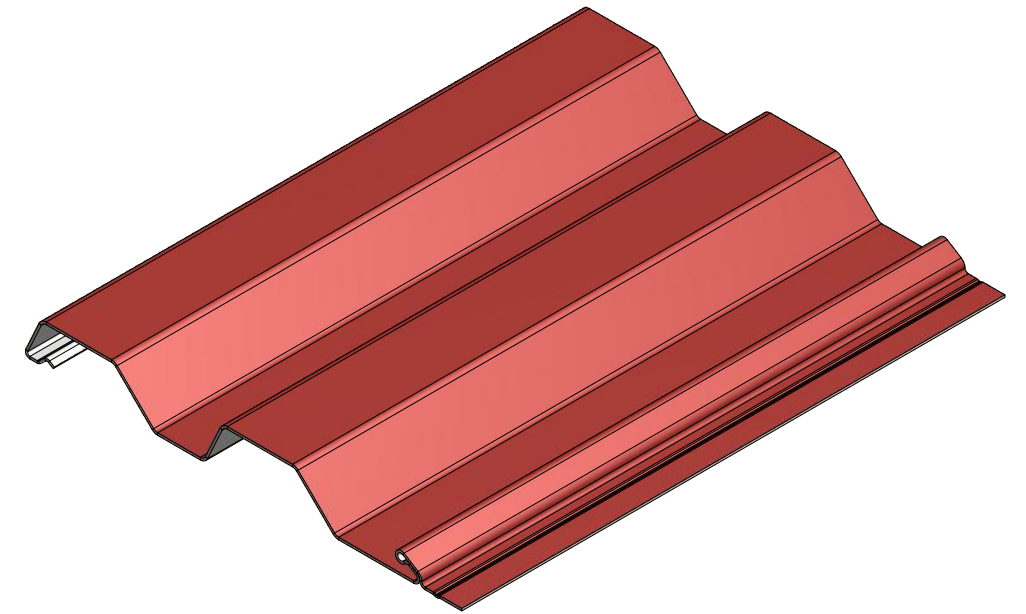


MFN080 Panel

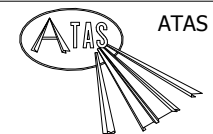
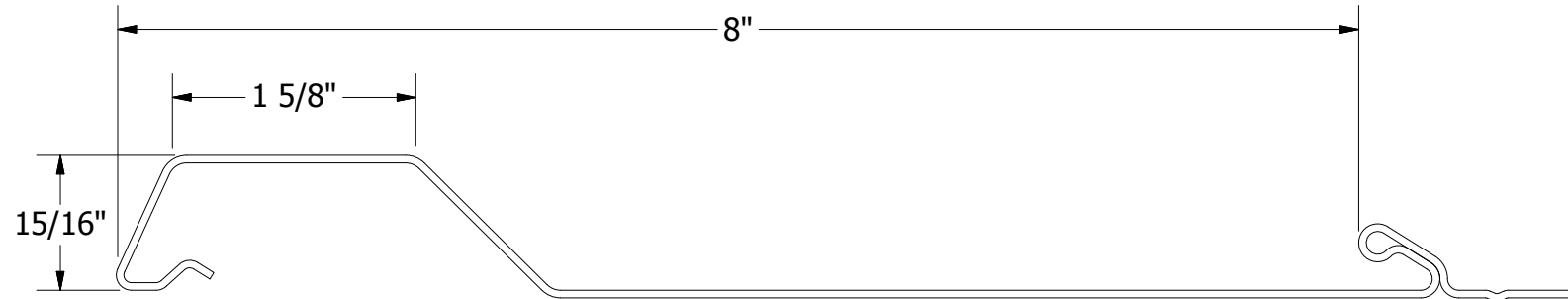
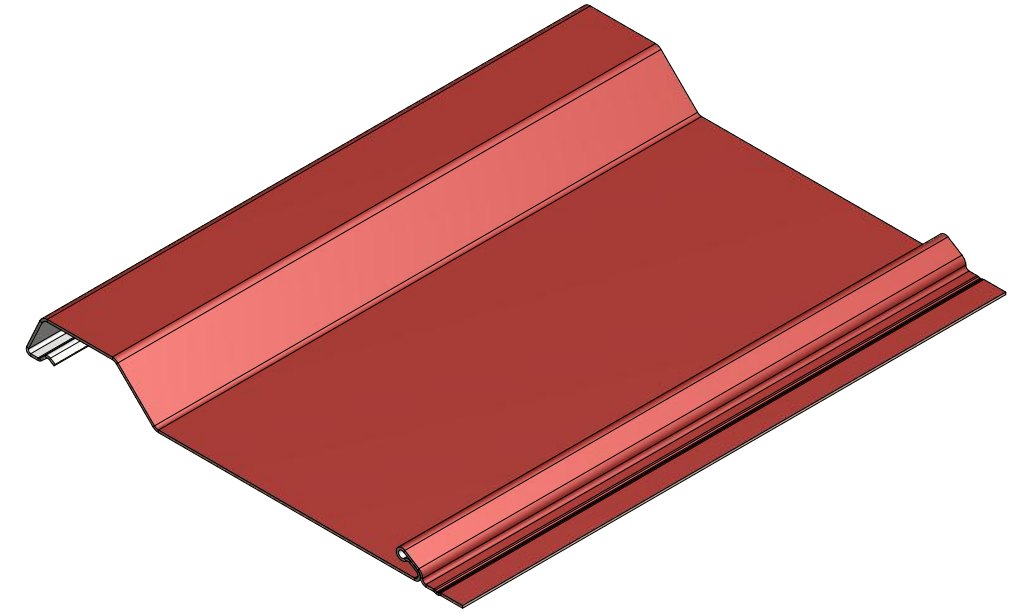


ATAS ATAS INTERNATIONAL, INC
 Allentown PA
 610-395-8445
 Mesa AZ
 480-558-7210

TITLE			Rigid Wall II Panel Detail		
DWG. NO.		DR	DMR	DATE	10/30/2017
MATERIAL		APP		DATE	
REV. NO.	DATE	DESCRIPTION OF REVISION	BY	APP	SH. SIZE B SCALE X:X

REV. NO.	DATE	DESCRIPTION OF REVISION	BY	APP

MFN081 Panel

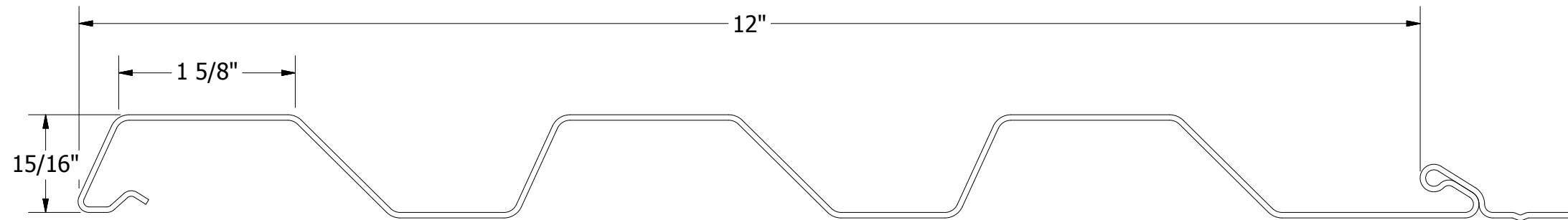
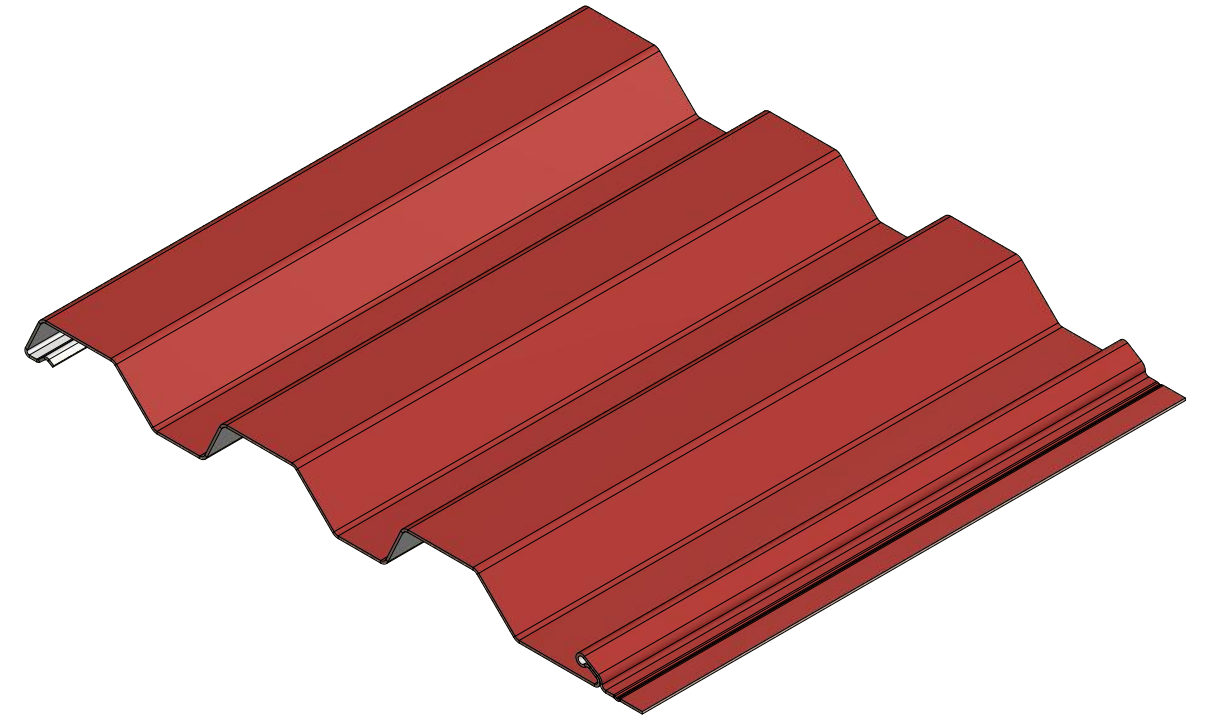


ATAS INTERNATIONAL, INC
 Allentown PA
 610-395-8445
 Mesa AZ
 480-558-7210

TITLE			Rigid Wall II Panel Detail		
DWG. NO.		DR		DATE	
		DMR		10/30/2017	
MATERIAL		APP		DATE	
		SH. SIZE		SCALE	
		B		X:X	

REV. NO.	DATE	DESCRIPTION OF REVISION	BY	APP

MFN120 Panel

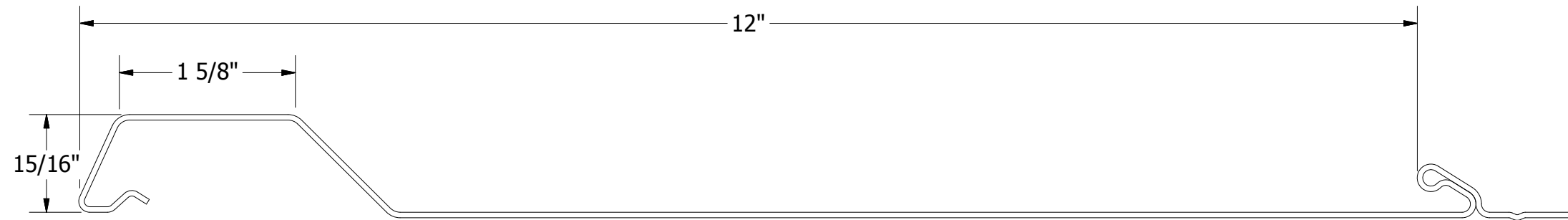
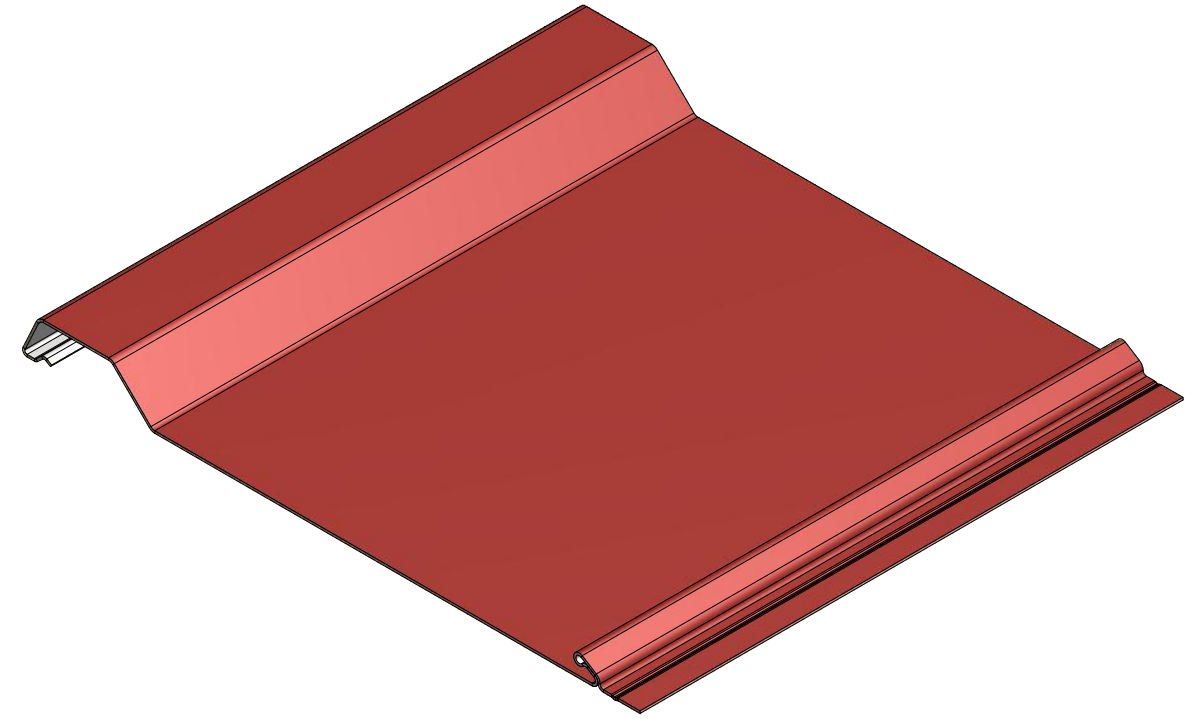


ATAS ATAS INTERNATIONAL, INC
 Allentown PA
 610-395-8445
 Mesa AZ
 480-558-7210

TITLE			Rigid Wall II Panel Detail		
DWG. NO.		DR		DATE	
		DMR		10/30/2017	
MATERIAL		APP		DATE	
		SH. SIZE		SCALE	
		B		X:X	

REV. NO.	DATE	DESCRIPTION OF REVISION	BY	APP

MFN121 Panel

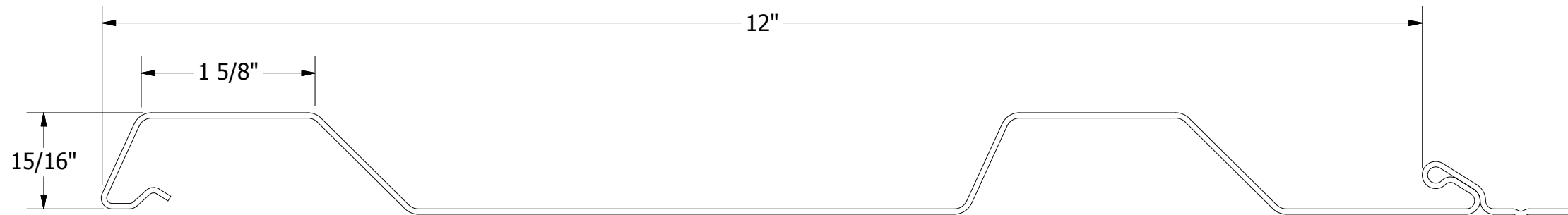
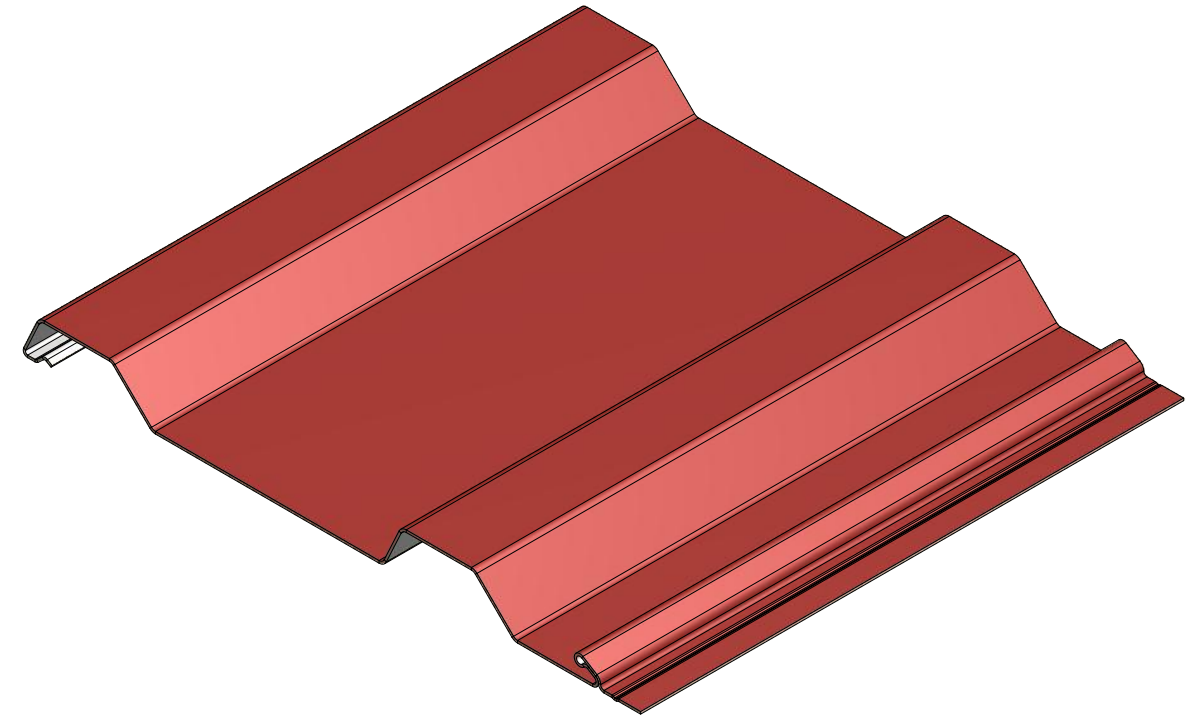


ATAS ATAS INTERNATIONAL, INC
 Allentown PA
 610-395-8445
 Mesa AZ
 480-558-7210

TITLE		Rigid Wall II Panel Detail	
DWG. NO.	DR	DATE	10/30/2017
	DMR	DATE	
MATERIAL	APP	DATE	
SH. SIZE	B	SCALE	X:X

REV. NO.	DATE	DESCRIPTION OF REVISION	BY	APP

MFN123 Panel

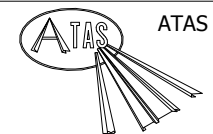
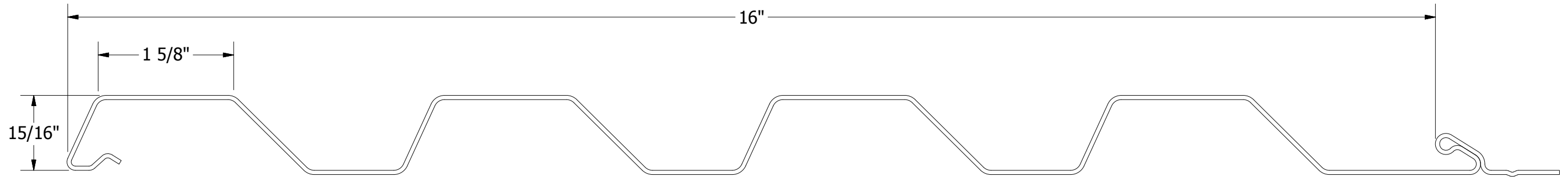
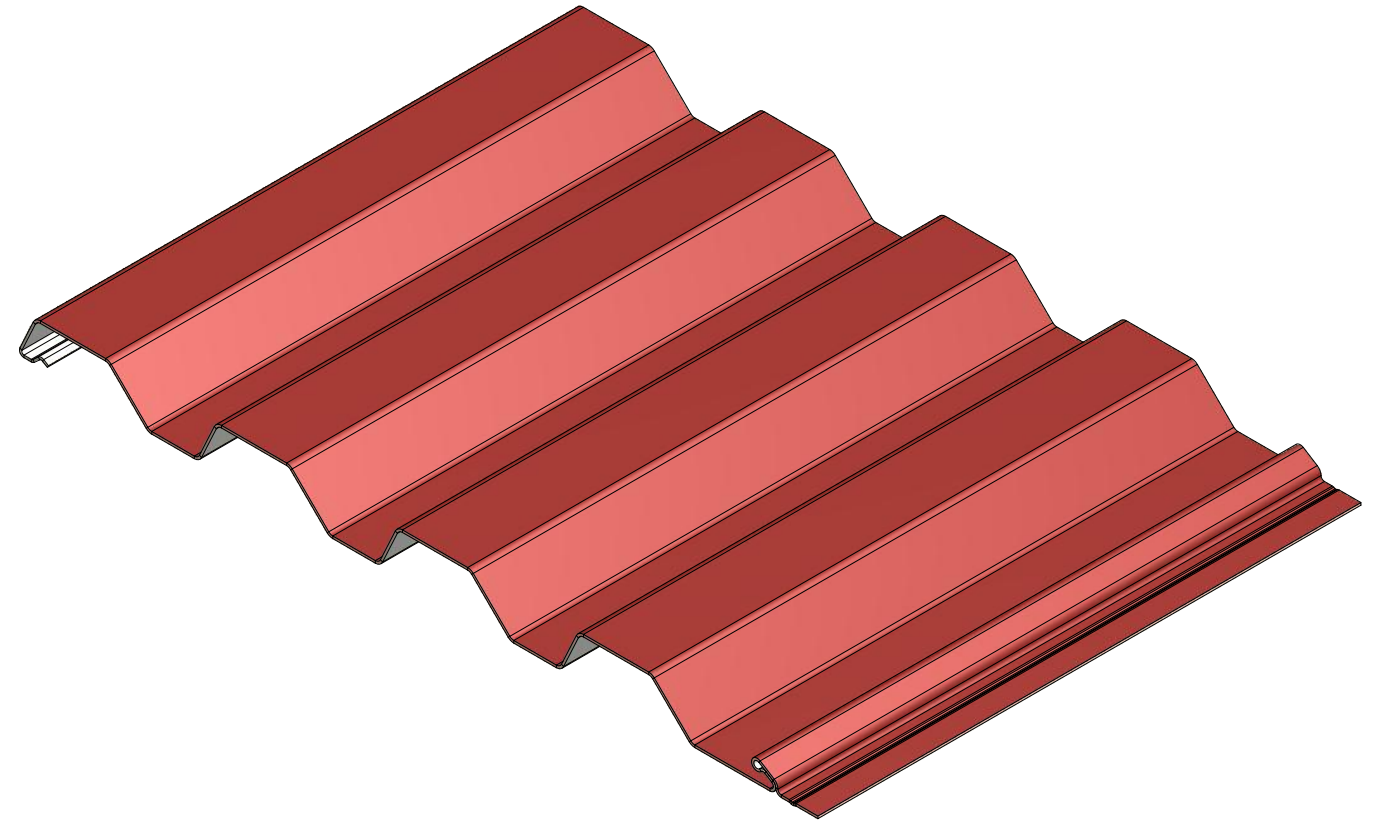


ATAS ATAS INTERNATIONAL, INC
 Allentown PA
 610-395-8445
 Mesa AZ
 480-558-7210

TITLE		Rigid Wall II Panel Detail	
DWG. NO.	DR	DATE	10/30/2017
MATERIAL	APP	DATE	
SH. SIZE	B	SCALE	X:X

REV. NO.	DATE	DESCRIPTION OF REVISION	BY	APP

MFN160 Panel

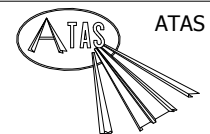
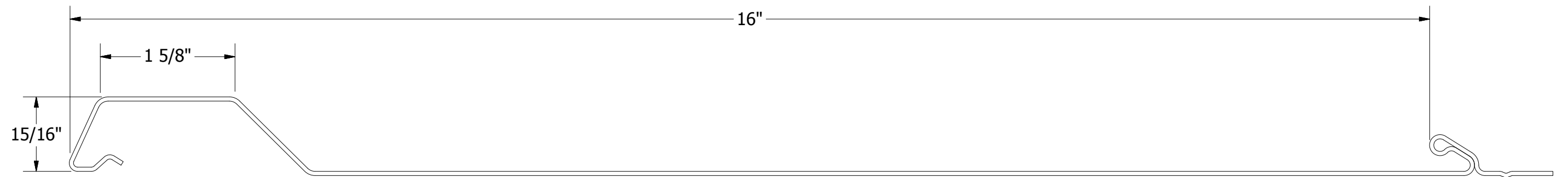
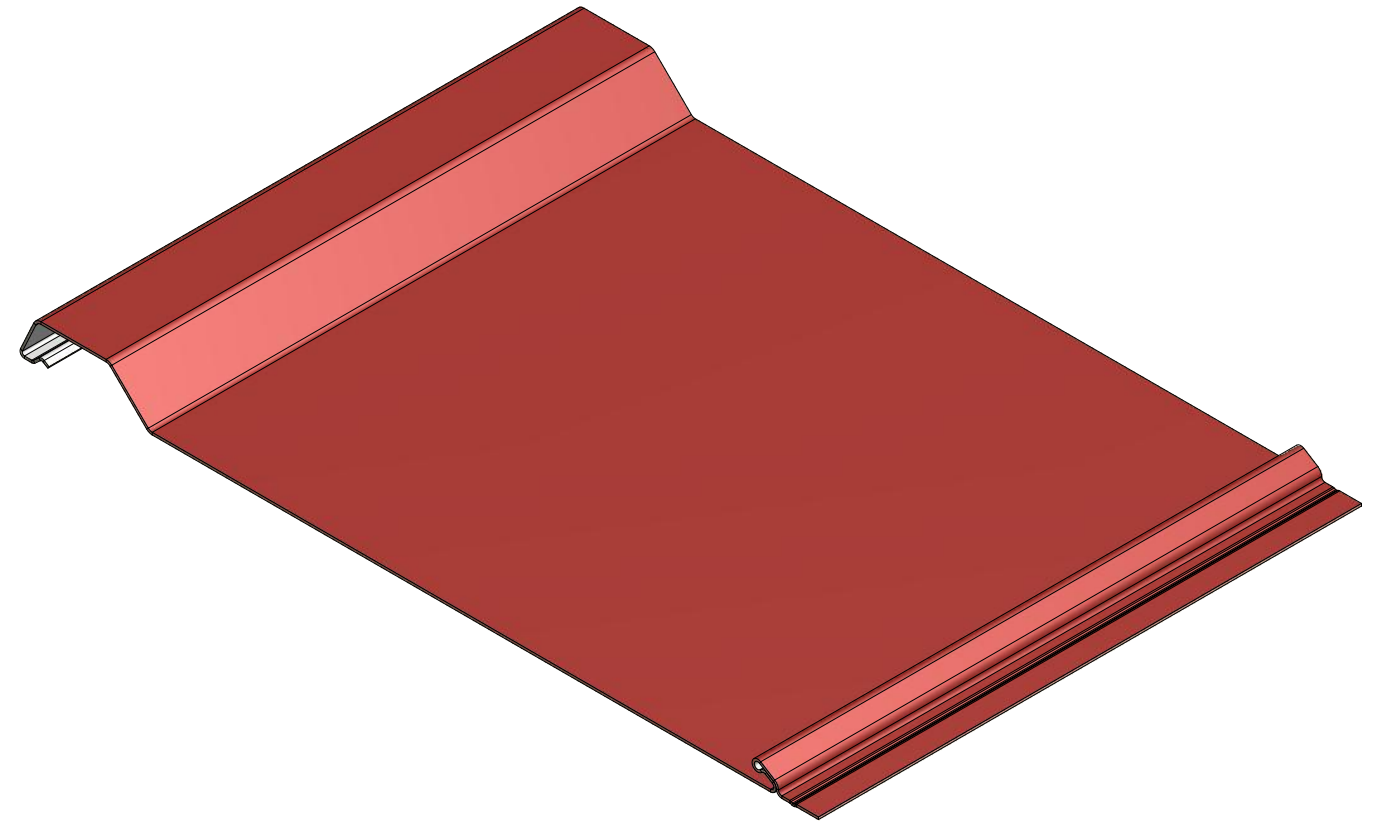


ATAS INTERNATIONAL, INC
 Allentown PA
 610-395-8445
 Mesa AZ
 480-558-7210

TITLE		Rigid Wall II Panel Detail	
DWG. NO.	DR	DATE	10/30/2017
MATERIAL	APP	DATE	
SH. SIZE	B	SCALE	X:X

REV. NO.	DATE	DESCRIPTION OF REVISION	BY	APP

MFN161 Panel

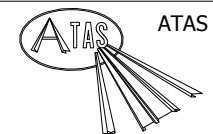
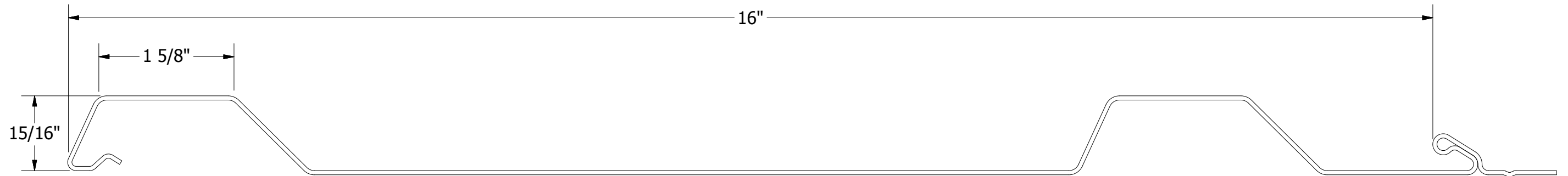
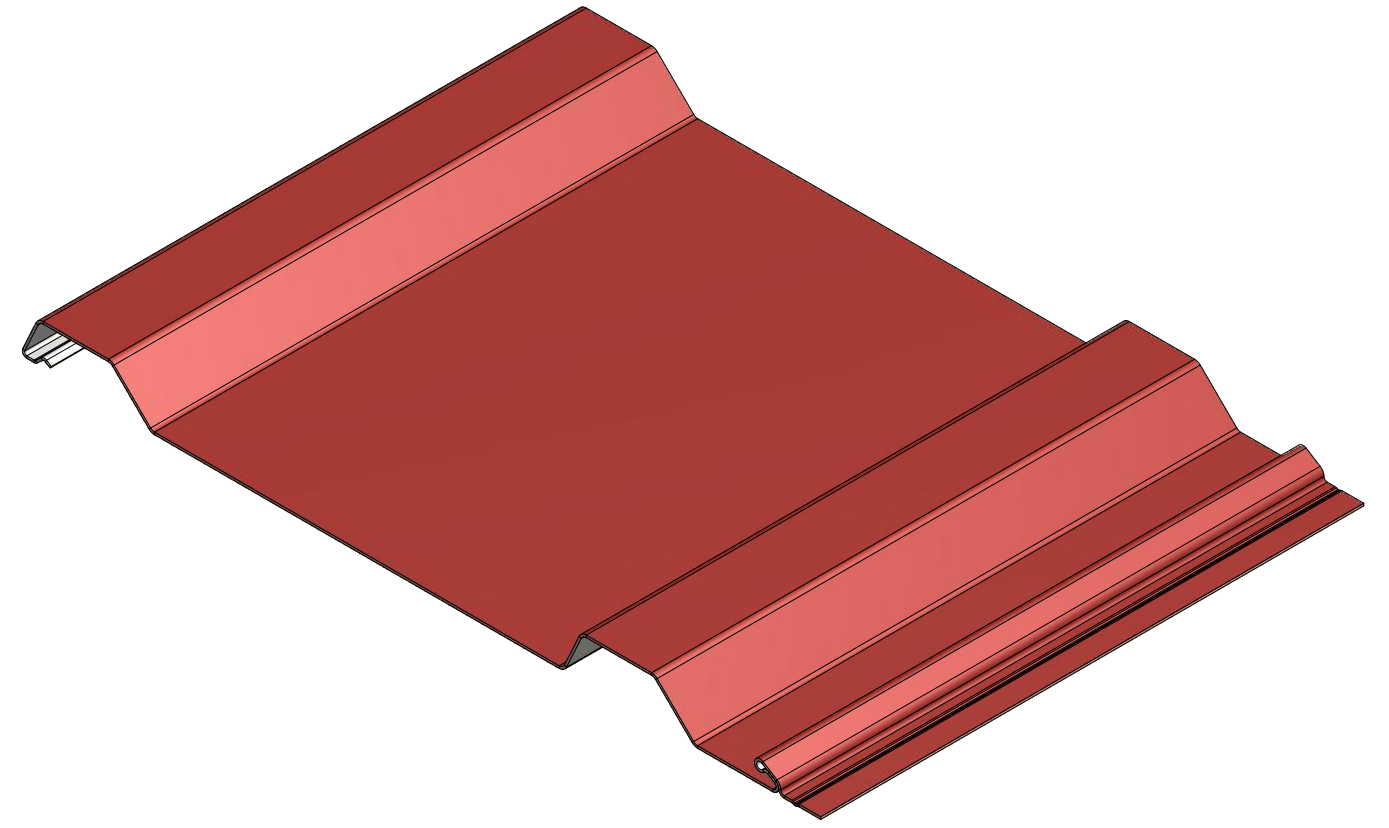


ATAS INTERNATIONAL, INC
 Allentown PA
 610-395-8445
 Mesa AZ
 480-558-7210

TITLE			Rigid Wall II Panel Detail		
DWG. NO.		DR		DATE	
		DMR		10/30/2017	
MATERIAL		APP		DATE	
		SH. SIZE		SCALE	
		B		X:X	

REV. NO.	DATE	DESCRIPTION OF REVISION	BY	APP

MFN163 Panel

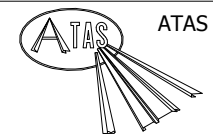
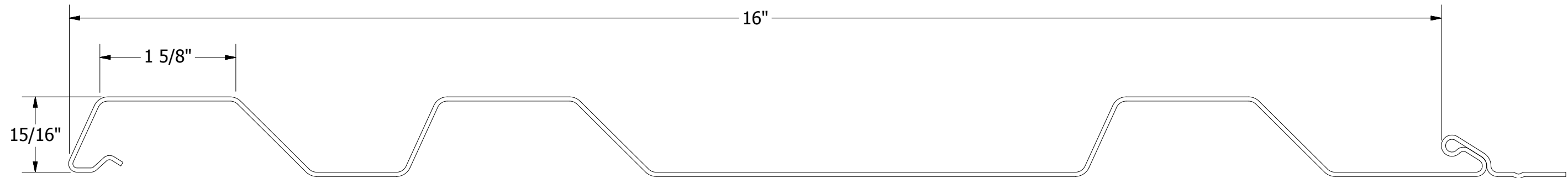
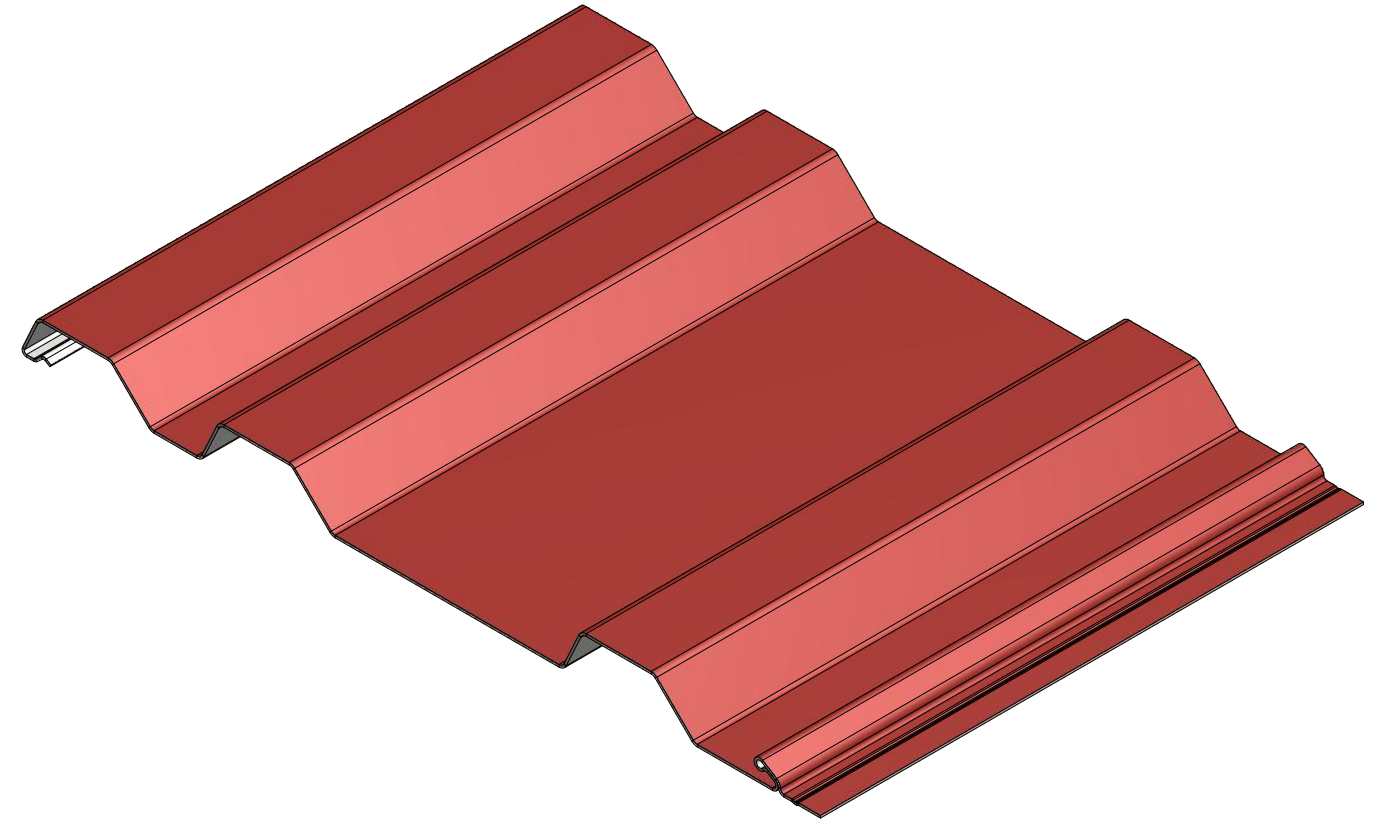


ATAS INTERNATIONAL, INC
 Allentown PA
 610-395-8445
 Mesa AZ
 480-558-7210

TITLE		Rigid Wall II Panel Detail	
DWG. NO.	DR	DATE	10/30/2017
	DMR	DATE	
MATERIAL	APP	DATE	
SH. SIZE	B	SCALE	X:X

REV. NO.	DATE	DESCRIPTION OF REVISION	BY	APP

MFN164 Panel

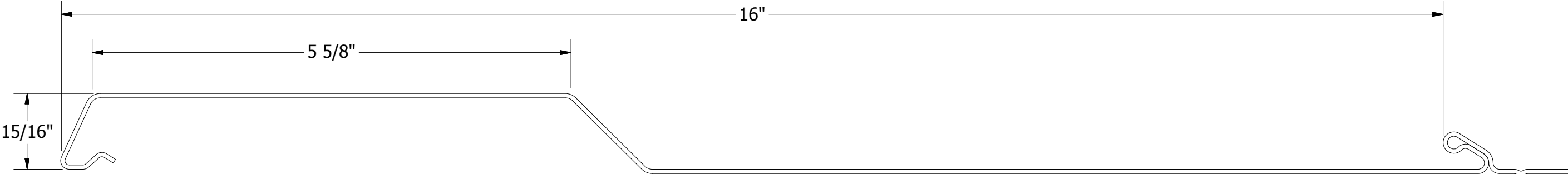
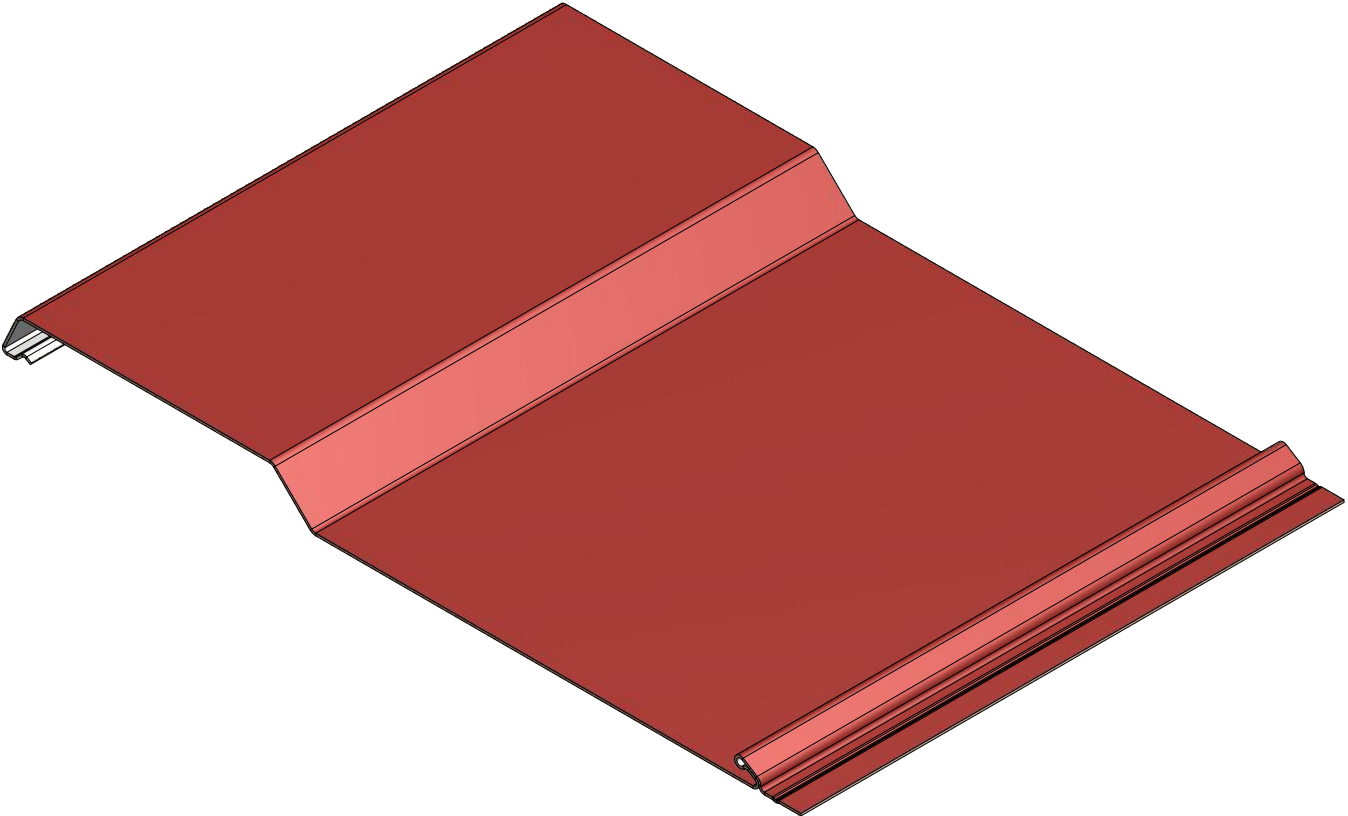


ATAS INTERNATIONAL, INC
 Allentown PA
 610-395-8445
 Mesa AZ
 480-558-7210

TITLE		Rigid Wall II Panel Detail	
DWG. NO.	DR	DATE	10/30/2017
MATERIAL	APP	DATE	
SH. SIZE	B	SCALE	X:X

REV. NO.	DATE	DESCRIPTION OF REVISION	BY	APP

MFN165 Panel

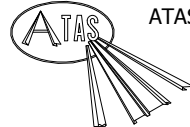
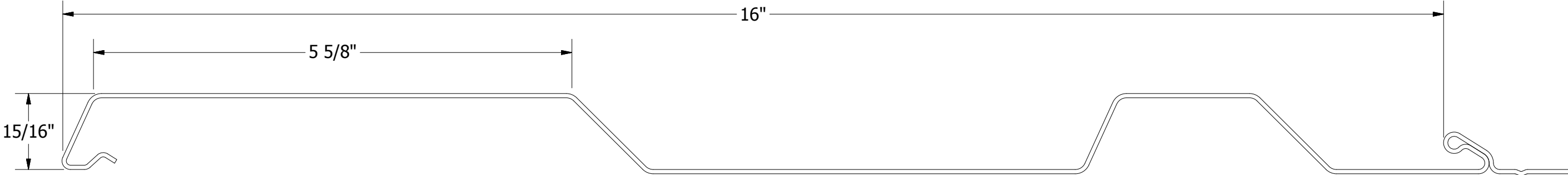
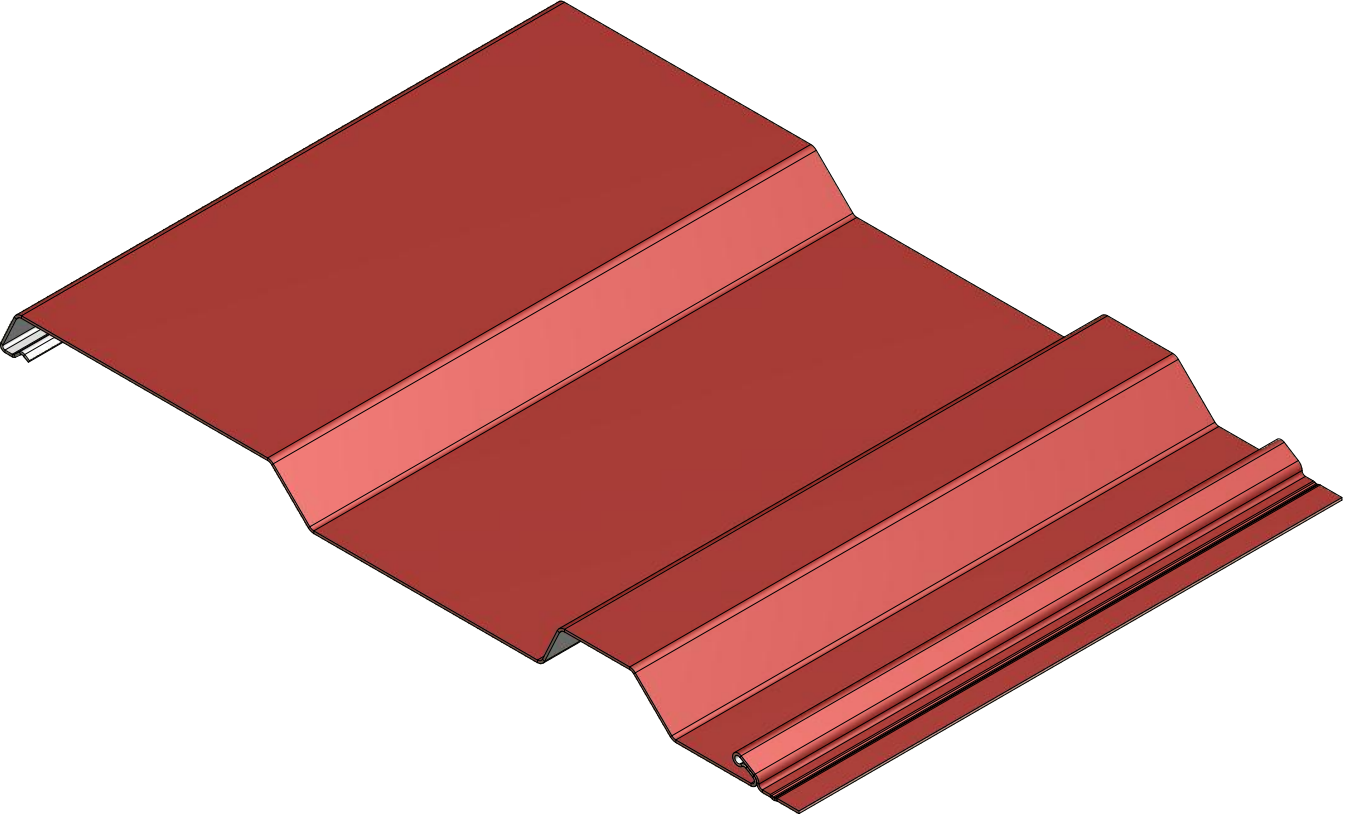



ATAS INTERNATIONAL, INC
 Allentown PA
 610-395-8445
 Mesa AZ
 480-558-7210

TITLE		Rigid Wall II Panel Detail	
DWG. NO.	DR	DATE	10/30/2017
	DMR	DATE	
MATERIAL	APP	SH. SIZE	B
		SCALE	X:X

REV. NO.	DATE	DESCRIPTION OF REVISION	BY	APP

MFN167 Panel



ATAS INTERNATIONAL, INC
 Allentown PA
 610-395-8445
 Mesa AZ
 480-558-7210

TITLE		Rigid Wall II Panel Detail	
DWG. NO.	DR	DATE	10/30/2017
MATERIAL	APP	DATE	
SH. SIZE	B	SCALE	X:X

REV. NO.	DATE	DESCRIPTION OF REVISION	BY	APP