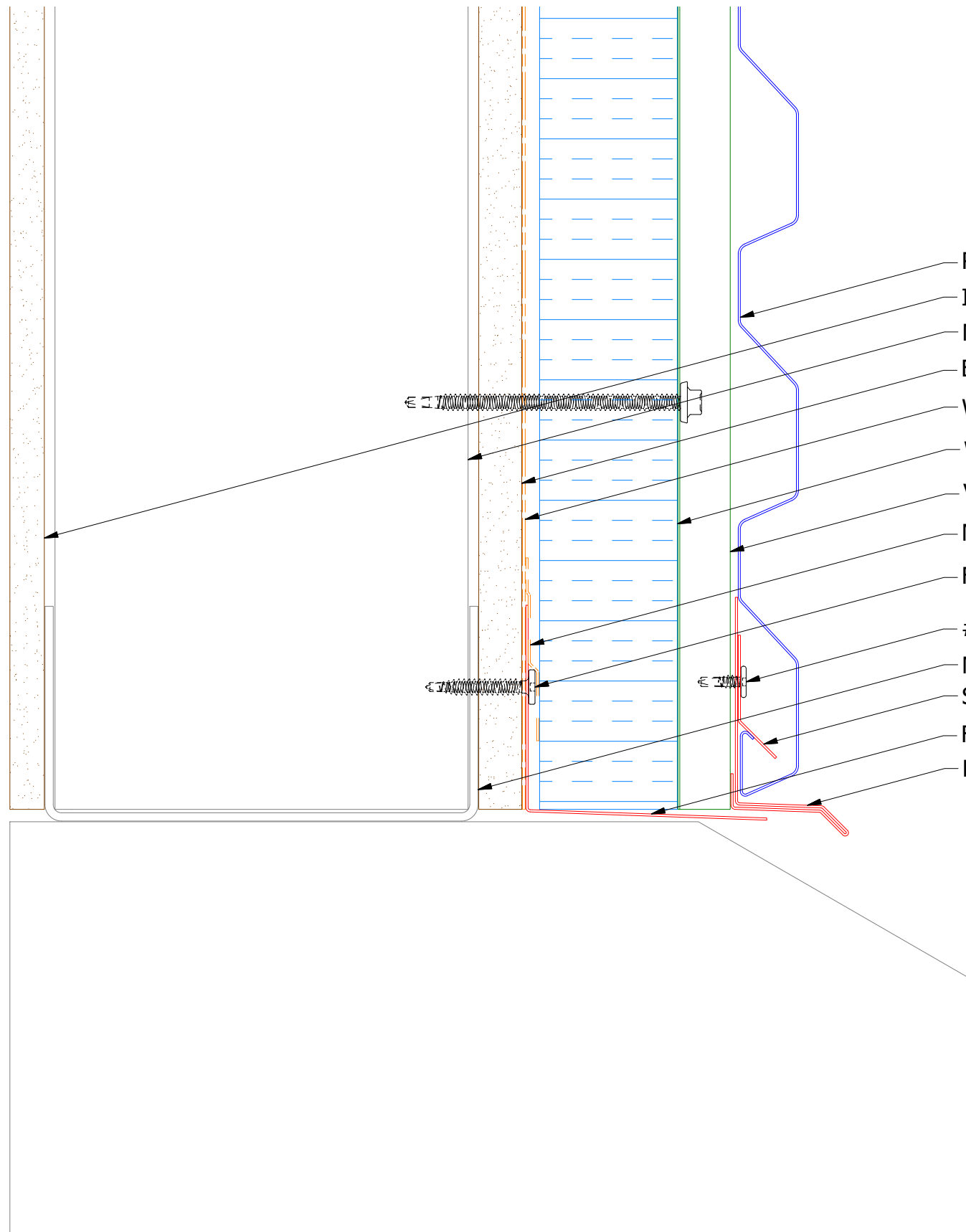
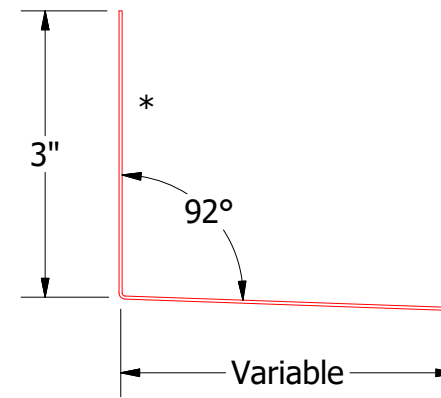


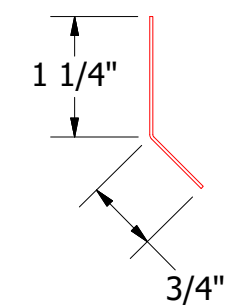
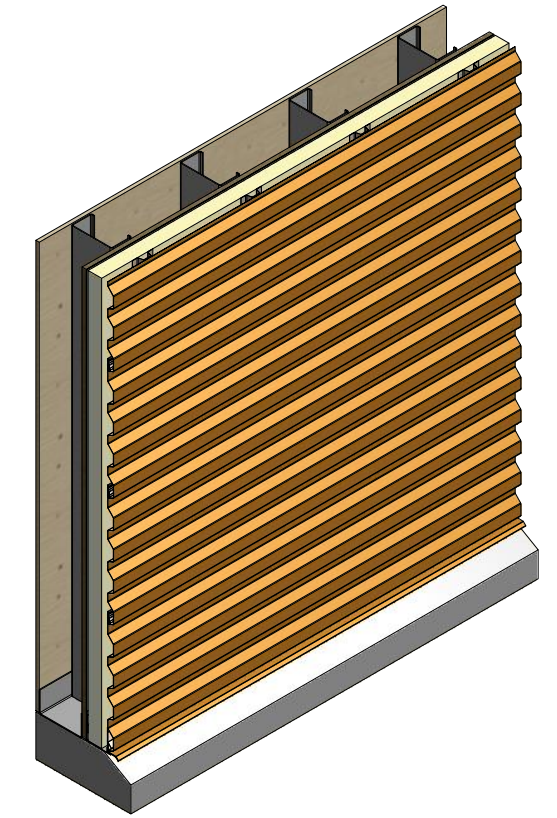
Horizontal Panel



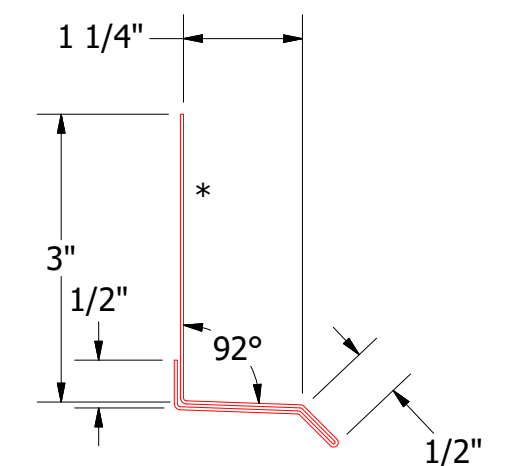
- Rigid Wall Panel
- Interior Finish
- Metal Wall Stud
- Exterior Gypsum Board
- Water and Air Resistive Barrier
- Water Resistant Insulation
- Vertical Subgirt
- Membrane Strip (by others)
- Flashing Fastener (by others)
- #10 x 5/8" Wafer Head Fastener
- Metal Stud
- Starter Cleat
- Flashing by others
- Base Trim



Flashing
(Field Fabricated From Color Matched Flat Stock)



MCA995-Starter Cleat



MCA661-Base Trim

ATAS ATAS INTERNATIONAL, INC
 Allentown PA
 610-395-8445
 Mesa AZ
 480-558-7210

REV. NO.		DATE	DESCRIPTION OF REVISION	BY	APP	TITLE		Rigid Wall Open Base Detail	
DWG. NO.		DR	DMR	DATE	3/22/2017	MATERIAL		SH. SIZE	B
				SCALE	X:X				