

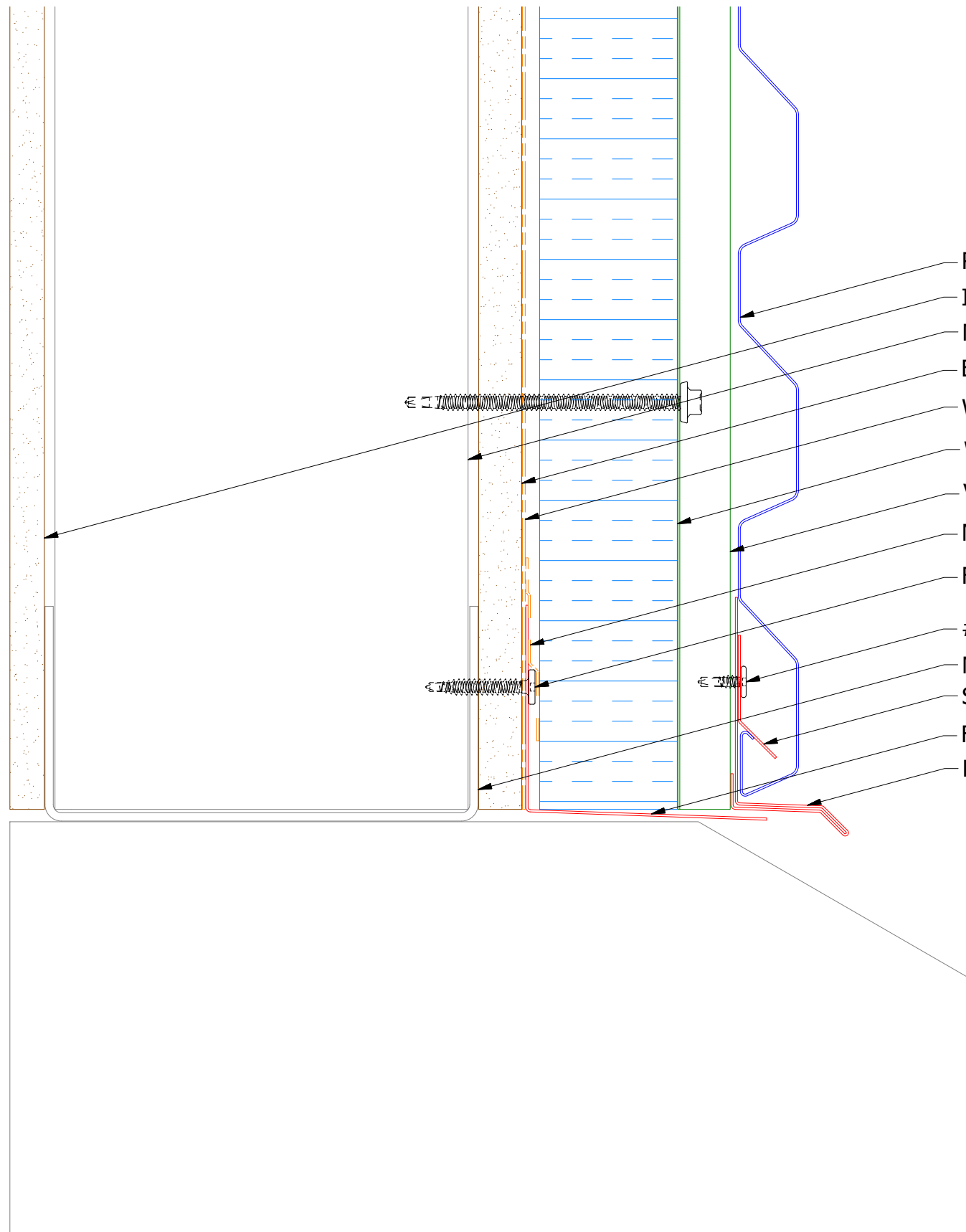
**ATAS INTERNATIONAL, INC**  
 Allentown PA  
 610-395-8445  
 Mesa AZ  
 480-558-7210

TITLE **Rigid Wall Panel Profile Detail**

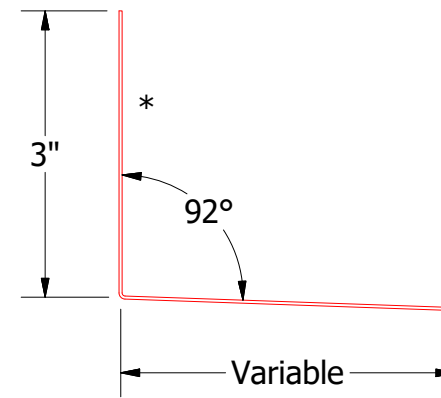
DWG. NO.	DR	DATE
	DMR	4/11/2017
MATERIAL	APP	DATE
	SH. SIZE	SCALE
	B	X:X

REV. NO.	DATE	DESCRIPTION OF REVISION	BY	APP

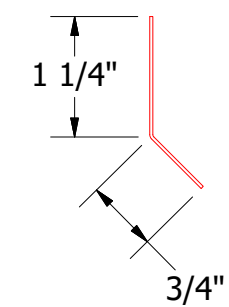
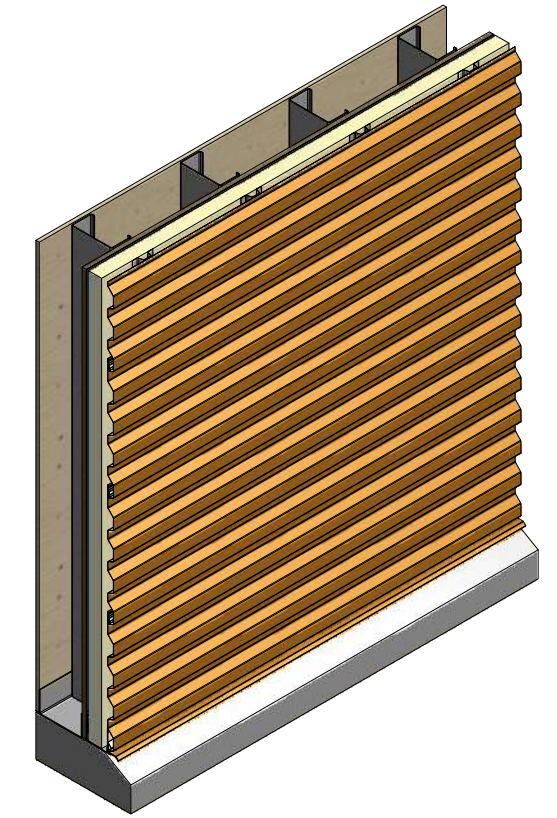
# Horizontal Panel



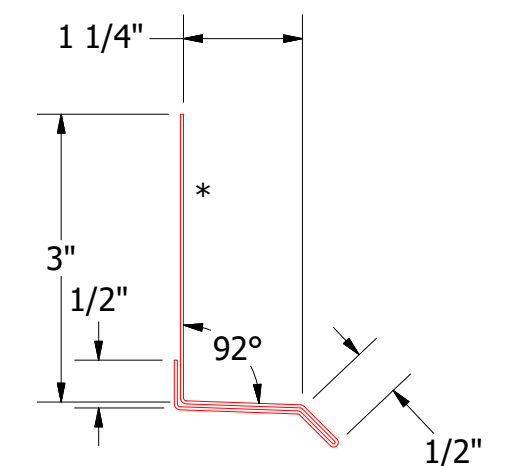
- Rigid Wall Panel
- Interior Finish
- Metal Wall Stud
- Exterior Gypsum Board
- Water and Air Resistive Barrier
- Water Resistant Insulation
- Vertical Subgirt
- Membrane Strip (by others)
- Flashing Fastener (by others)
- #10 x 5/8" Wafer Head Fastener
- Metal Stud
- Starter Cleat
- Flashing by others
- Base Trim



**Flashing**  
(Field Fabricated From Color Matched Flat Stock)



**MCA995-Starter Cleat**

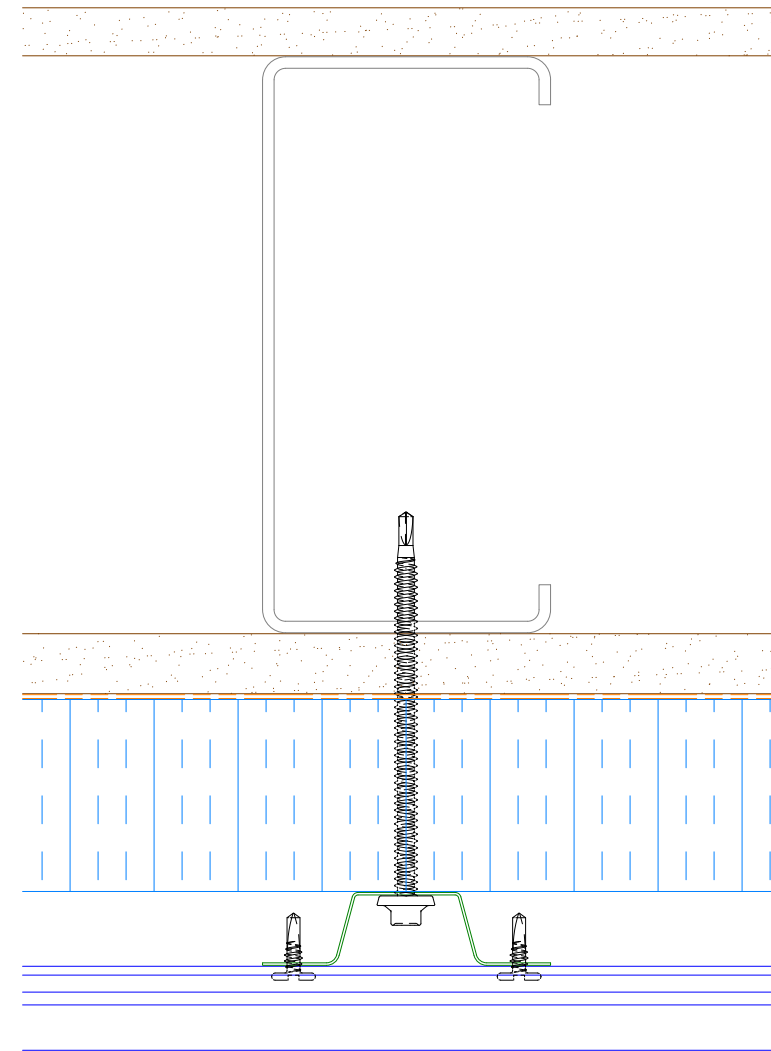
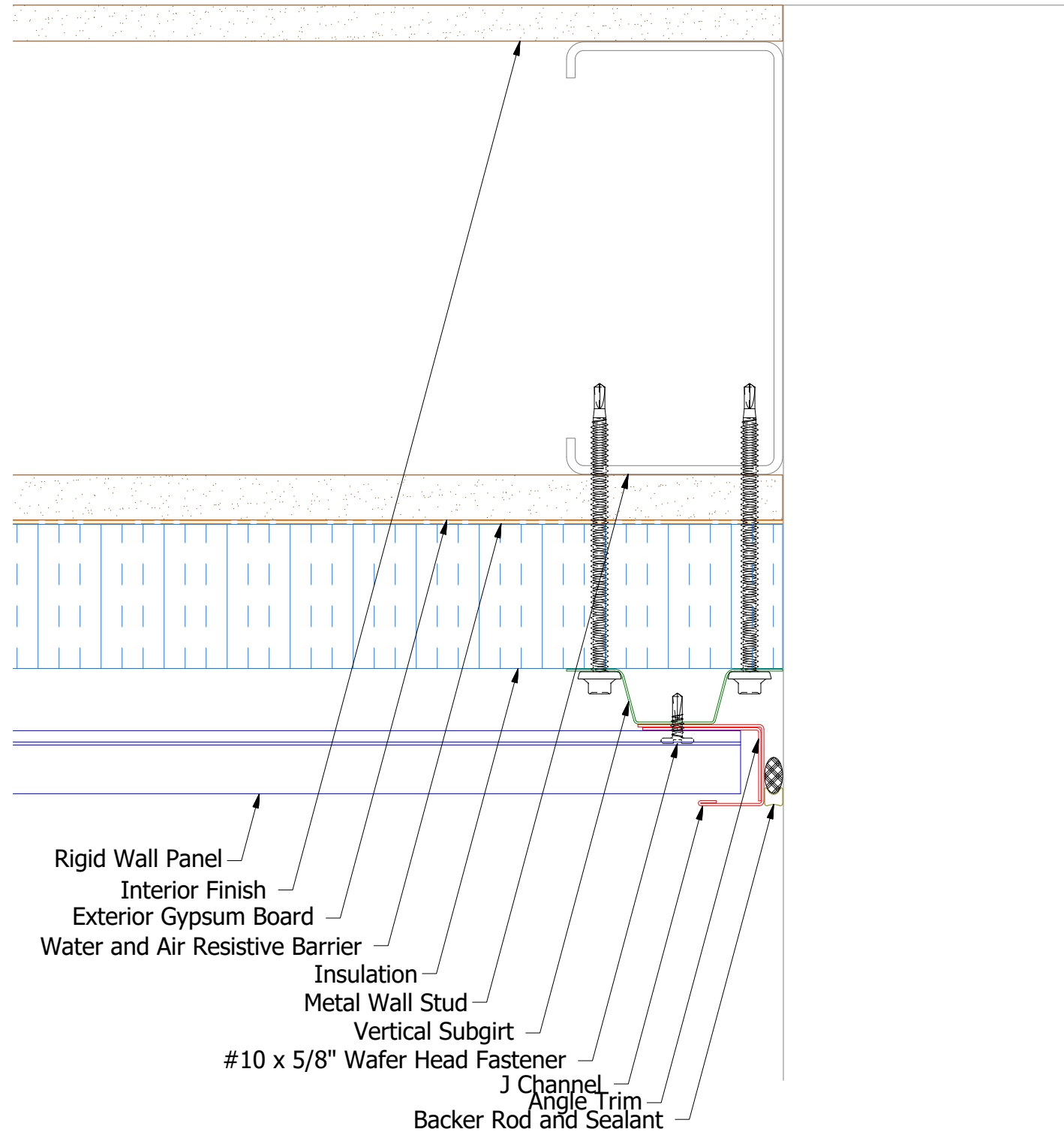


**MCA661-Base Trim**

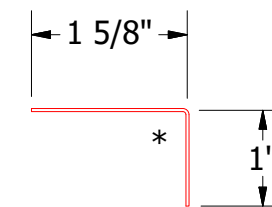
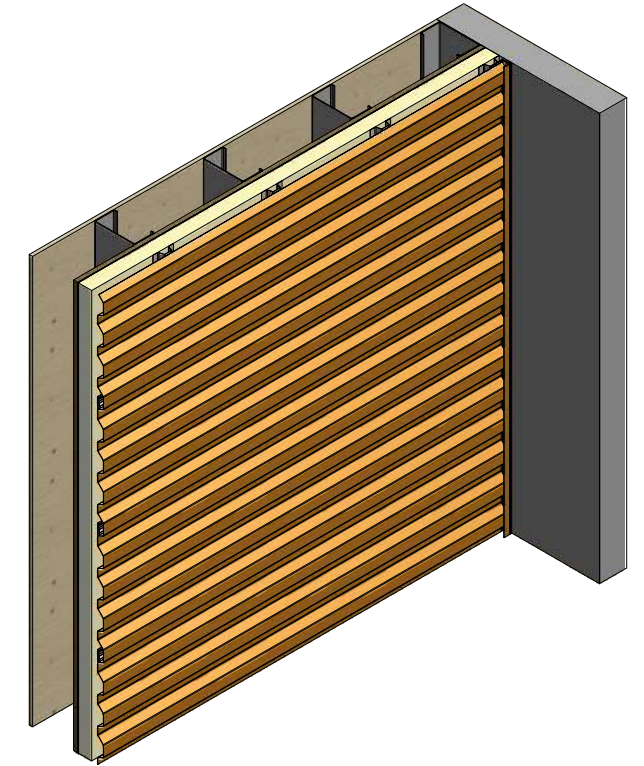
**ATAS** ATAS INTERNATIONAL, INC  
 Allentown PA  
 610-395-8445  
 Mesa AZ  
 480-558-7210

REV. NO.		DATE	DESCRIPTION OF REVISION	BY	APP	TITLE		Rigid Wall Open Base Detail	
DWG. NO.		DR	DMR	DATE	3/22/2017	MATERIAL		SH. SIZE	B
		SCALE		X:X					

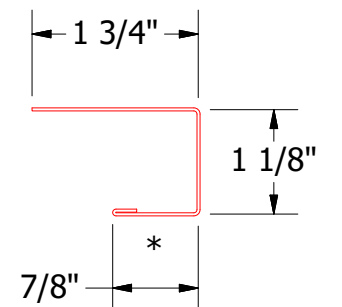
# Horizontal Panel



Alternate Subgirt Orientation



MCA680-Angle Trim



MCA118-J Channel

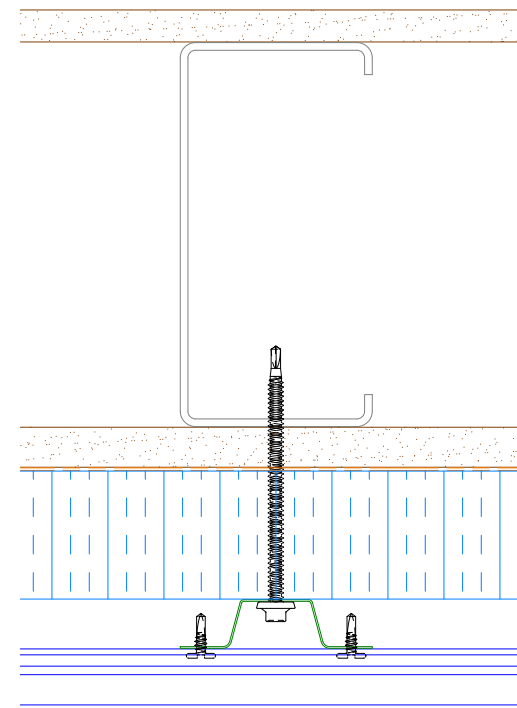
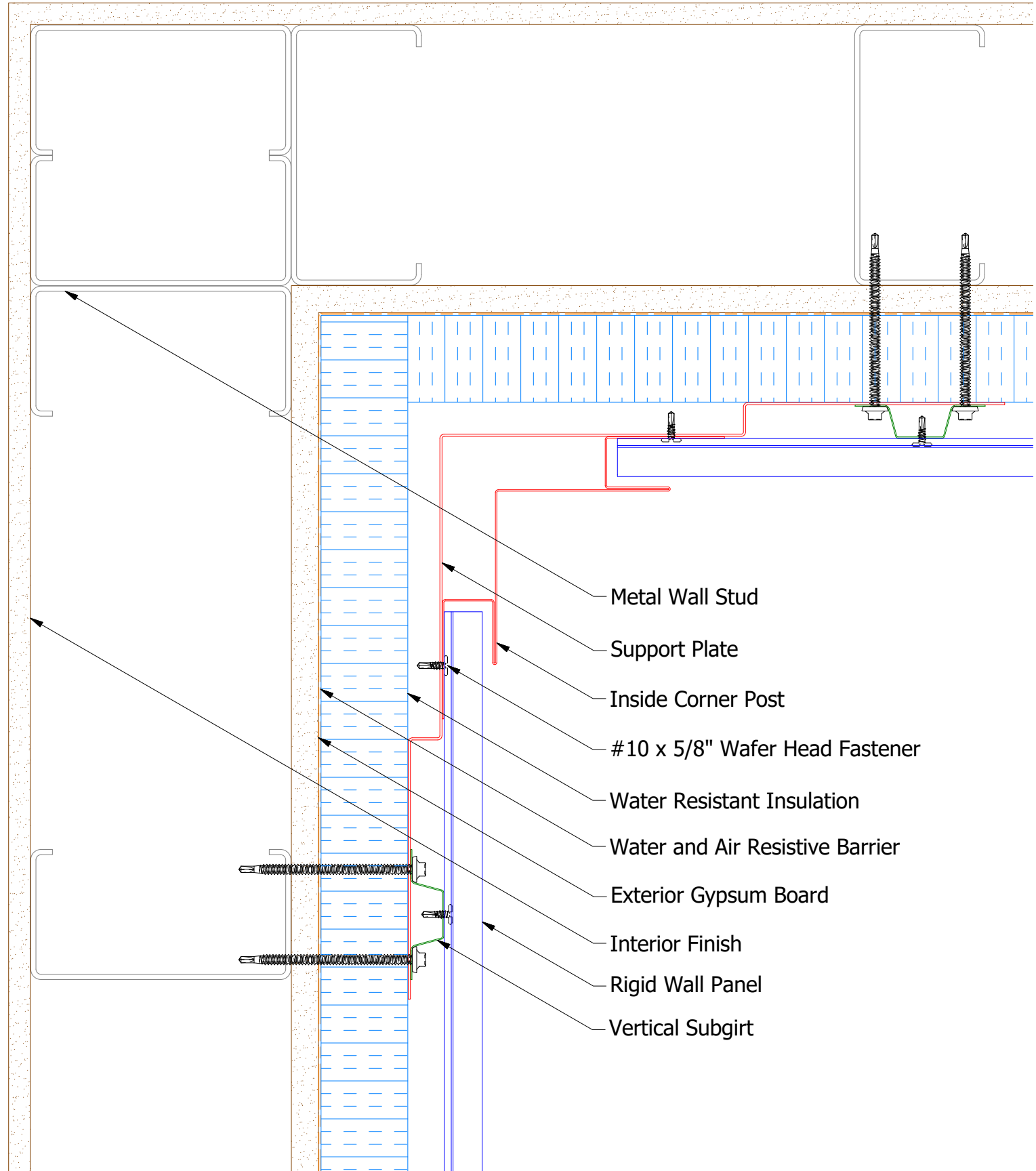


ATAS INTERNATIONAL, INC  
 Allentown PA  
 610-395-8445  
 Mesa AZ  
 480-558-7210

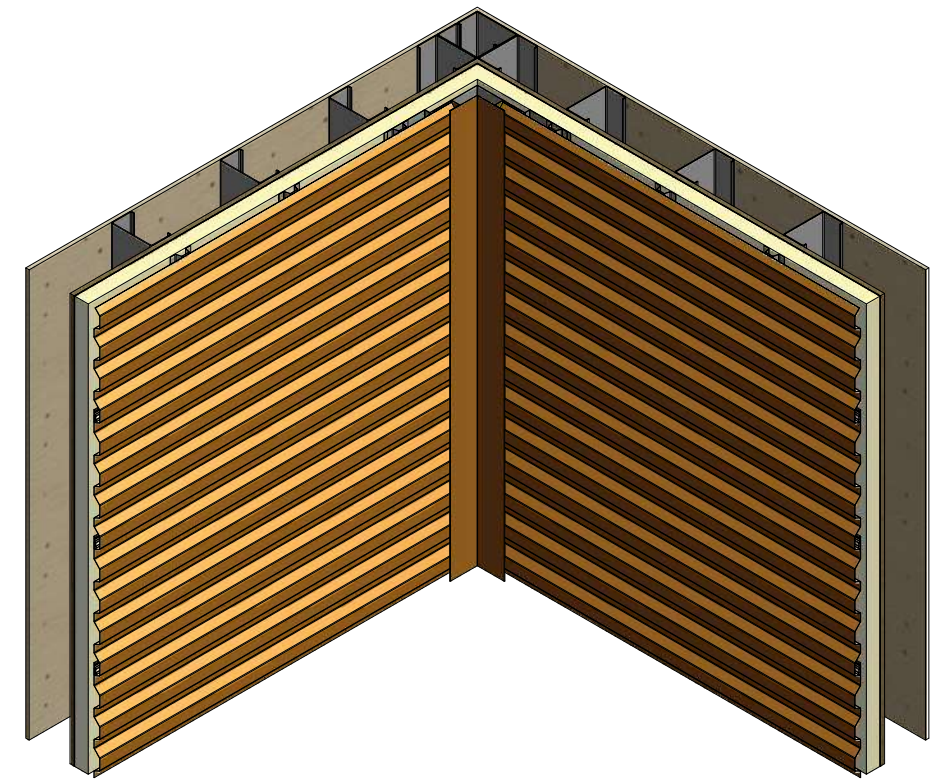
TITLE Rigid Wall Open Endwall Detail

REV. NO.	DATE	DESCRIPTION OF REVISION	BY	APP	DWG. NO.	DR	DMR	DATE	3/24/2017
						APP		DATE	
					MATERIAL	SH. SIZE	B	SCALE	X:X

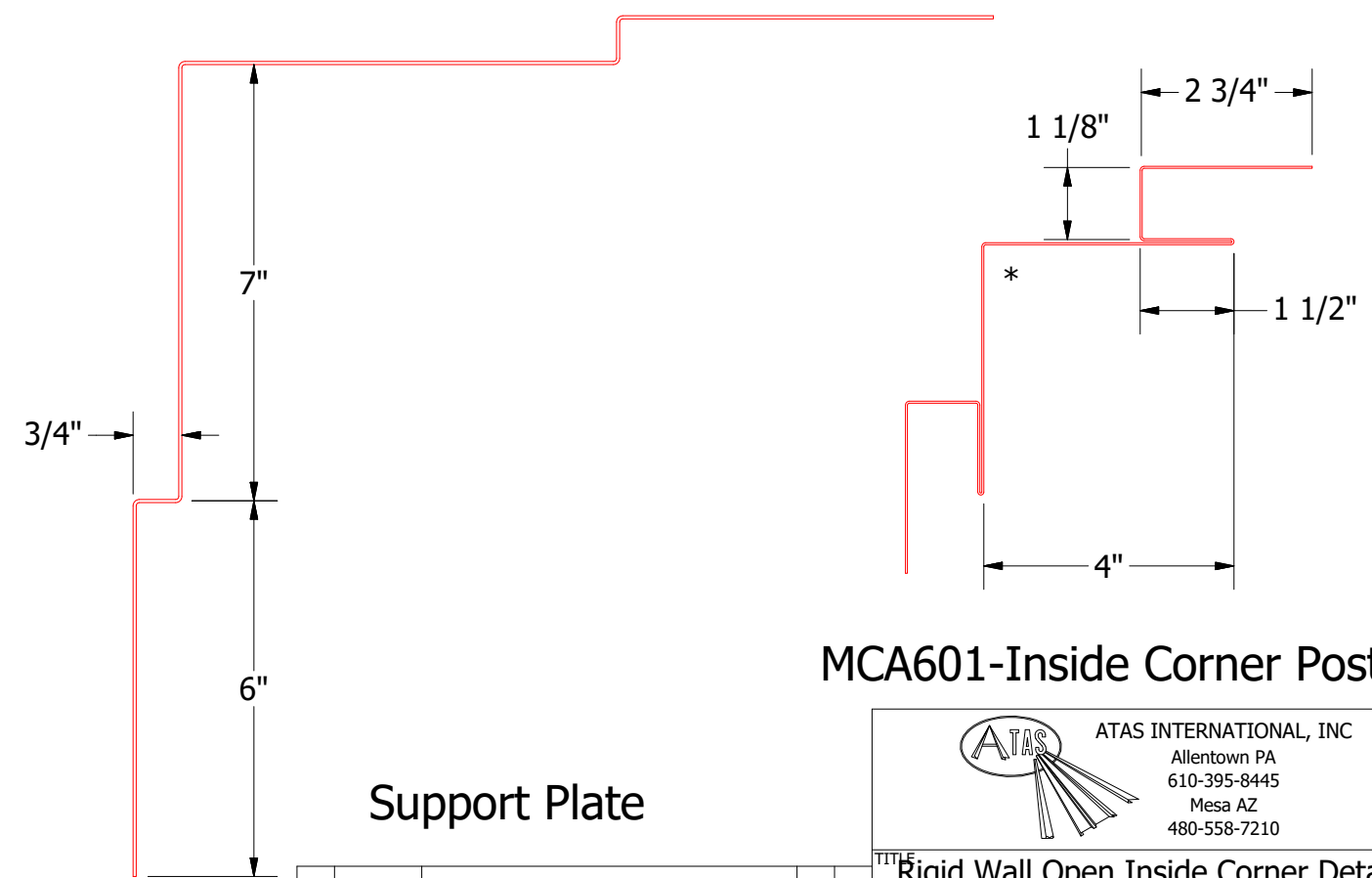
# Horizontal Panel



Alternate Subgirt Orientation




- Metal Wall Stud
- Support Plate
- Inside Corner Post
- #10 x 5/8" Wafer Head Fastener
- Water Resistant Insulation
- Water and Air Resistive Barrier
- Exterior Gypsum Board
- Interior Finish
- Rigid Wall Panel
- Vertical Subgirt



MCA601-Inside Corner Post

Support Plate

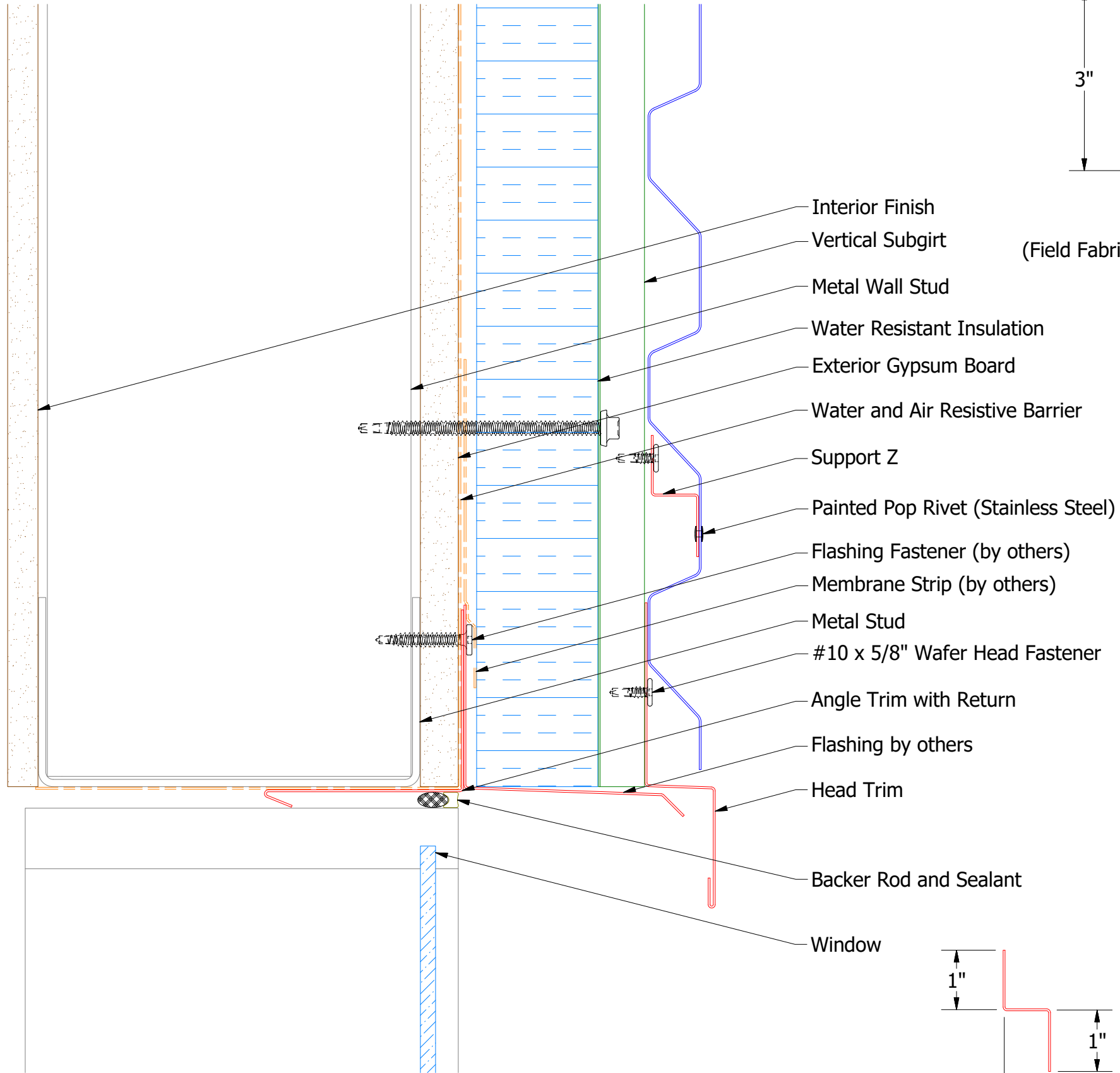
**NOTE:** Optional 18 GA. Plate for Outside Corner Post Available

 <b>ATAS INTERNATIONAL, INC</b> Allentown PA 610-395-8445 Mesa AZ 480-558-7210		TITLE <b>Rigid Wall Open Inside Corner Detail</b>	
		DWG. NO.	DR DMR
REV. NO.	DATE	DESCRIPTION OF REVISION	BY APP
MATERIAL		SH. SIZE B	SCALE X:X

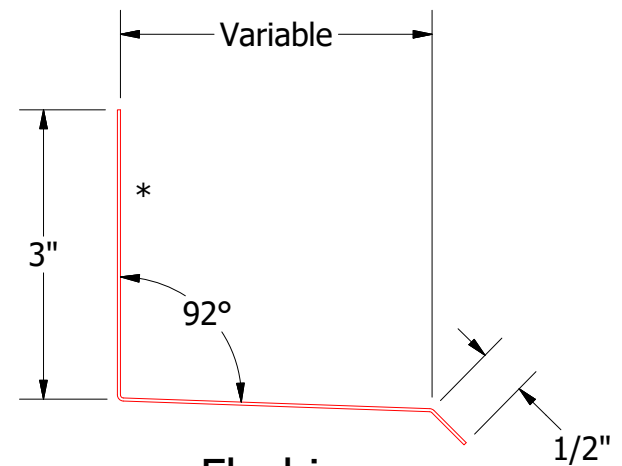




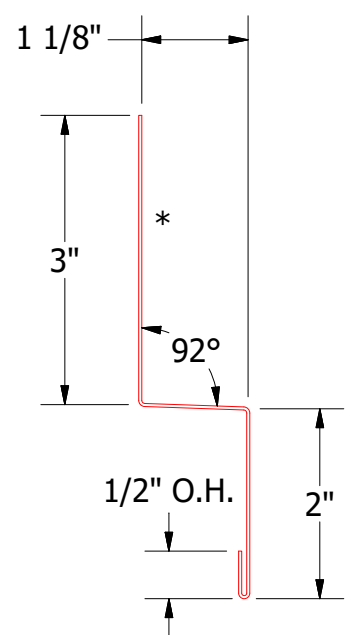
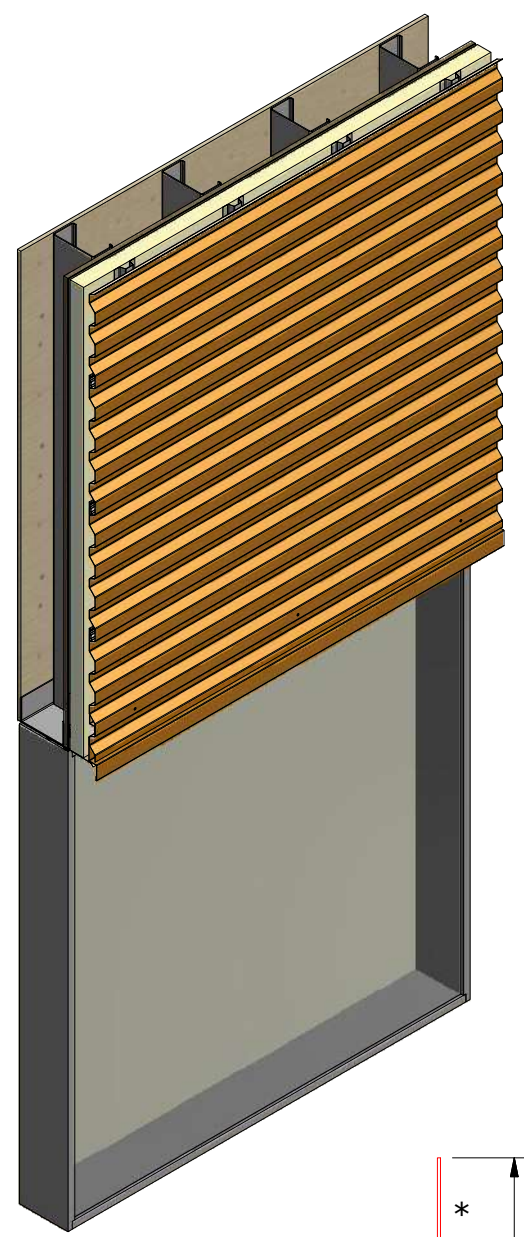
# Horizontal Panel



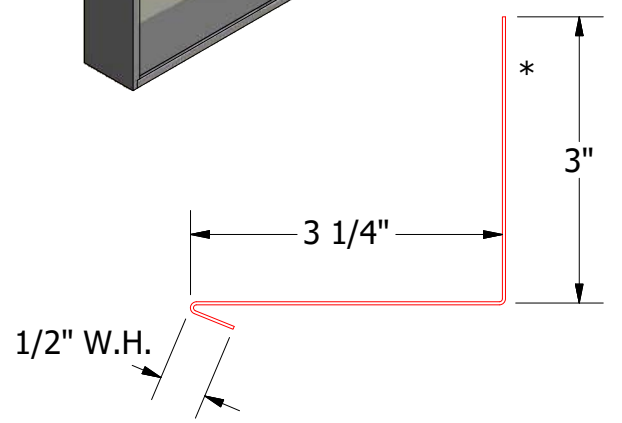
- Interior Finish
- Vertical Subgirt
- Metal Wall Stud
- Water Resistant Insulation
- Exterior Gypsum Board
- Water and Air Resistive Barrier
- Support Z
- Painted Pop Rivet (Stainless Steel)
- Flashing Fastener (by others)
- Membrane Strip (by others)
- Metal Stud
- #10 x 5/8" Wafer Head Fastener
- Angle Trim with Return
- Flashing by others
- Head Trim
- Backer Rod and Sealant
- Window



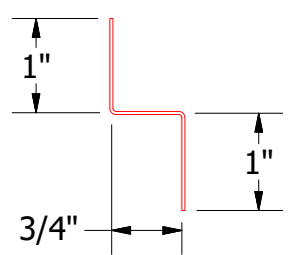
**Flashing**  
(Field Fabricated From Color Matched Flat Stock)



**MCA550-Head Trim**



**MCA683-Angle Trim with Return**



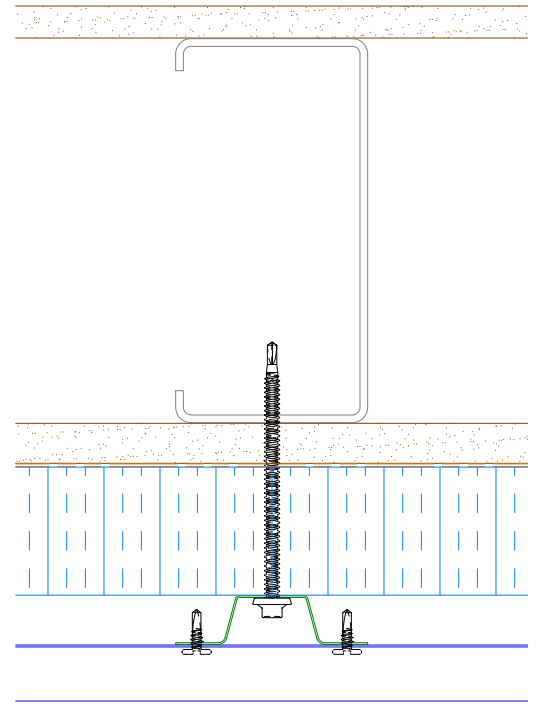
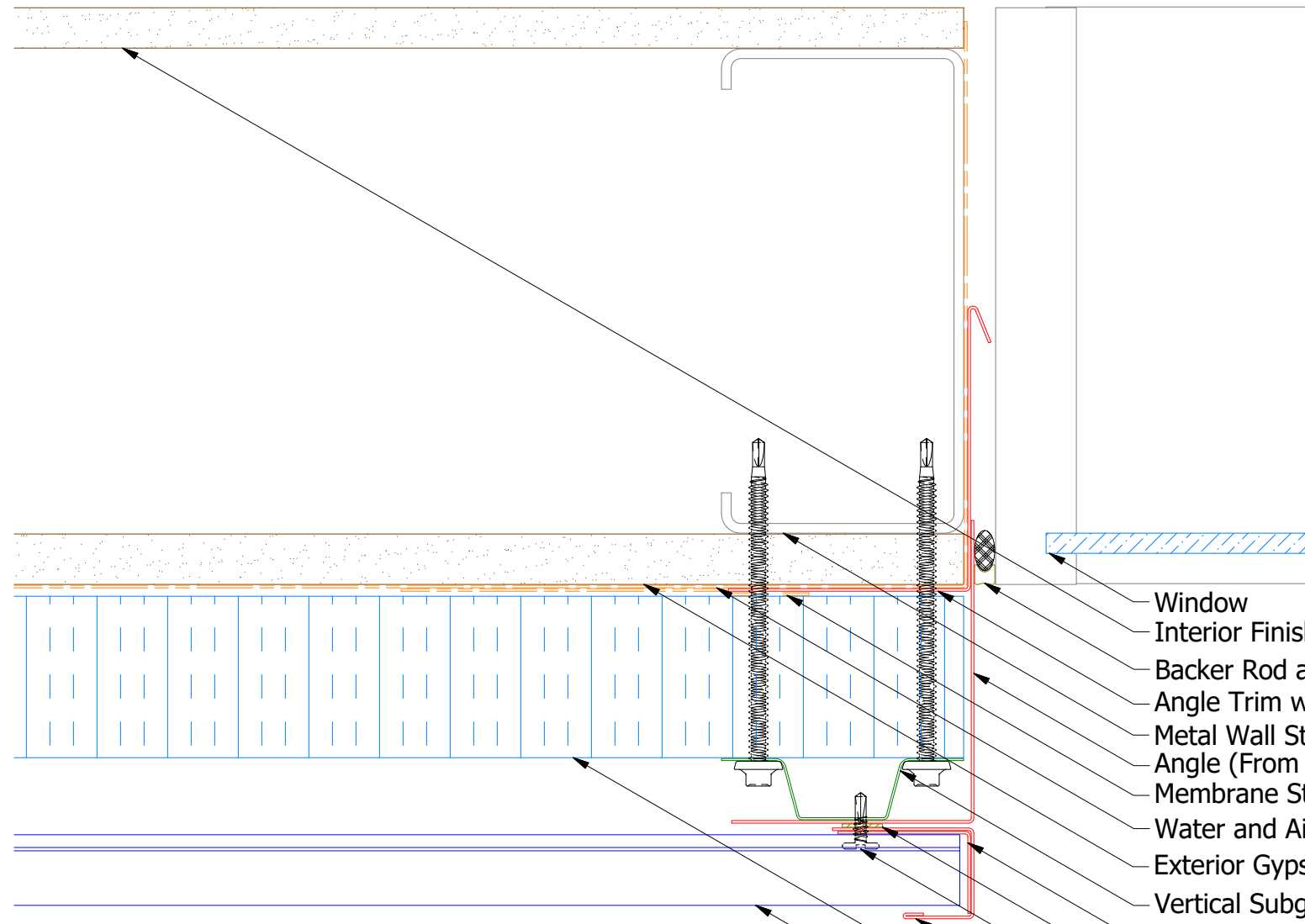
**MCA681-Support Z**

**ATAS** ATAS INTERNATIONAL, INC  
 Allentown PA  
 610-395-8445  
 Mesa AZ  
 480-558-7210

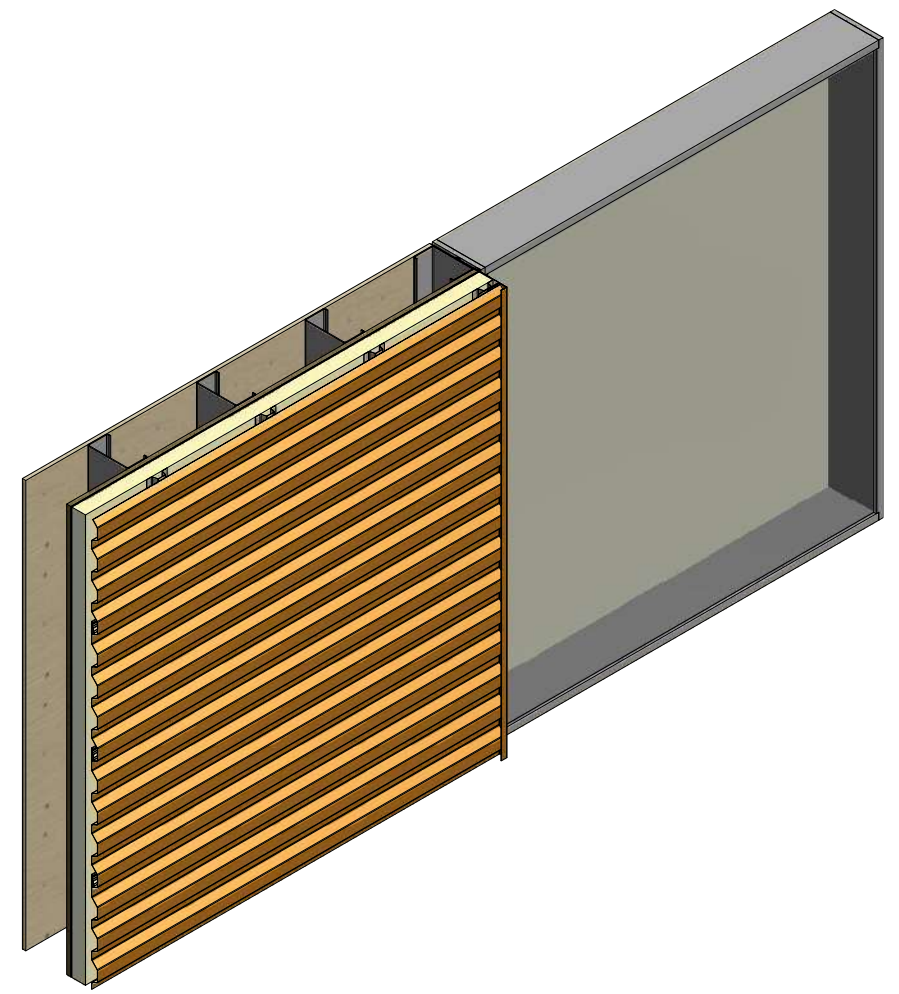
TITLE		Rigid Wall Open Head Detail	
DWG. NO.	DR	DATE	3/28/2017
	DMR		
MATERIAL	APP	DATE	
SH. SIZE	B	SCALE	X:X

REV. NO.	DATE	DESCRIPTION OF REVISION	BY	APP

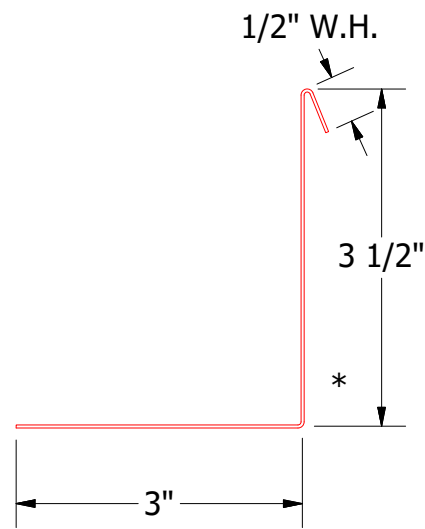
# Horizontal Panel



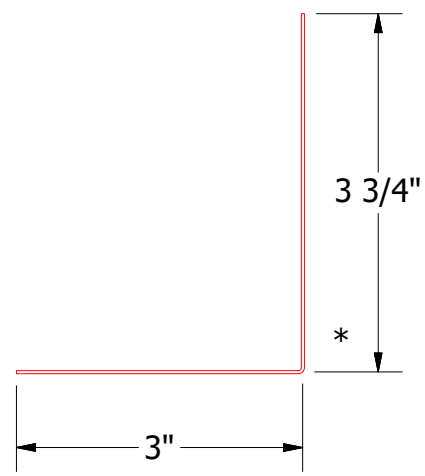
## Alternate Subgirt Orientation



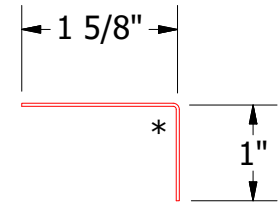
- Window
- Interior Finish
- Backer Rod and Sealant
- Angle Trim with Return
- Metal Wall Stud
- Angle (From Flatstock)
- Membrane Strip over Angle Trim with Return
- Water and Air Resistive Barrier
- Exterior Gypsum Board
- Vertical Subgirt
- Angle Trim
- Butyl Tape
- #10 x 5/8" Wafer Head Fastener
- J Channel
- Water Resistant Insulation
- Rigid Wall Panel



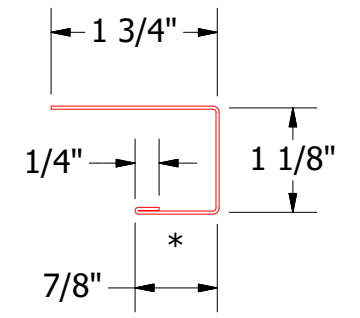
MCA683-Angle Trim with Return



Angle



MCA680-Angle Trim



MCA118-J Channel

Note: \* denotes color side.

REV. NO.		DATE	DESCRIPTION OF REVISION	BY	APP
TITLE: Rigid Wall Open Jamb Detail					
DWG. NO.		DR	DMR	DATE	3/29/2017
MATERIAL		APP		DATE	
SH. SIZE		B	SCALE	X:X	

**ATAS** ATAS INTERNATIONAL, INC  
 Allentown PA  
 610-395-8445  
 Mesa AZ  
 480-558-7210



