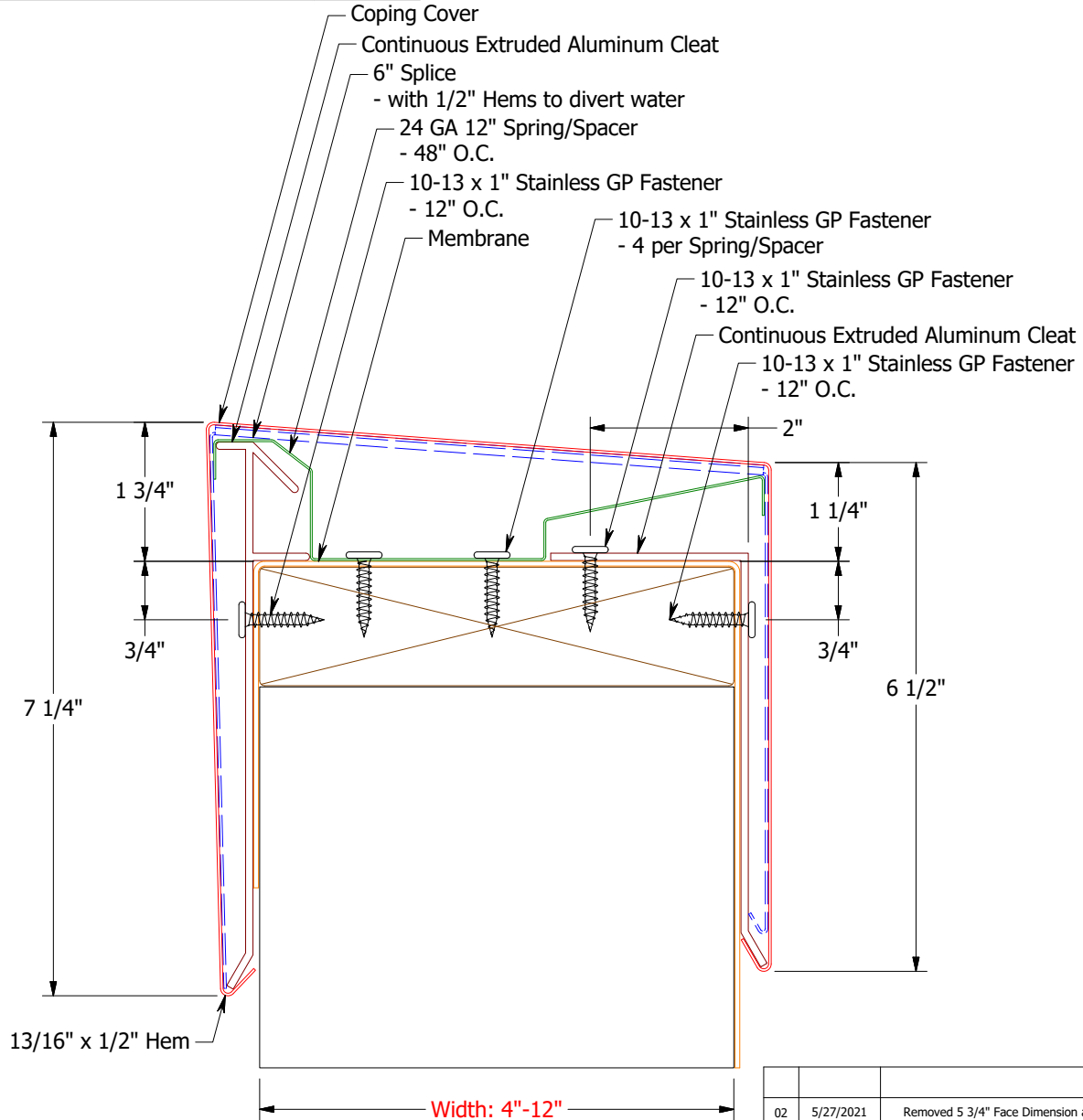
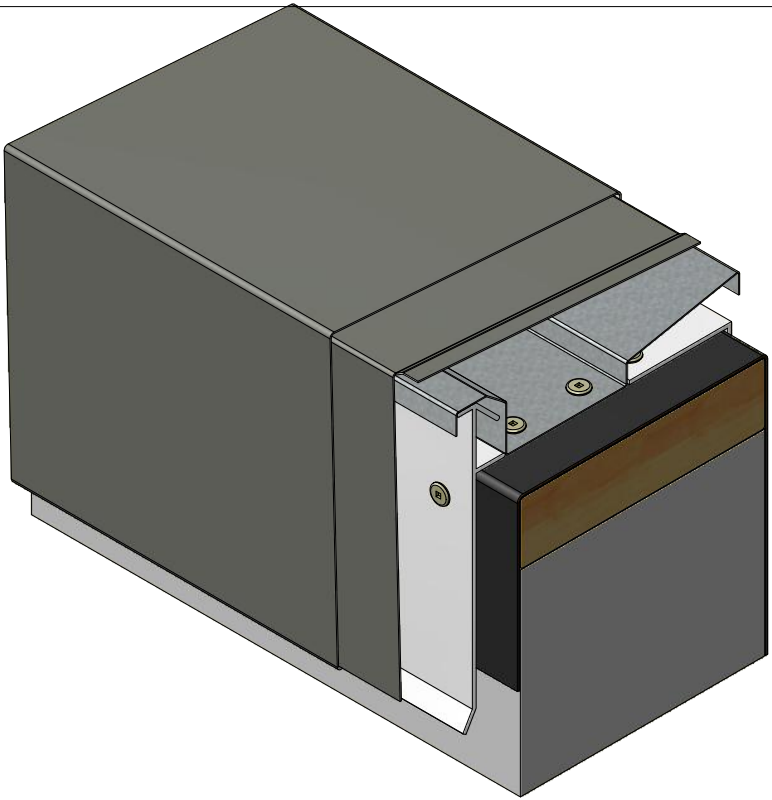


BOM per 12'		Standard Materials	
Component	Quantity	Available Gauges	Materials
Coping Cover	1	Pre-Finished Steel	24 GA, 22 GA
Extruded Cleat	1	Stainless Steel	24 GA, 22 GA
6" Splice	1	Pre-Finished Alum.	.040, .050, .063
24 GA 12" Spring/Spacer	3	Mill Alum.	.040, .050, .063
10-13 x 1" Stainless GP Fastener	41		



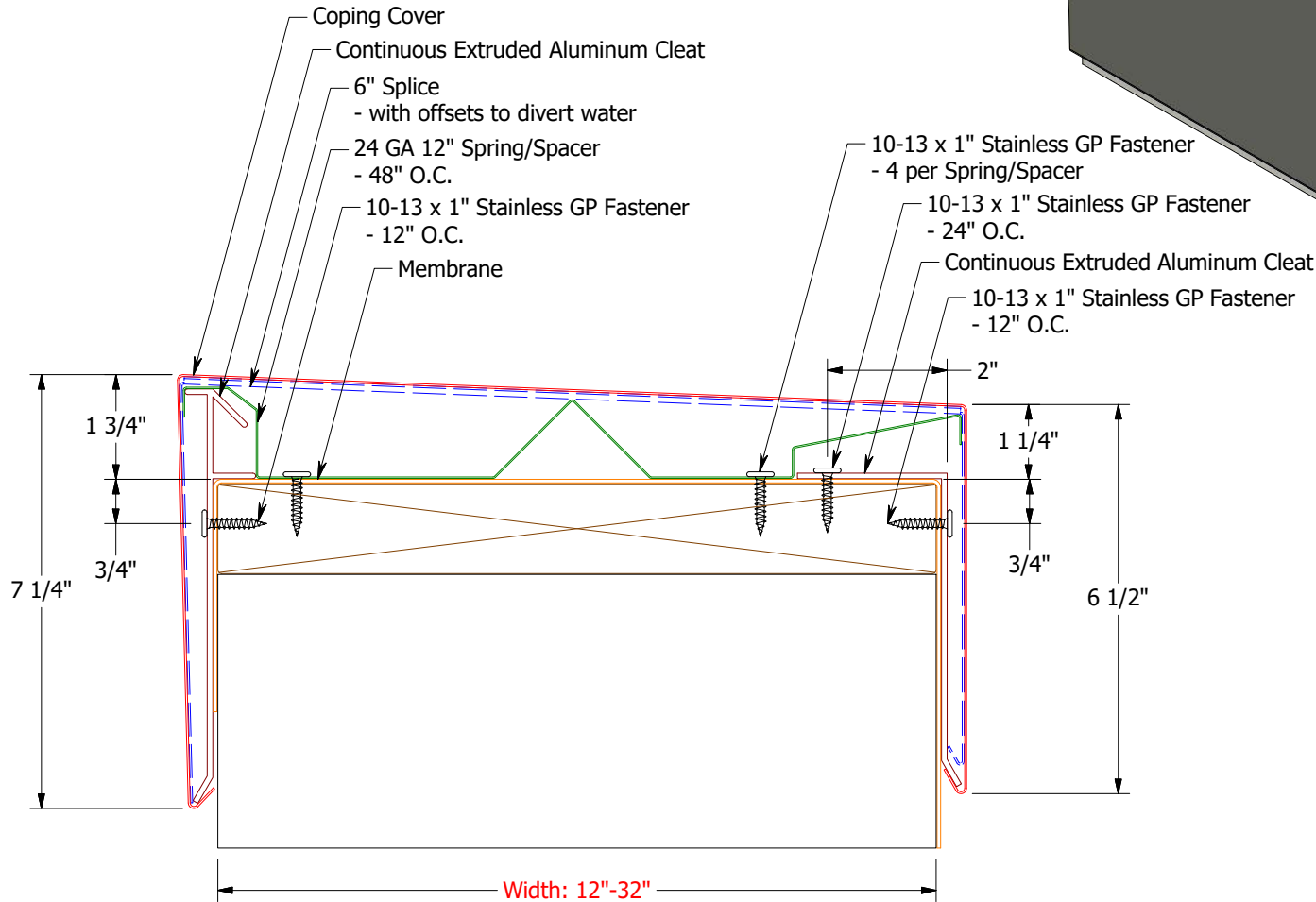
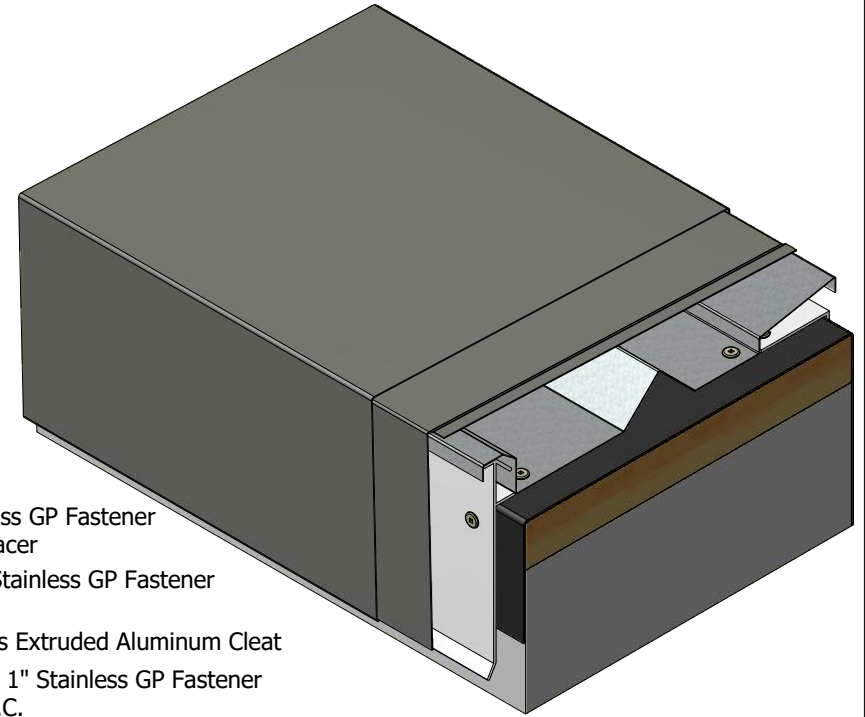

ATAS INTERNATIONAL, INC
 Allentown PA
 610-395-8445
 Mesa AZ
 480-558-7210

TITLE		Rapid Lok Ultra Coping Product Detail	
DR	PJR	DATE	09-10-15
APP		DATE	
SH. SIZE	A	SCALE	X:X

REV. NO.	DATE	DESCRIPTION OF REVISION	BY	APP
02	5/27/2021	Removed 5 3/4" Face Dimension and 5" Back Dimension.	KRK	
01	12/13/2019	Updated Fastener Material to Stainless Steel	DMR	

BOM per 12'	
Component	Quantity
Coping Cover	1
Extruded Cleat	1
6" Splice	1
24 GA 12" Spring/Spacer	3
10-13 x 1" Stainless GP Fastener	41

Standard Materials	
Available Gauges	Materials
Pre-Finished Steel	24 GA, 22 GA
Stainless Steel	24 GA, 22 GA
Pre-Finished Alum.	.040, .050, .063
Mill Alum.	.040, .050, .063



	ATAS INTERNATIONAL, INC Allentown PA 610-395-8445 Mesa AZ 480-558-7210		
	TITLE Rapid Lok Ultra Coping Product Detail		
DWG. NO.	DR PJR	DATE 09-10-15	
MATERIAL	APP	DATE	
REV. NO.	DATE	DESCRIPTION OF REVISION	BY APP
	SH. SIZE A	SCALE X:X	

REV. NO.	DATE	DESCRIPTION OF REVISION	BY	APP
02	5/27/2021	Removed 5 3/4" Face Dimension and 5" Back Dimension.	KRK	
01	12/13/2019	Updated Fastener Material to Stainless Steel	DMR	