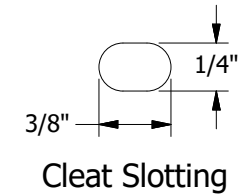
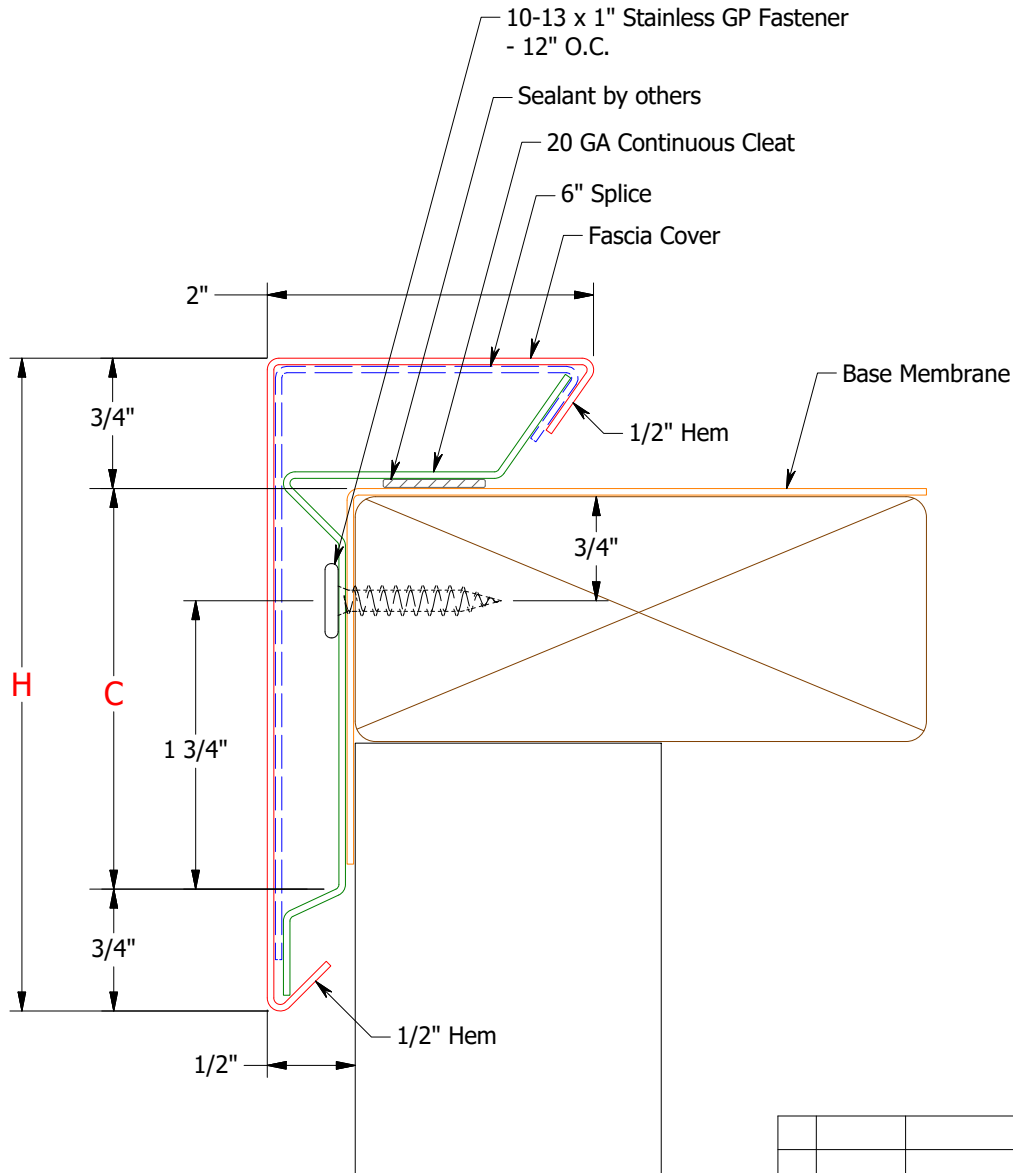
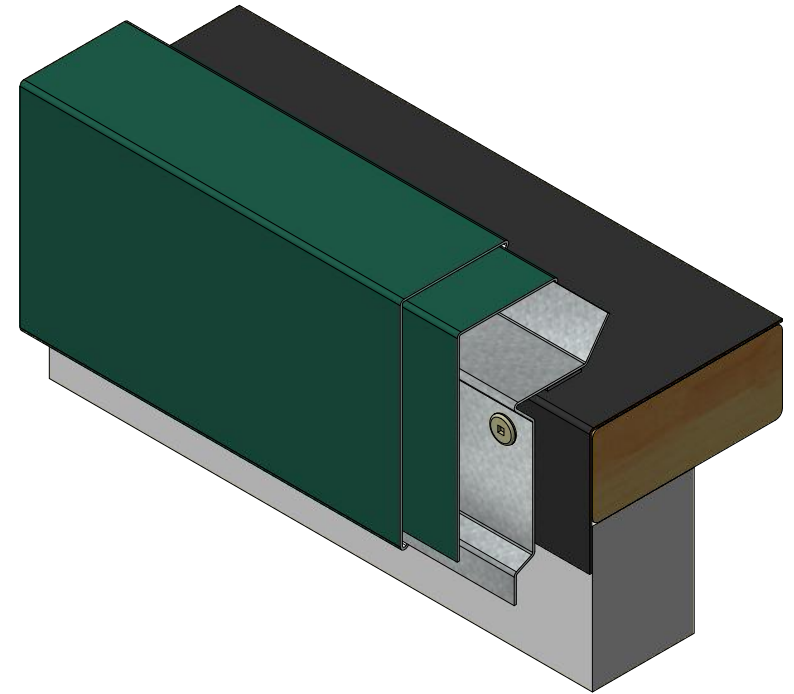


BOM per 12'	
Component	Quantity
Fascia Cover	1
6" Splice	1
20 GA Continuous Cleat	1
10-13 x 1" Stainless GP Fastener	12

Standard Materials	
Material	Available Gauges
Pre-Finished Steel	24 GA, 22 GA
Stainless Steel	24 GA, 22 GA
Pre-Finished Alum.	.040, .050, .063
Mill Alum.	.040, .050, .063

Dimensions	
Coverage (C)	Height (H)
2-1/2"	4"
4"	5-1/2"



Tested per ANSI/SPRI ES-1



ATAS INTERNATIONAL, INC
 Allentown PA
 610-395-8445
 Mesa AZ
 480-558-7210

TITLE **Rapid Lok Fascia Product Detail**

01	12/12/2019	Updated Fastener Material to Stainless Steel.	KRK	DWG. NO.	DR	PJR	DATE	08-13-15	
REV. NO.	DATE	DESCRIPTION OF REVISION	BY	APP	MATERIAL	SH. SIZE	A	SCALE	X:X

