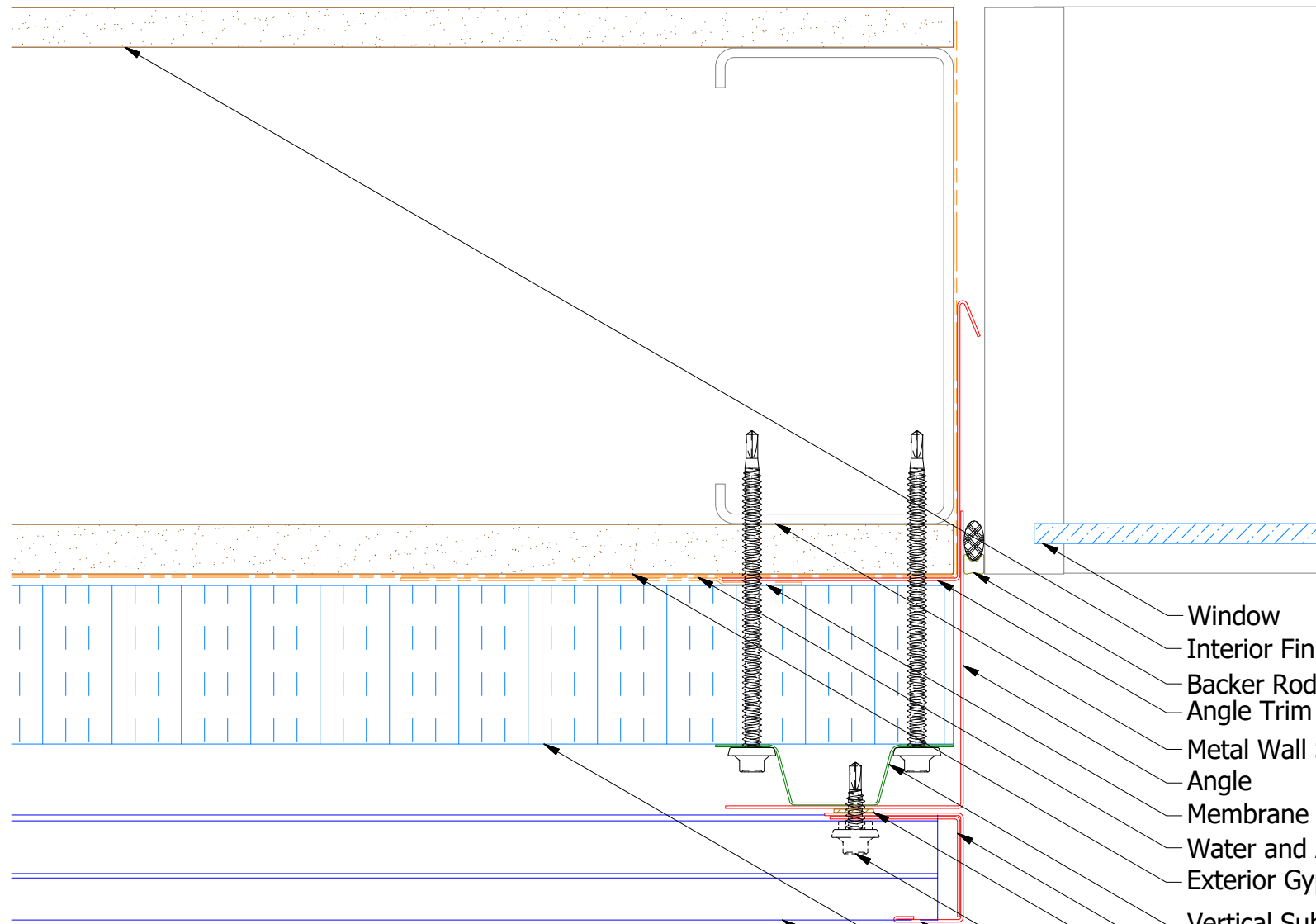
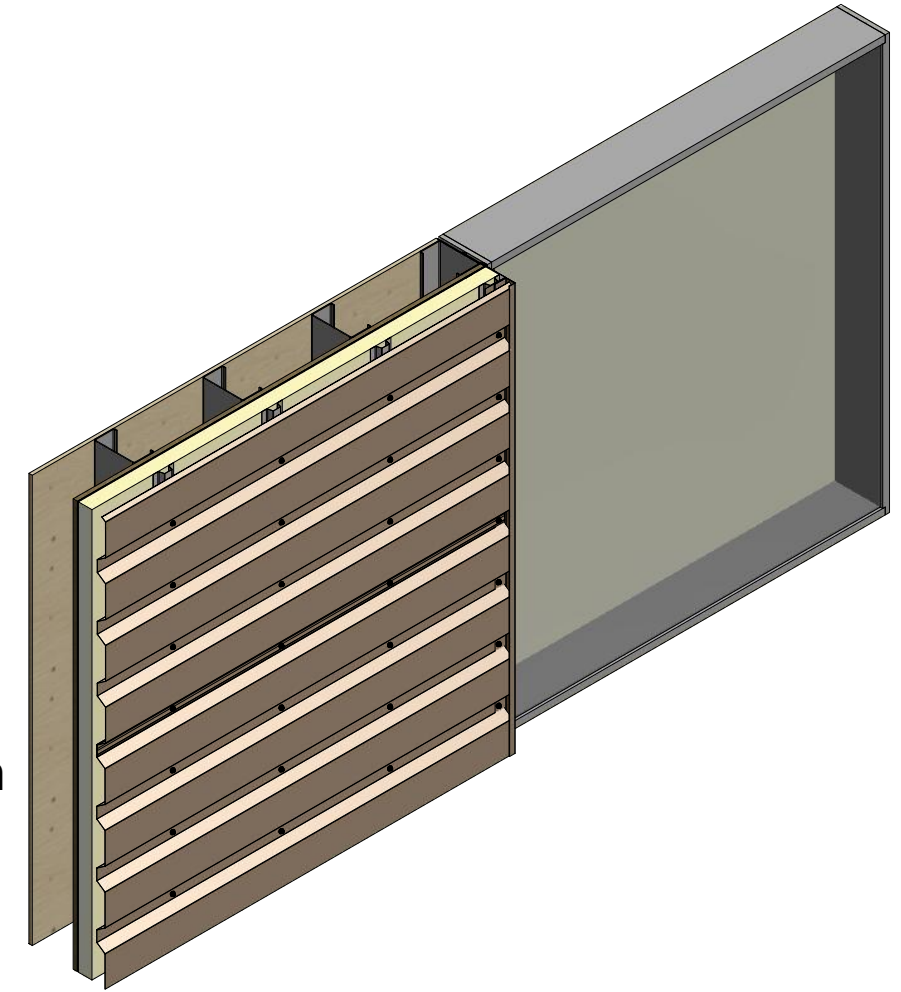
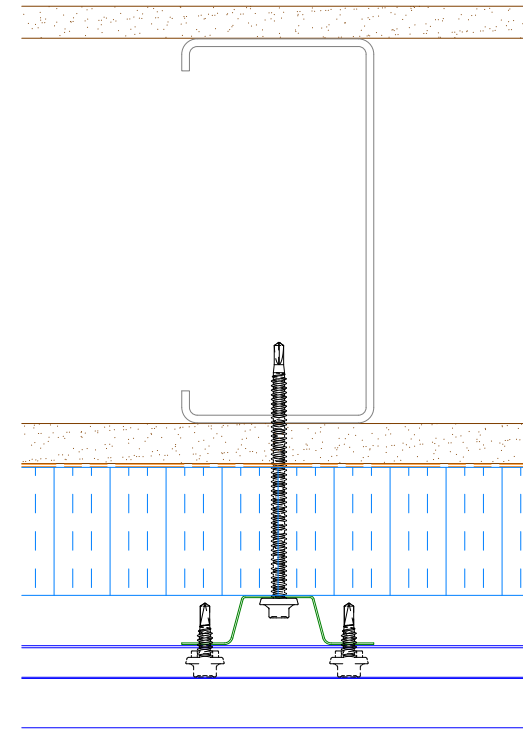


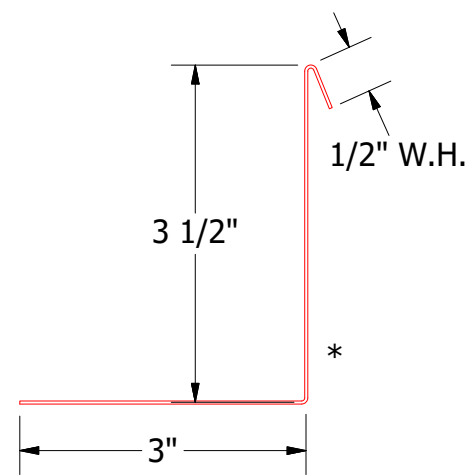
Horizontal Panel



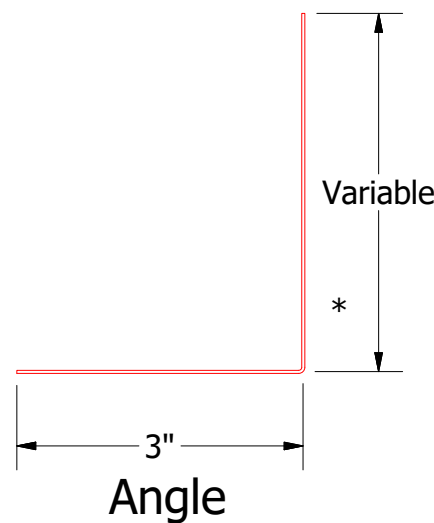
Alternate Subgirt Orientation (NTS)



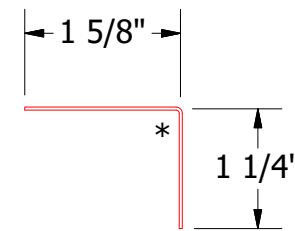
- Window
- Interior Finish
- Backer Rod and Sealant
- Angle Trim with Return
- Metal Wall Stud
- Angle
- Membrane Strip over Angle Trim with Return
- Water and Air Resistive Barrier
- Exterior Gypsum Board
- Vertical Subgirt
- Angle Trim
- Butyl Tape
- #14 x 7/8" Painted Hex Washer Head Fastener with Washer
- J Channel
- Water Resistant Insulation
- PenumWall Panel



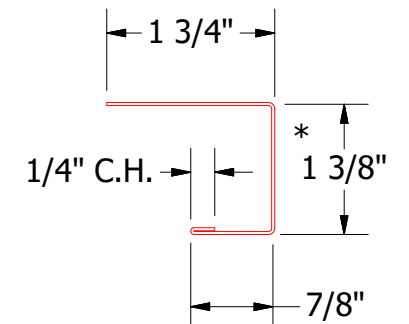
BPA683-Angle Trim with Return



Angle



BPA280-Angle Trim



BPA138-J Channel

Note: * denotes color side.

REV. NO.	DATE	DESCRIPTION OF REVISION	BY	APP
1	4/16/2021	Added color side note.	DMR	

		ATAS INTERNATIONAL, INC Allentown PA 610-395-8445 Mesa AZ 480-558-7210	
TITLE PenumWall Open Jamb Detail			
DWG. NO.	DR	DATE	
	DMR	4/20/2017	
MATERIAL	APP	DATE	
SH. SIZE	B	SCALE	X:X