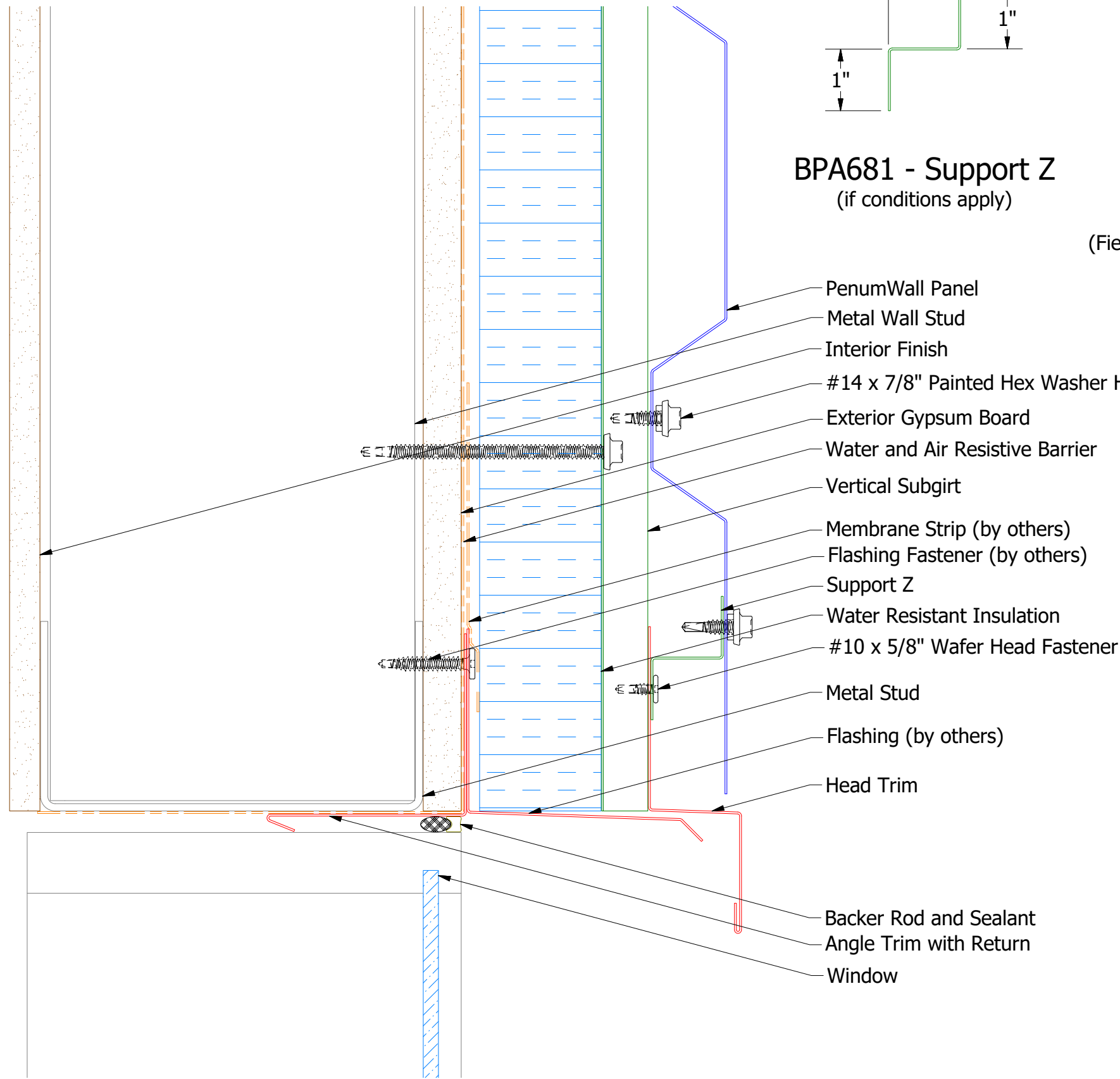
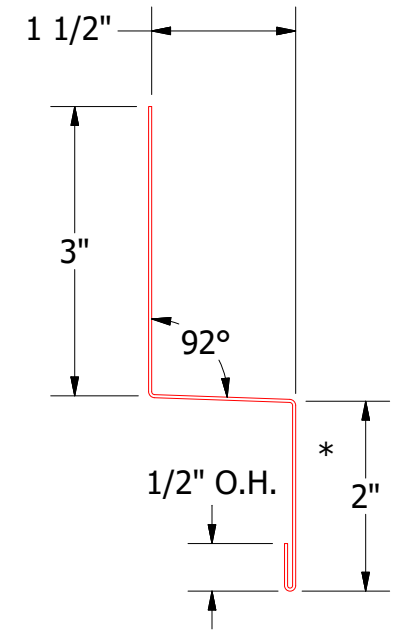
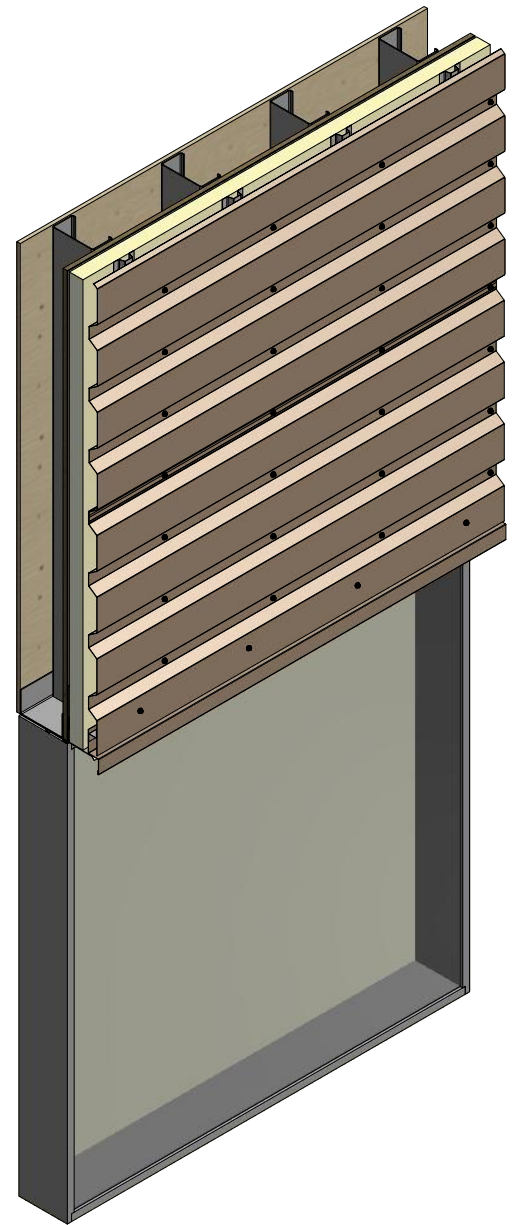
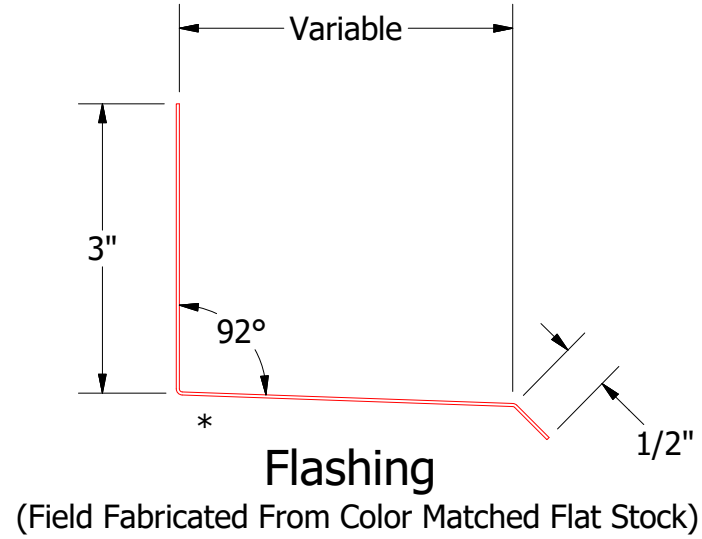
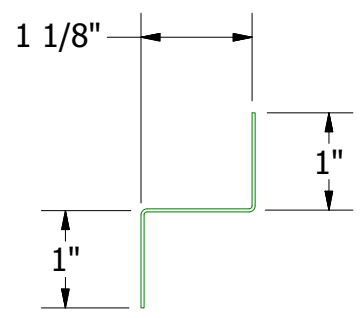


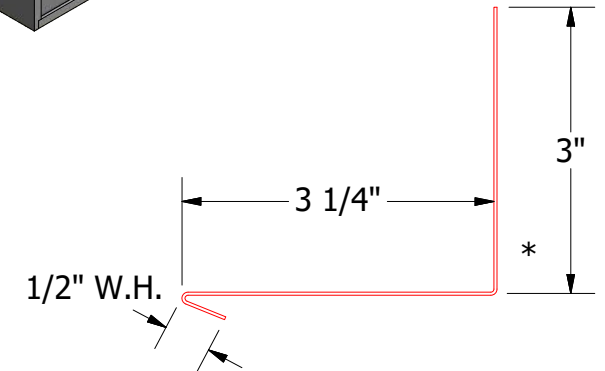
Horizontal Panel



BPA681 - Support Z
(if conditions apply)



BPA550-Head Trim



BPA683-Angle Trim with Fastener

Note: * denotes color side.

ATAS ATAS INTERNATIONAL, INC
 Allentown PA
 610-395-8445
 Mesa AZ
 480-558-7210

TITLE				PenumWall Open Head Detail			
DWG. NO.		DR		DATE		4/20/2017	
1		DMR		APP		DATE	
REV. NO.		DATE		DESCRIPTION OF REVISION		BY APP	
1		4/16/2021		Added Support Z Trim and color side note.		DMR	
SH. SIZE		B		SCALE		X:X	