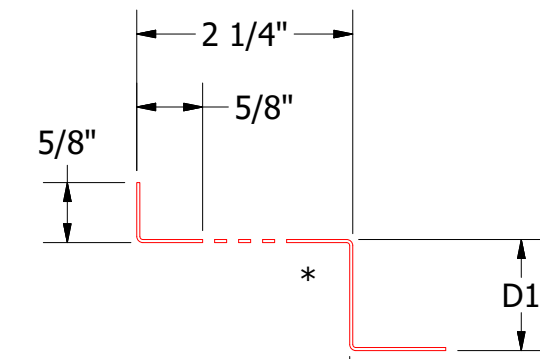
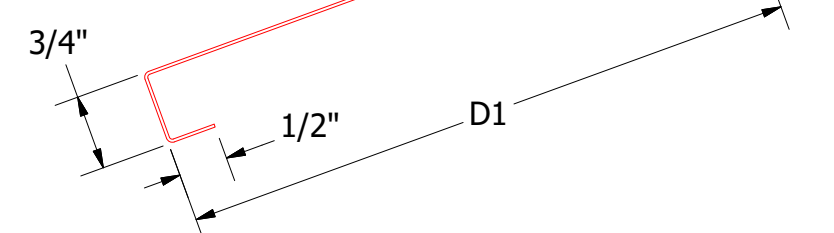


PCA980-Counterflashing



- Vented Z Closure **PCA911** - 1" Seam and 1" Batten D1=1 1/8"
- PCA913** - 2" Batten D1=2 1/8"

PCA510-Vented Headwall Trim



ATAS ATAS INTERNATIONAL, INC
 Allentown PA
 610-395-8445
 Mesa AZ
 480-558-7210

TITLE				PC Vented Headwall Detail			
2	6/5/2019	Updated Clip Information	AJZ	KRK	DWG. NO.	DR	DATE
1	7/2/18	Updated Substrate and Titles	MBP			APP	DATE
REV. NO.	DATE	DESCRIPTION OF REVISION	BY	APP	MATERIAL	SH. SIZE	SCALE
						B	X:X

Note: * denotes color side.
Note: Neoprene Closures are not required if Factory Pre Notched Vented Z Closures are utilized.