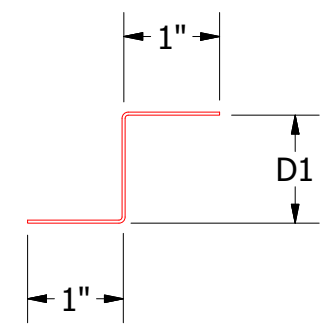
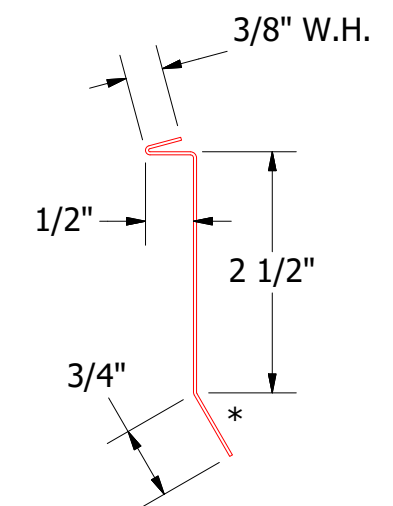


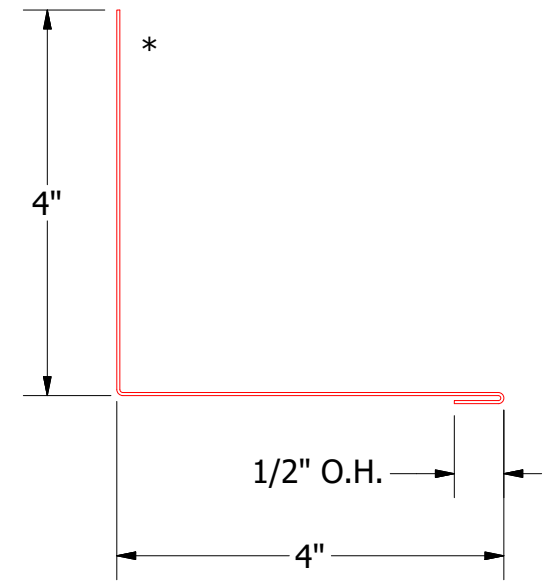
**Butyl Tape Detail**



**Z Closure**  
**PCA910** - 1" Seam and 1" Batten  
 D1=1 1/8"  
**PCA912** - 2" Batten  
 D1=2 1/8"



**PCA980-Counterflashing**



**PCA410-Sidewall Trim**

**ATAS** ATAS INTERNATIONAL, INC  
 Allentown PA  
 610-395-8445  
 Mesa AZ  
 480-558-7210

TITLE		PC Starting Sidewall Detail	
DWG. NO.	DR	KRK	DATE
	APP		9/17/2014
MATERIAL	SH. SIZE	B	SCALE
			X:X

REV. NO.	DATE	DESCRIPTION OF REVISION	BY	APP
1	6/5/2019	Updated Clip Information	AJZ	KRK

Note: \* denotes color side.