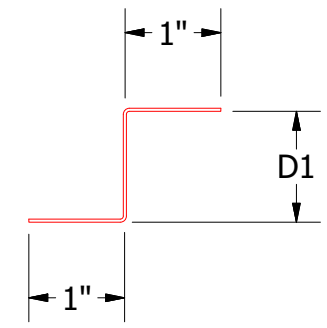
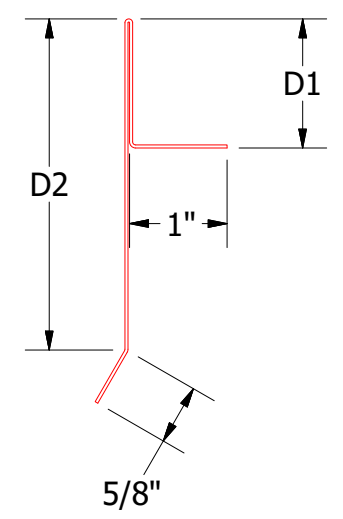


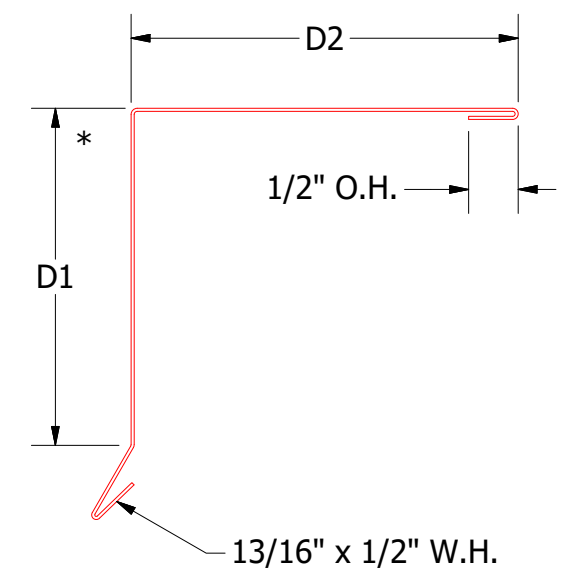
Butyl Tape Detail



Z Closure
PCA910 - 1" Seam and 1" Batten
 D1=1 1/8"
PCA912 - 2" Batten
 D1=2 1/8"



Gable Starter Cleat
PCA211 - 1" Seam and 1" Batten
 D1=1 5/16" / D2=3 7/16"
PCA214 - 2" Batten
 D1=2 5/16" / D2=4 7/16"



Gable Trim Cap
PCA210 - 1" Seam and 1" Batten
 D1=3 1/2" / D2=4"
PCA212 - 2" Batten
 D1=4 1/2" / D2=5 1/2"

Note: * denotes color side.

REV. NO.		DATE	DESCRIPTION OF REVISION	BY	APP	TITLE	
1	6/4/2019		Updated Clip Information	AJZ	KRK	PC Starting Gable Detail	
						DWG. NO.	DR
						APP	KRK
						DATE	9/17/2014
						MATERIAL	DATE
						SH. SIZE	B
						SCALE	X:X

ATAS ATAS INTERNATIONAL, INC
 Allentown PA
 610-395-8445
 Mesa AZ
 480-558-7210