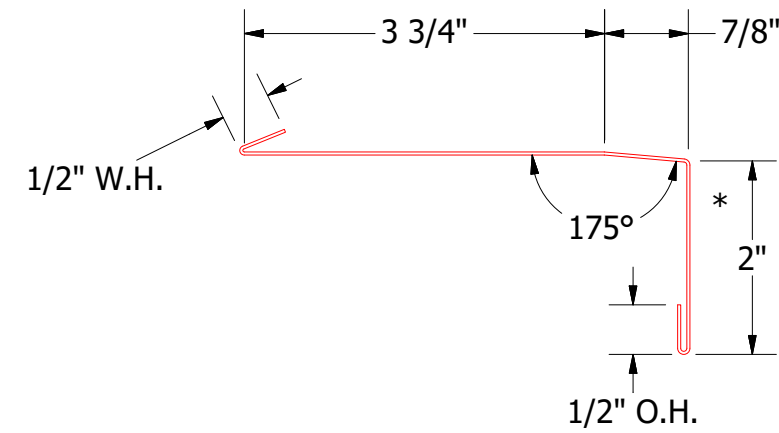
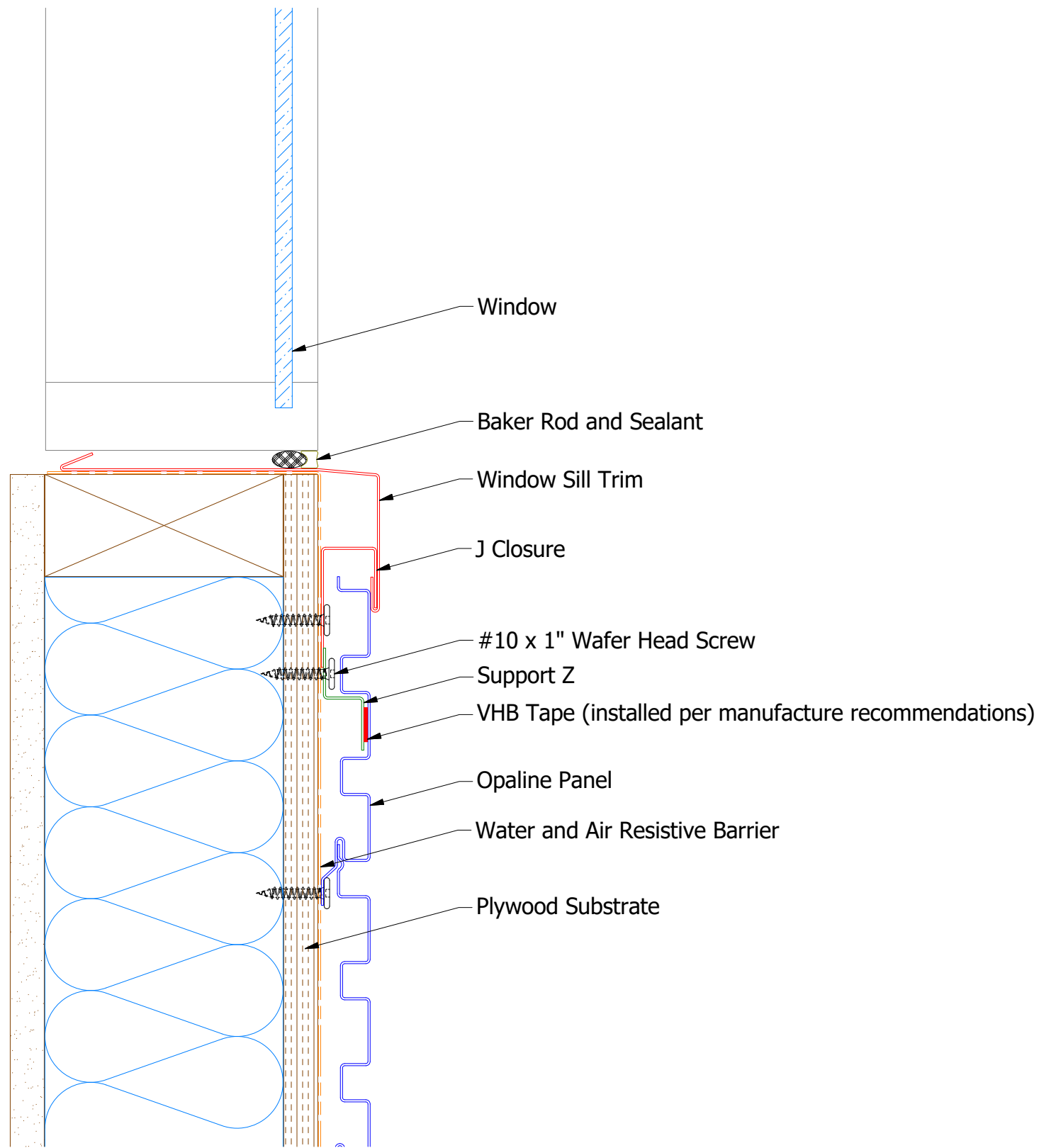
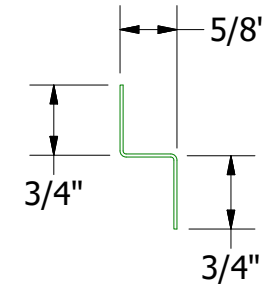


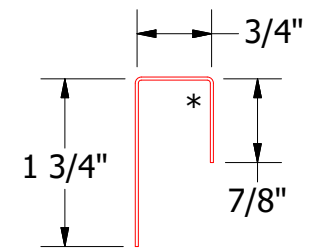
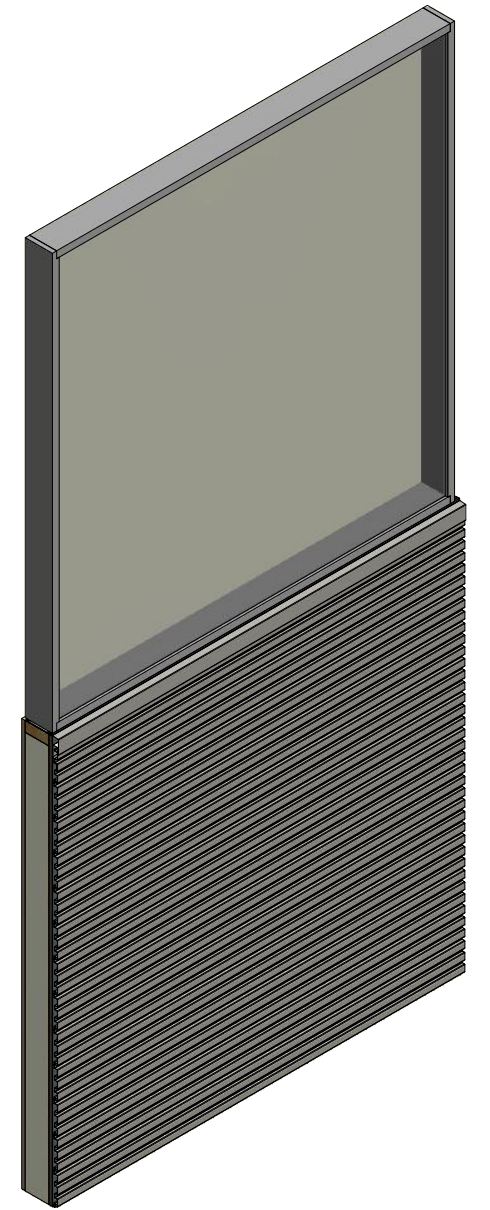
Horizontal Panel



OPA670 - Window Sill Trim




OPA681 - Support Z



OPA270 - J Closure

Note: * denotes color side.
 Note: stainless steel pop rivets maybe needed along with VHB tape for longer panels.

				 ATAS INTERNATIONAL, INC Allentown PA 610-395-8445 Mesa AZ 480-558-7210		
				TITLE Opaline Window Sill Detail		
DWG. NO.		DR		DATE		
		MBP		7/7/2016		
REV. NO.		APP		DATE		
01		DAS		7/28/16		
DATE		SH. SIZE		SCALE		
		B		X:X		
DESCRIPTION OF REVISION		BY		APP		
8/31/2021		KRK				
Changed Pop Rivets to VHB Tape						