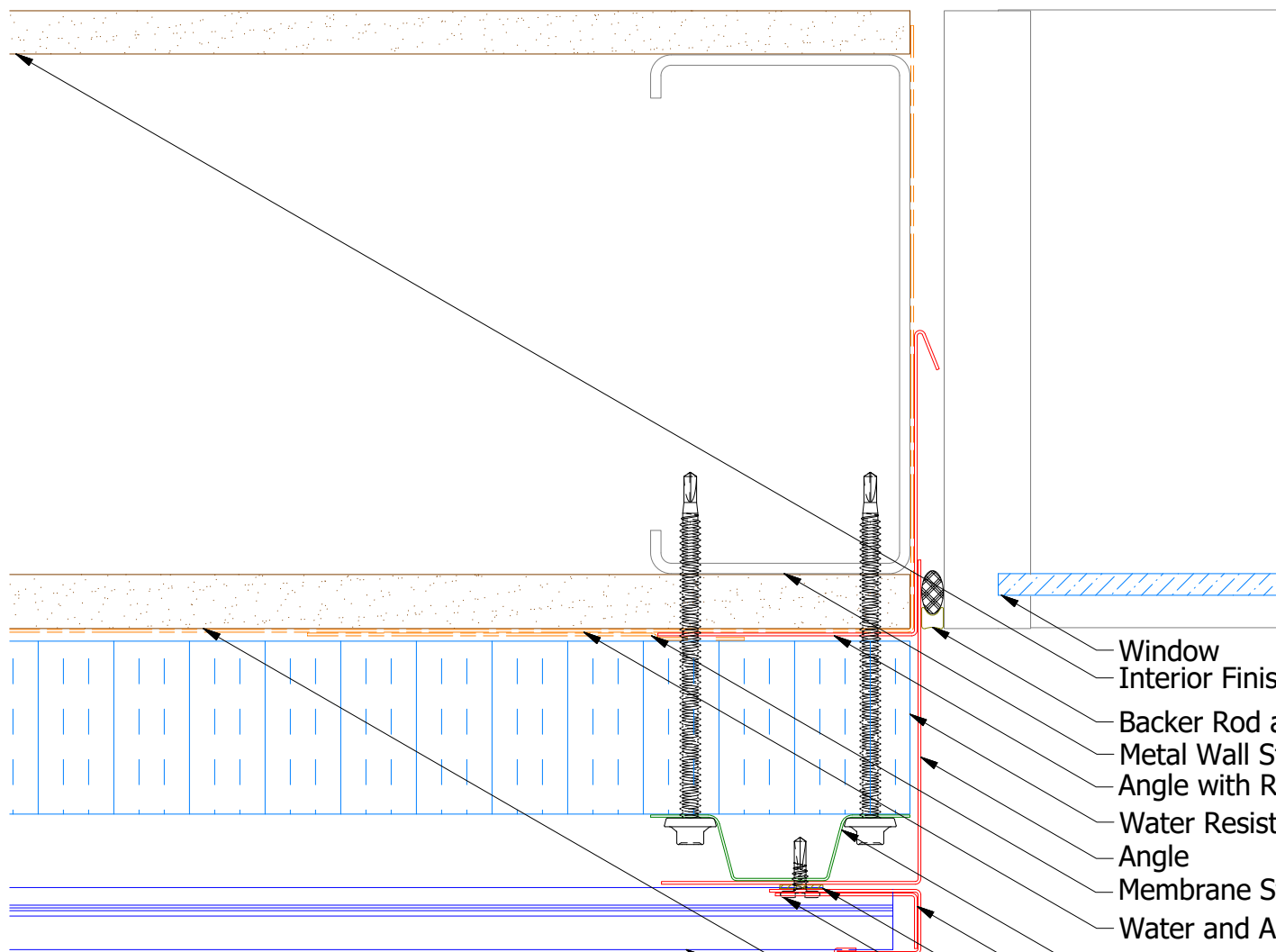
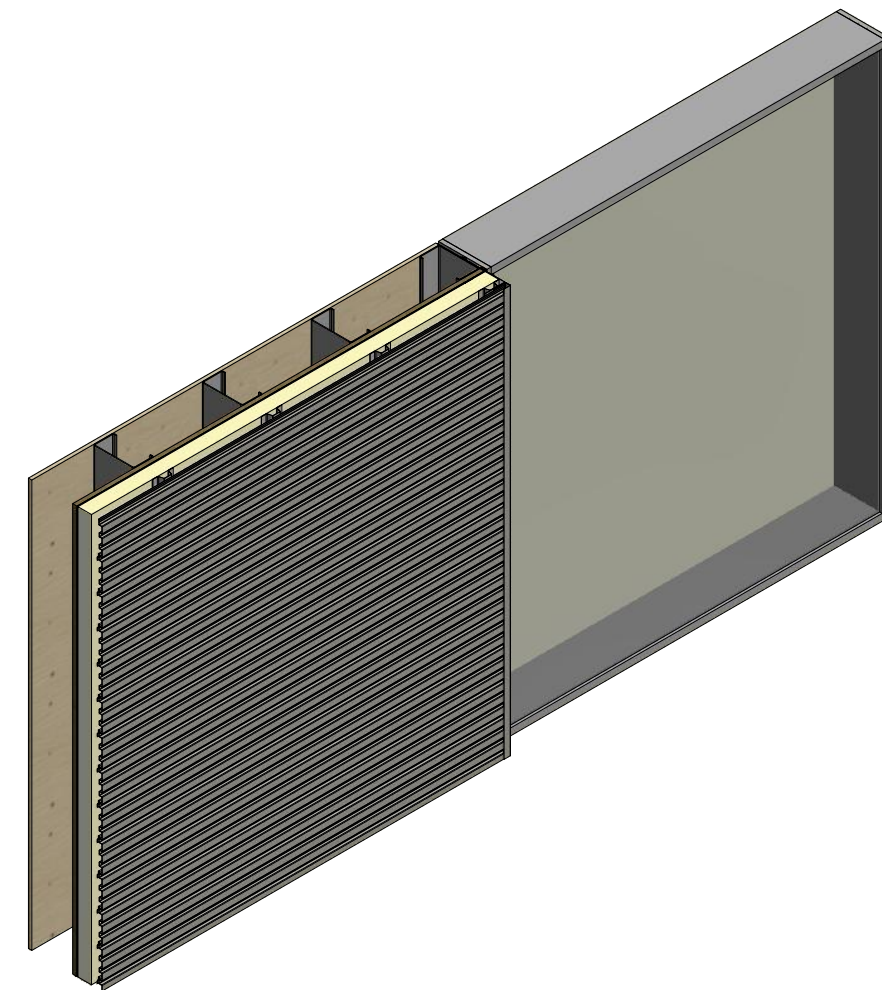
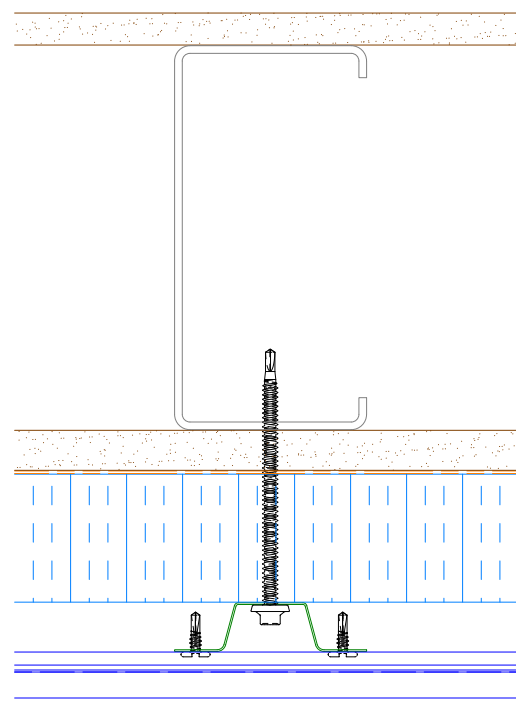


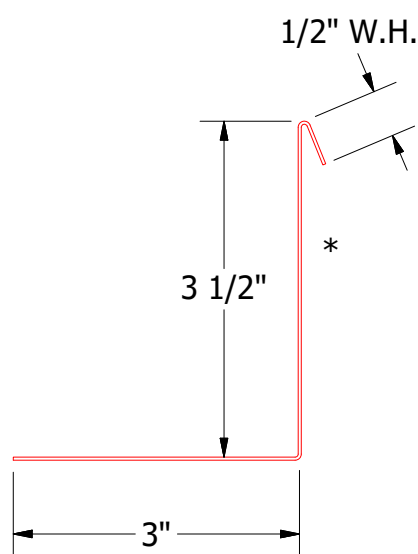
# Horizontal Panel



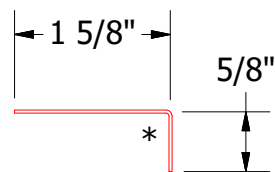
## Alternate Subgirt Orientation (NTS)



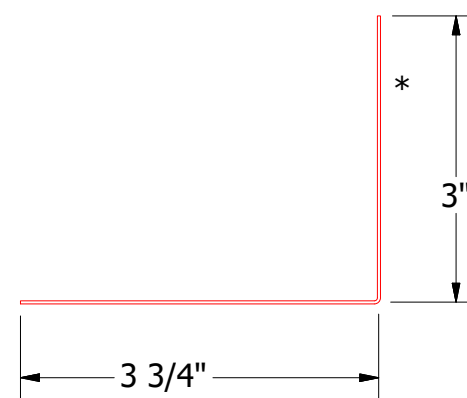
- Window
- Interior Finish
- Backer Rod and Sealant
- Metal Wall Stud
- Angle with Return
- Water Resistant Insulation
- Angle
- Membrane Strip over Angle with Return
- Water and Air Resistive Barrier
- Vertical Subgirt
- Angle Trim
- Butyl Tape
- #10 x 5/8" Wafer Head Fastener
- J Channel
- Exterior Gypsum Board
- Opaline Panel



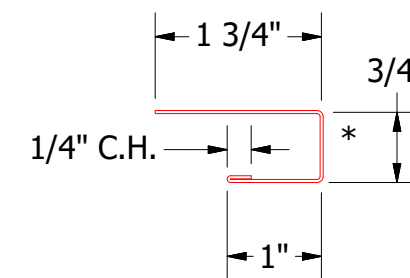
BGA683-Angle with Return



BGA680-Angle Trim



Angle



BGA034-J Channel

REV. NO.	DATE	DESCRIPTION OF REVISION	BY	APP

TITLE Opaline Panel Open Jamb Detail		
DWG. NO.	DR	DATE
	DMR	10/10/2016
MATERIAL	APP	DATE
SH. SIZE	B	SCALE
		X:X

**ATAS INTERNATIONAL, INC**  
 Allentown PA  
 610-395-8445  
 Mesa AZ  
 480-558-7210