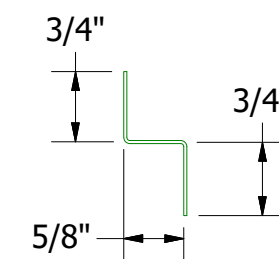
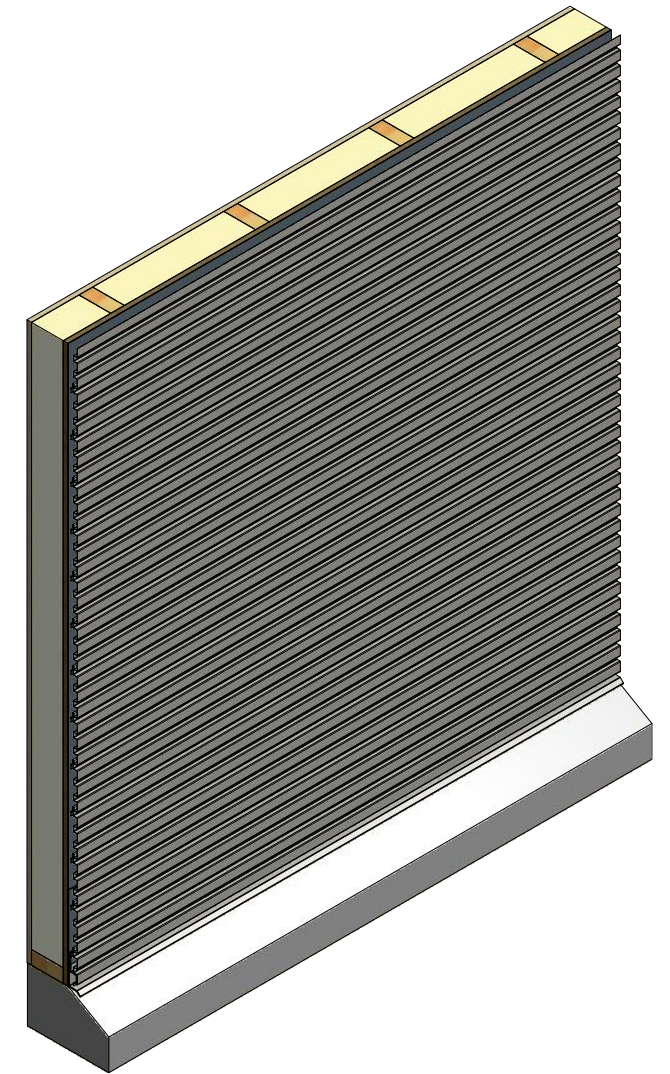
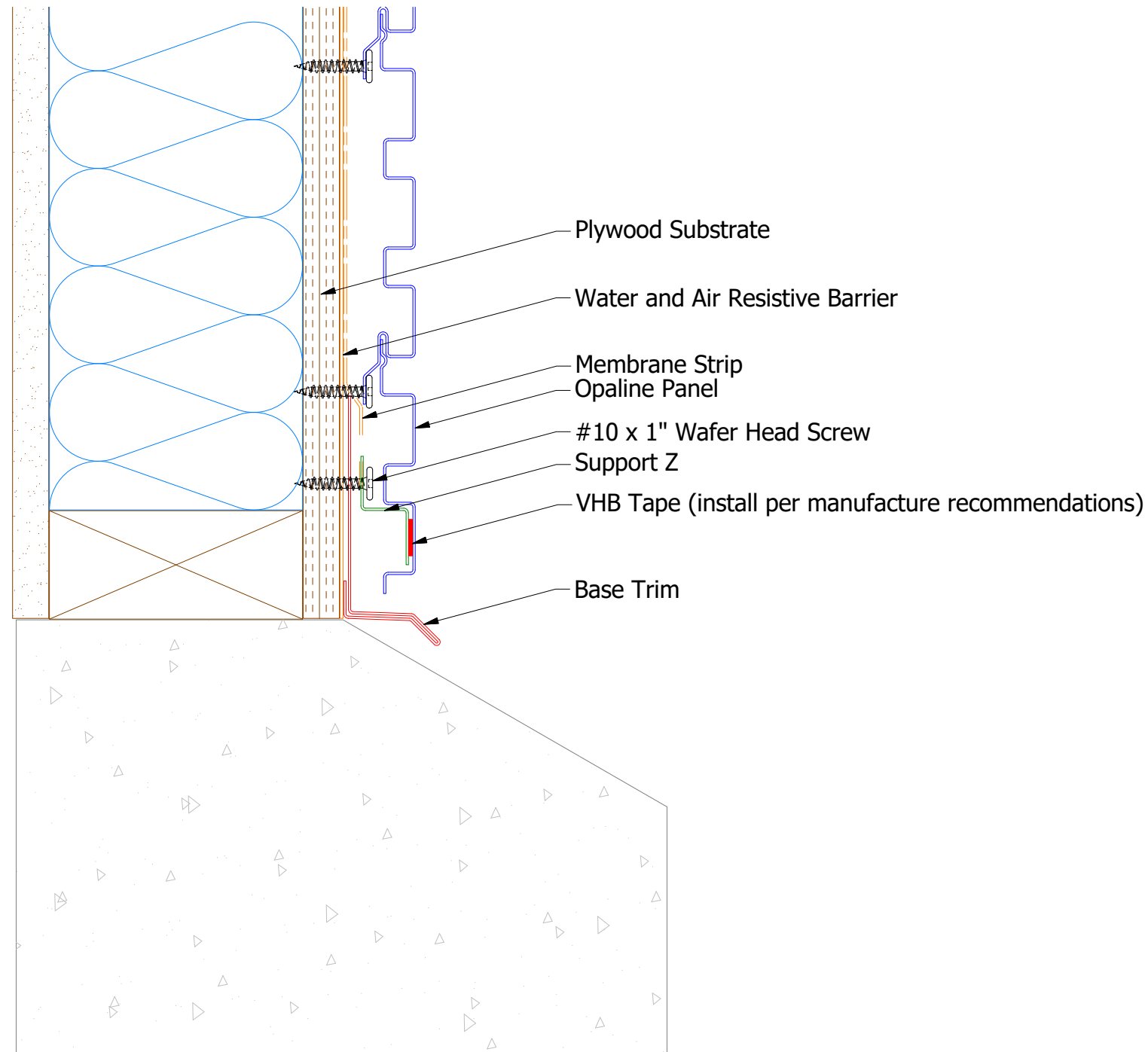
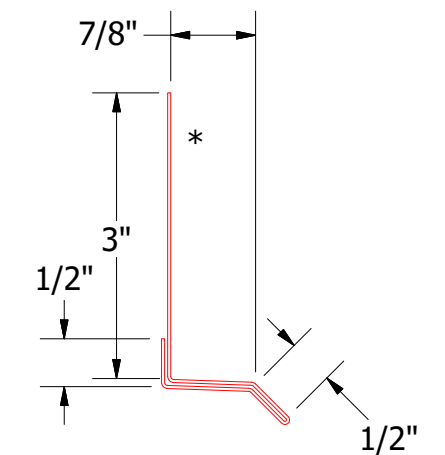


Horizontal Panel

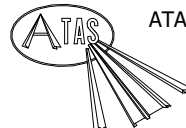


OPA681 - Support Z



OPA661 - Base Trim

Note: * denotes color side.
 Note: Stainless Steel Pop Rivets maybe needed along with VHB Tape for longer Panels.

 ATAS INTERNATIONAL, INC Allentown PA 610-395-8445 Mesa AZ 480-558-7210			
TITLE		Opaline Base Detail	
DWG. NO.	DR	MBP	DATE 7/5/2016
01	APP	DAS	DATE 7/28/16
REV. NO.	DATE	DESCRIPTION OF REVISION	BY APP
			SH. SIZE B SCALE X:X

01	8/27/2021	Changed Pop Rivets to VHB Tape	KRK
REV. NO.	DATE	DESCRIPTION OF REVISION	BY APP