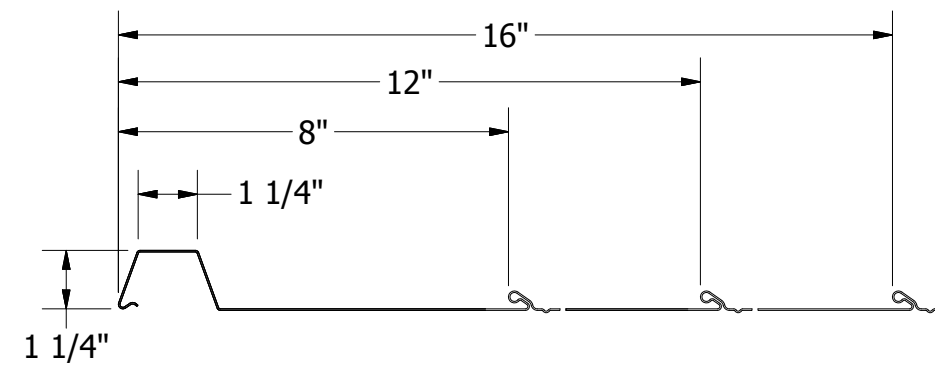
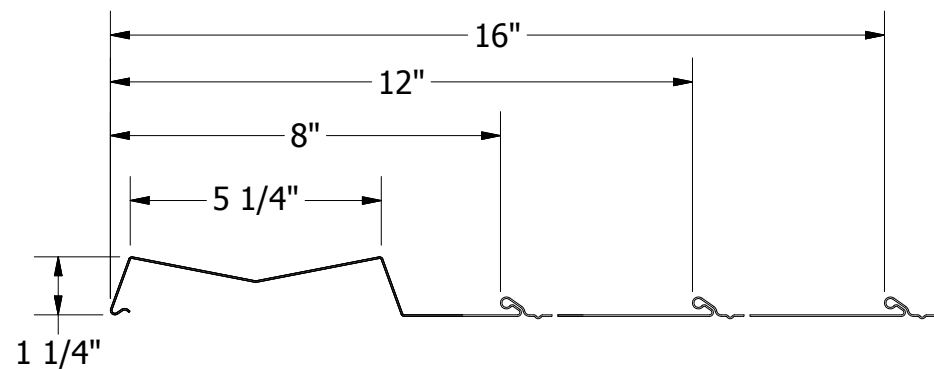


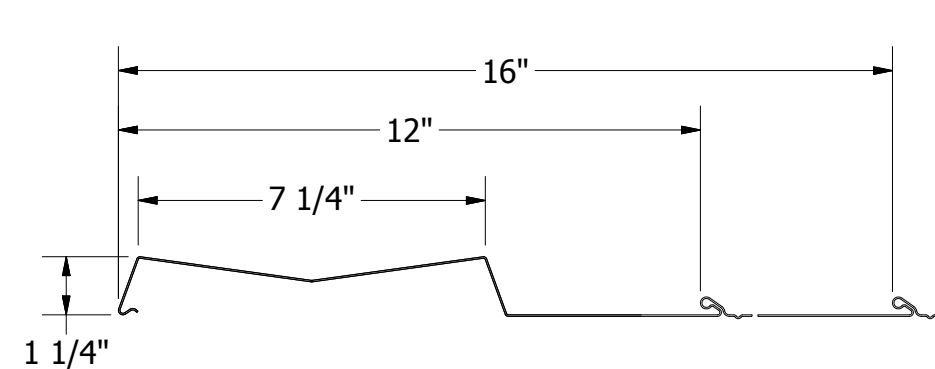
Multi-Purpose Panel (MPN)



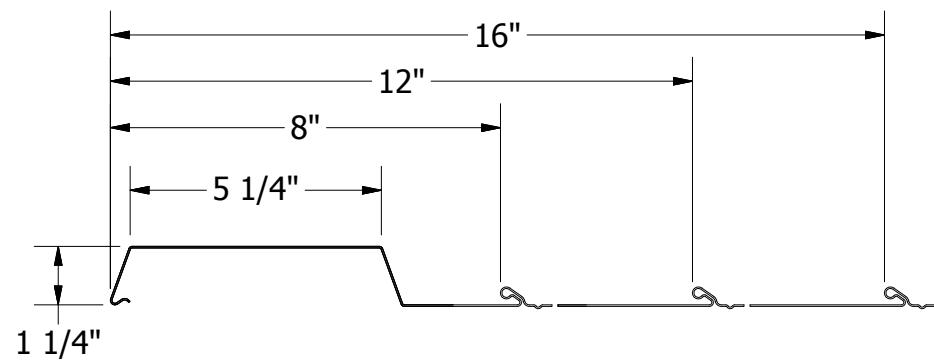
Multi-Purpose Panel (MPW)



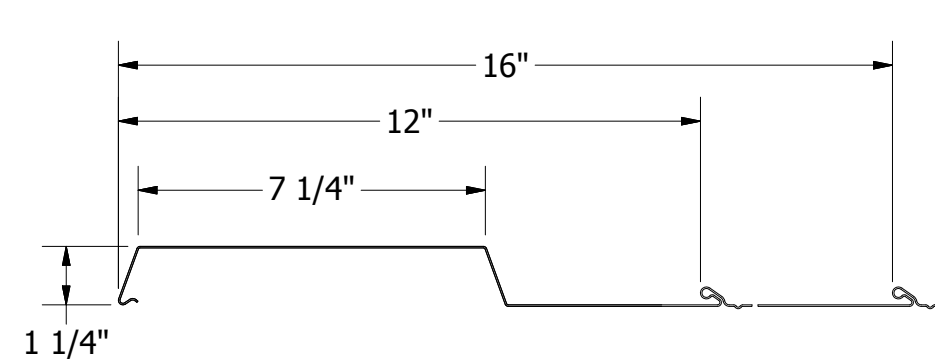
Multi-Purpose Panel (MPV)



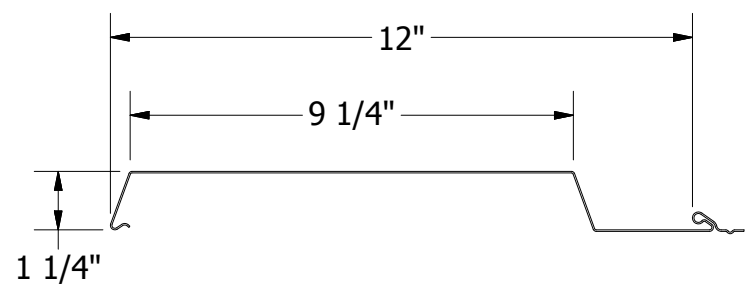
Multi-Purpose Panel (MPV)



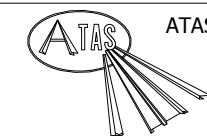
Multi-Purpose Panel (MPH)



Multi-Purpose Panel (MPH)



Multi-Purpose Panel (MPH)



ATAS INTERNATIONAL, INC  
 Allentown PA  
 610-395-8445  
 Mesa AZ  
 480-558-7210

TITLE			MultiPurposePanel Detail		
DWG. NO.		DR	KRK	DATE	7/29/2016
MATERIAL		APP		DATE	
REV. NO.	DATE	DESCRIPTION OF REVISION	BY	APP	SH. SIZE B SCALE X:X