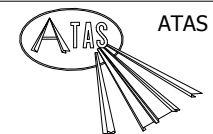
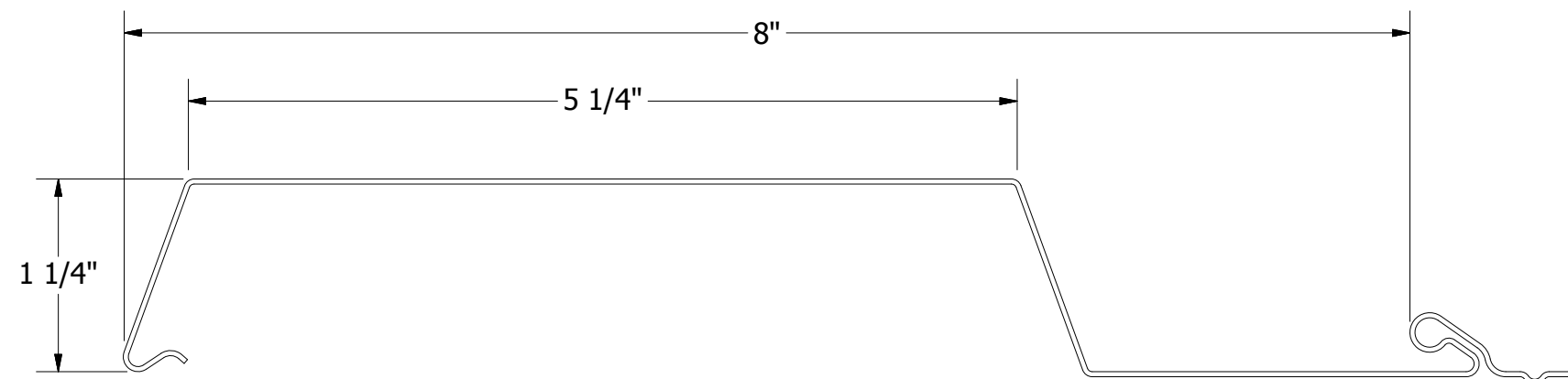
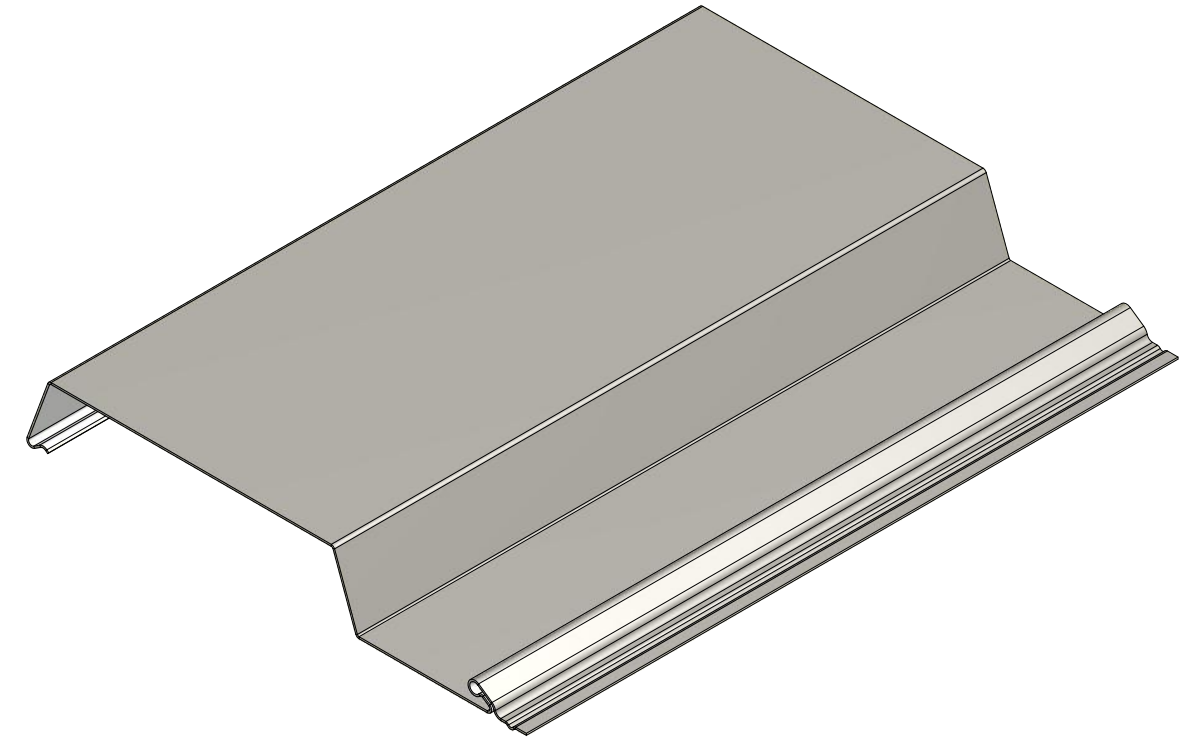


MPH080 Panel

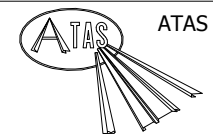
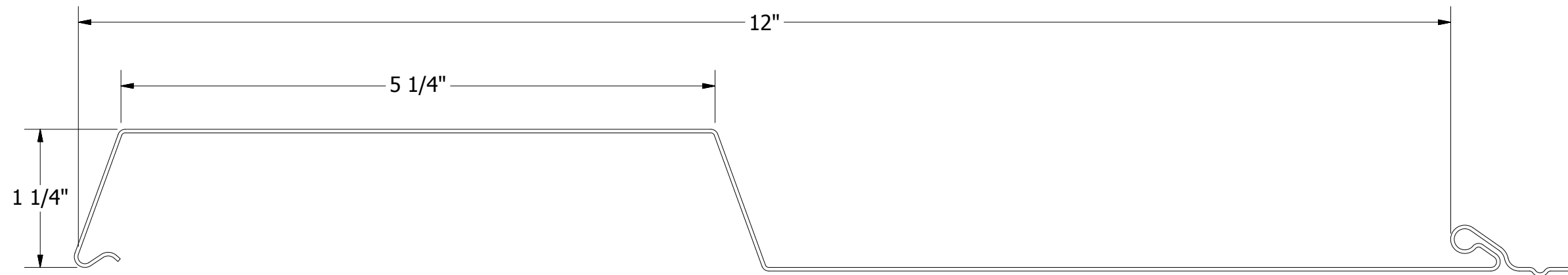
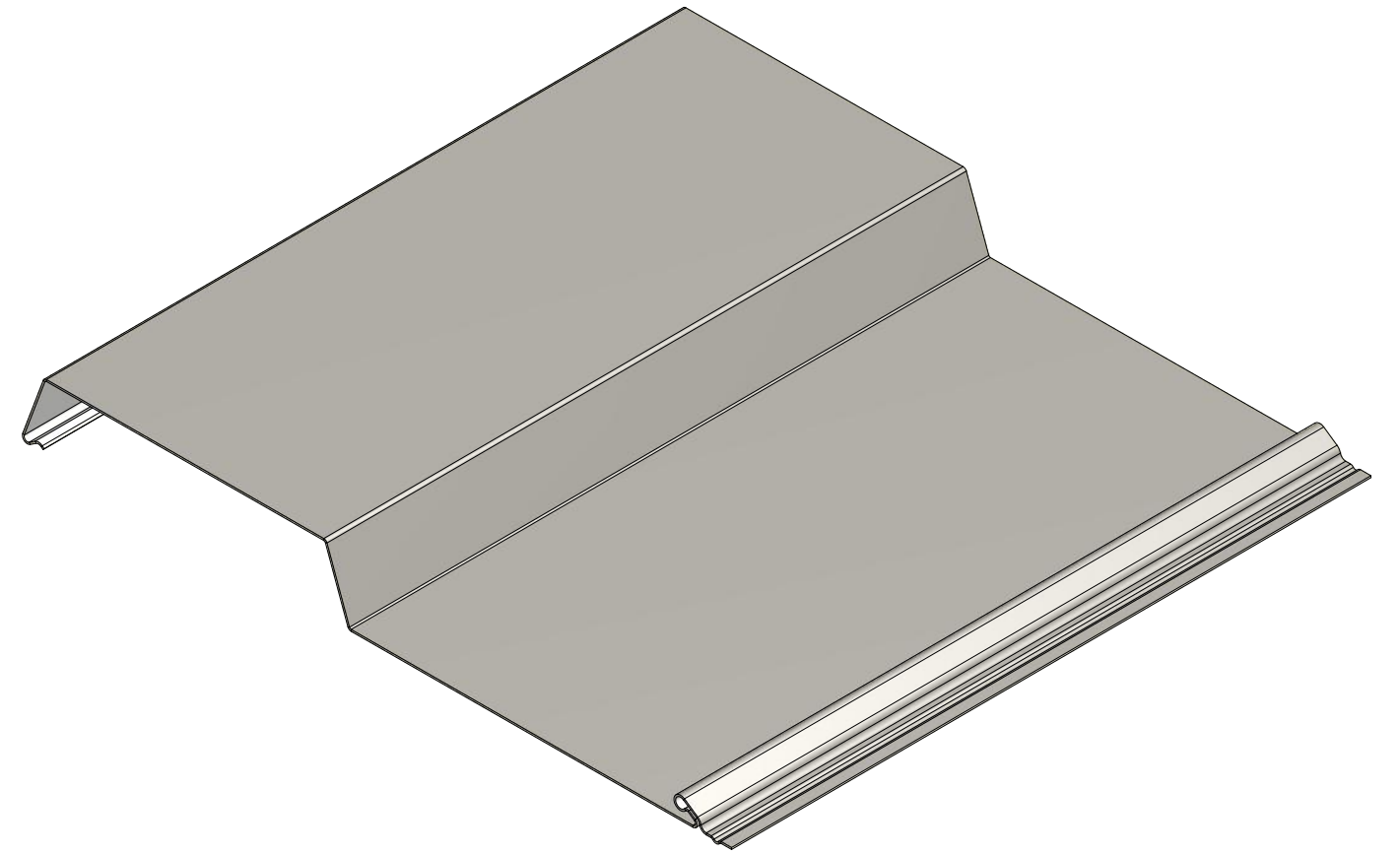


ATAS INTERNATIONAL, INC
 Allentown PA
 610-395-8445
 Mesa AZ
 480-558-7210

TITLE			MultiPurpose Panel Detail		
DWG. NO.		DR		DATE	
		DMR		11/1/2017	
MATERIAL		APP		DATE	
		SH. SIZE		SCALE	
		B		X:X	

REV. NO.	DATE	DESCRIPTION OF REVISION	BY	APP

MPH125 Panel

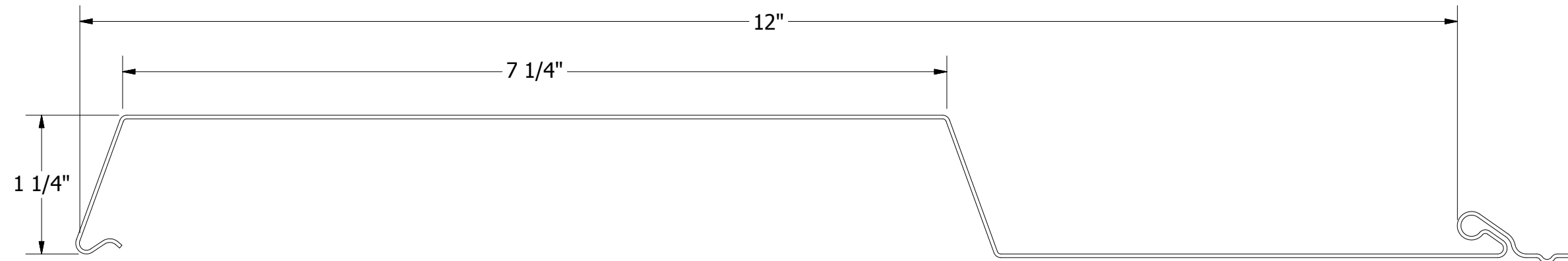
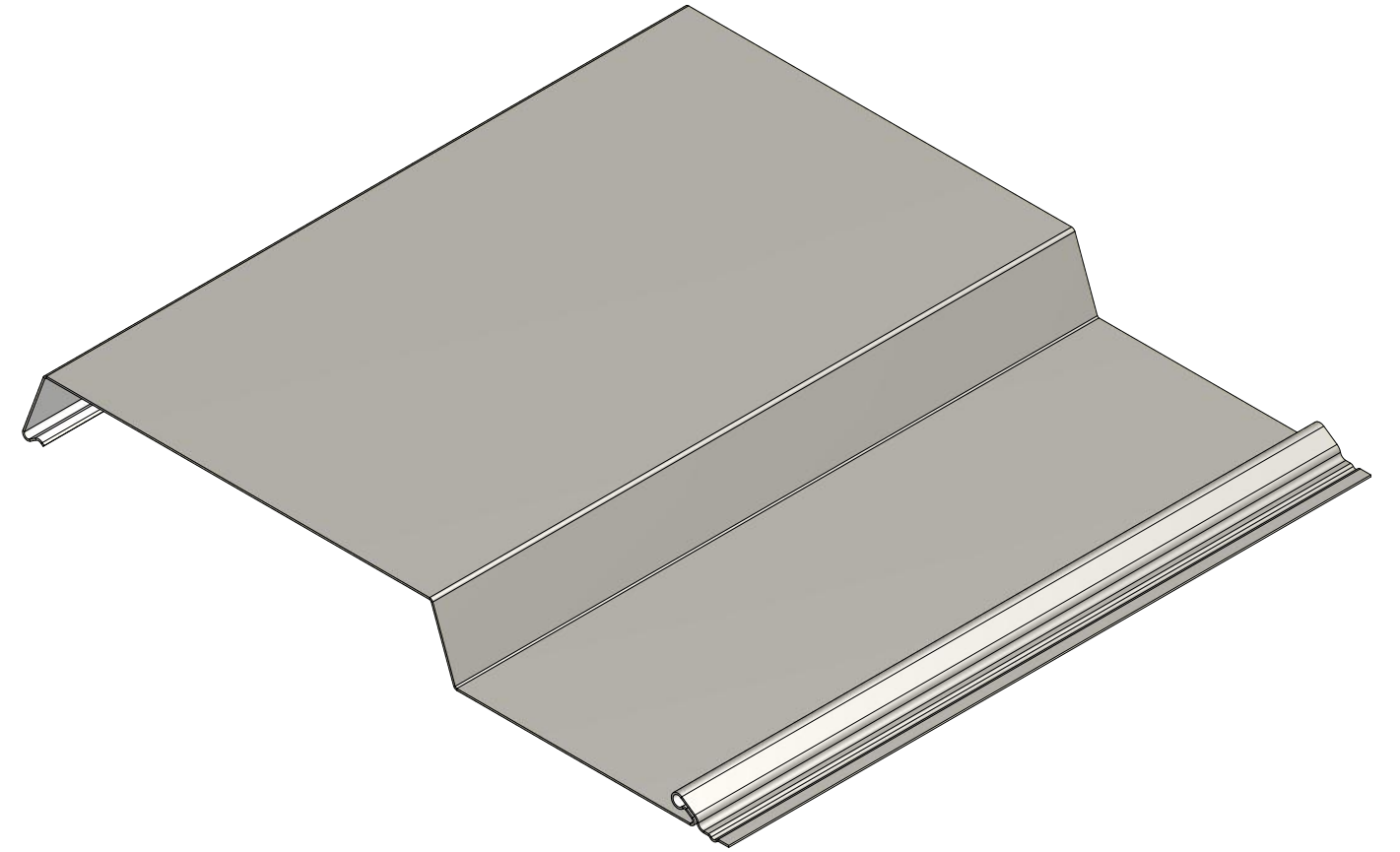


ATAS INTERNATIONAL, INC
 Allentown PA
 610-395-8445
 Mesa AZ
 480-558-7210

TITLE		MultiPurpose Panel Detail	
DWG. NO.	DR	DATE	11/1/2017
	DMR	DATE	
MATERIAL	APP	SH. SIZE	B
		SCALE	X:X

REV. NO.	DATE	DESCRIPTION OF REVISION	BY	APP

MPH127 Panel

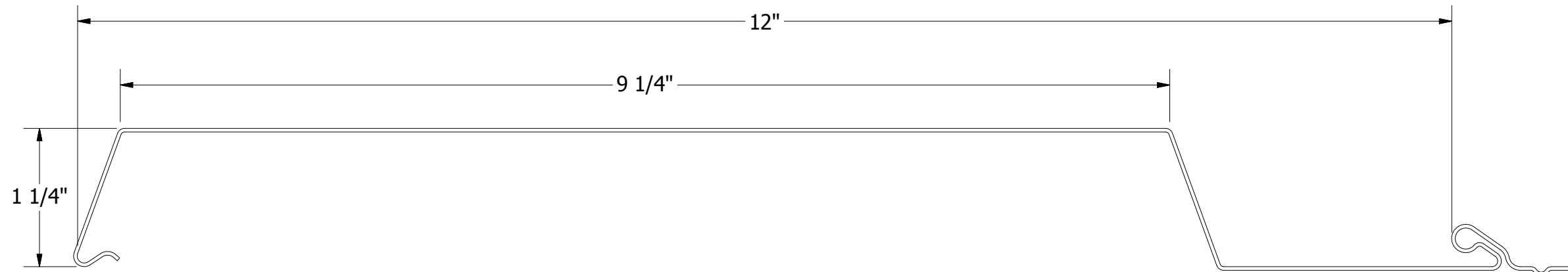
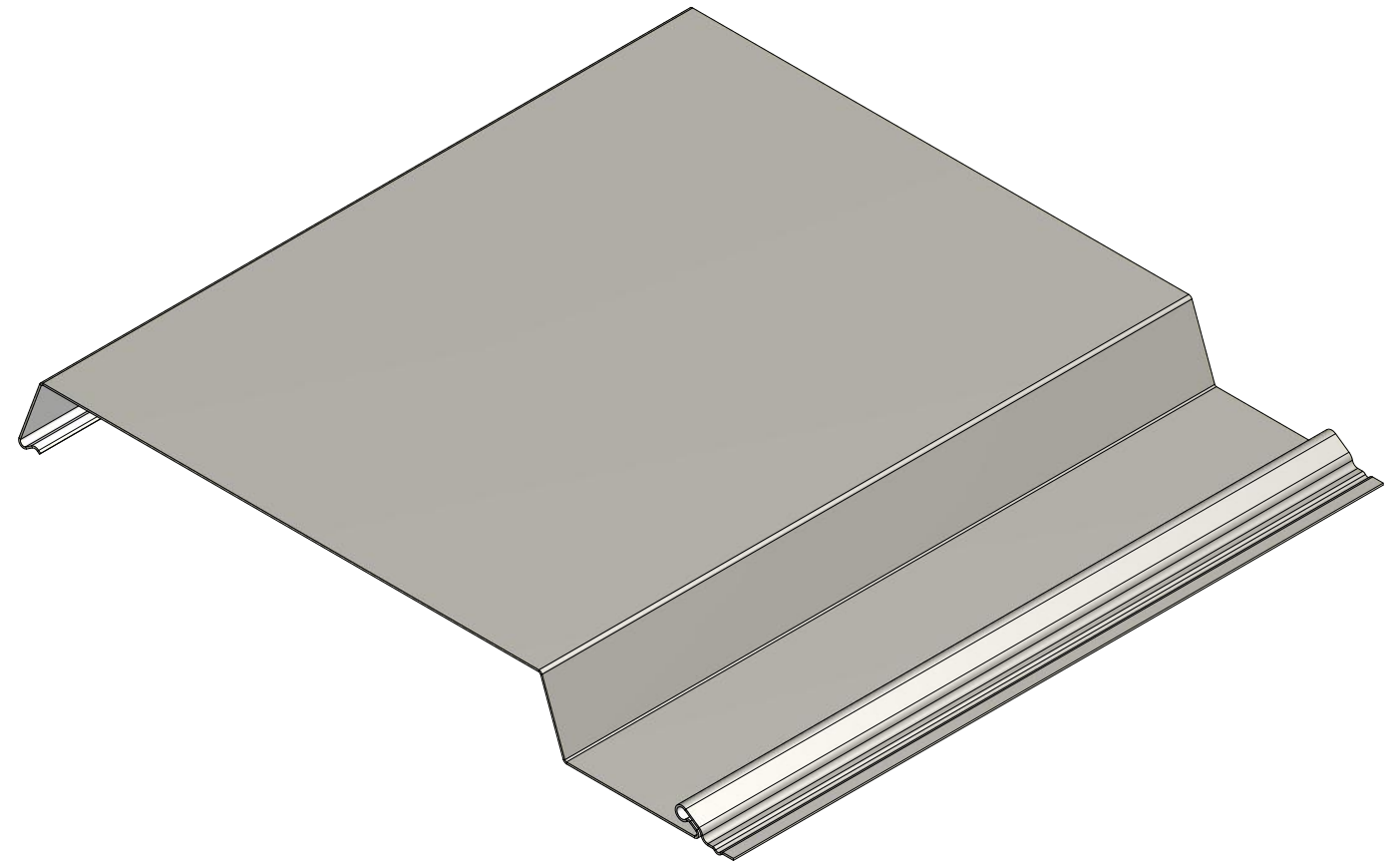


ATAS ATAS INTERNATIONAL, INC
 Allentown PA
 610-395-8445
 Mesa AZ
 480-558-7210

TITLE		MultiPurpose Panel Detail	
DWG. NO.	DR	DATE	11/1/2017
	DMR	DATE	
MATERIAL	APP	SH. SIZE	B
		SCALE	X:X

REV. NO.	DATE	DESCRIPTION OF REVISION	BY	APP

MPH129 Panel

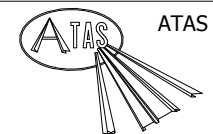
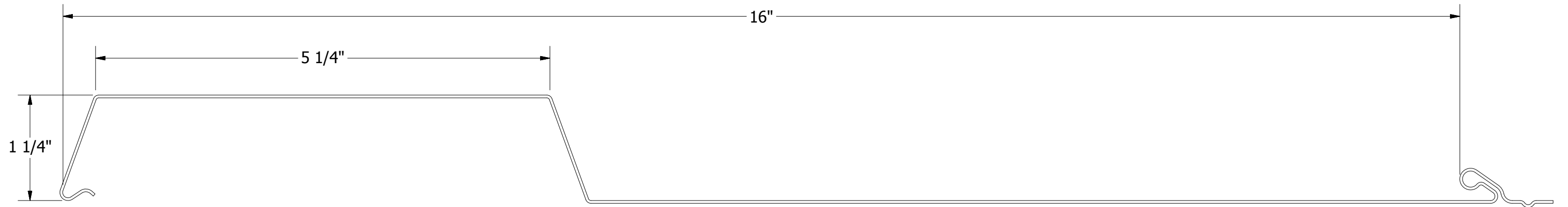
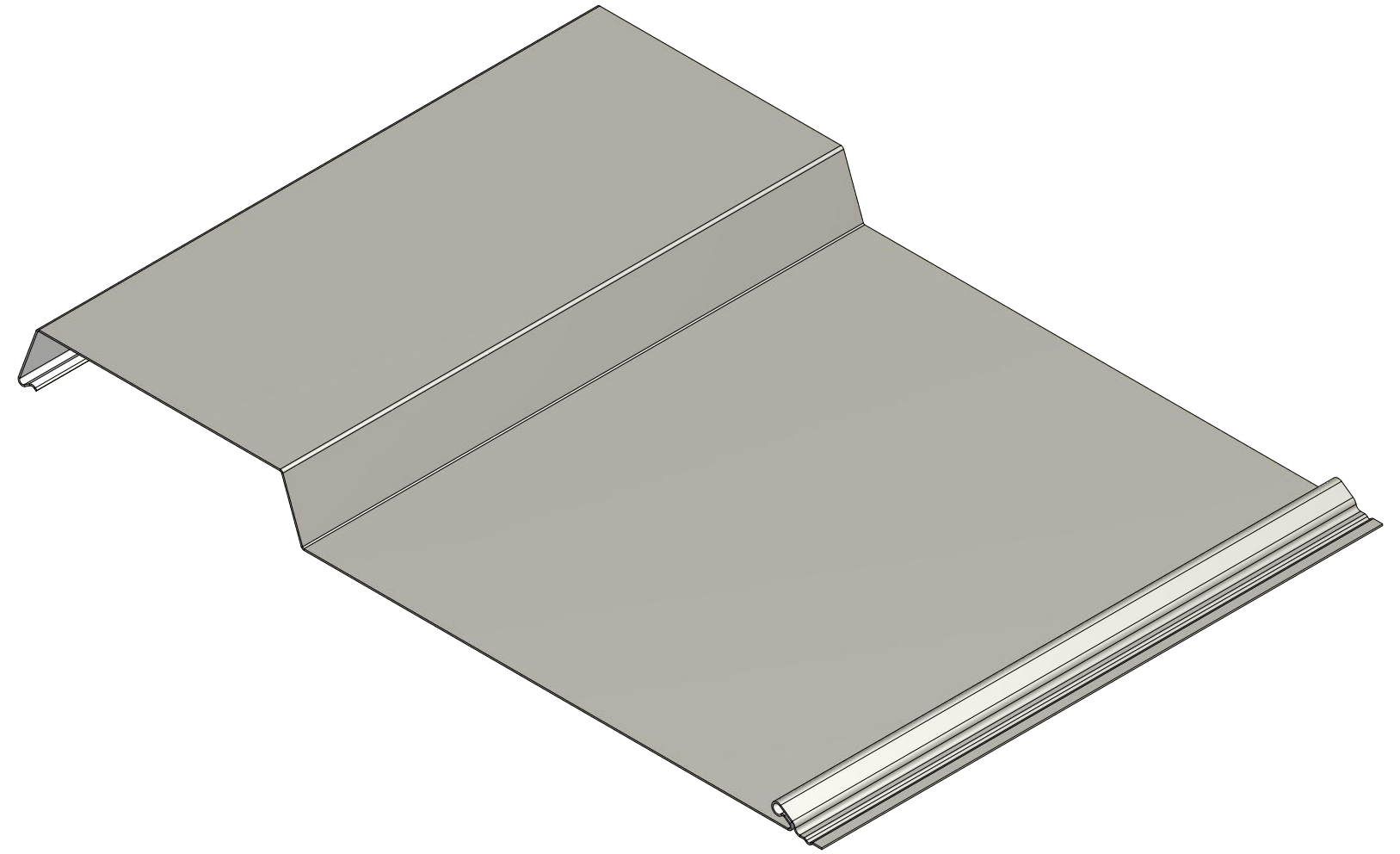


ATAS ATAS INTERNATIONAL, INC
 Allentown PA
 610-395-8445
 Mesa AZ
 480-558-7210

TITLE		MultiPurpose Panel Detail	
DWG. NO.	DR	DATE	11/1/2017
	DMR	DATE	
MATERIAL	APP	SH. SIZE	B
		SCALE	X:X

REV. NO.	DATE	DESCRIPTION OF REVISION	BY	APP

MPH165 Panel

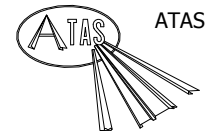
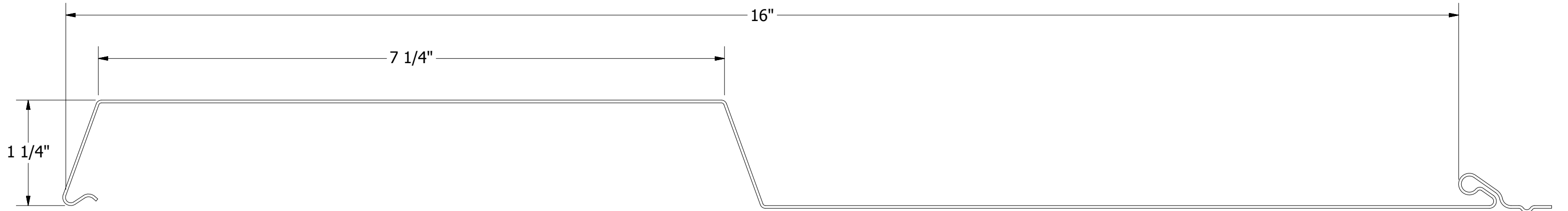
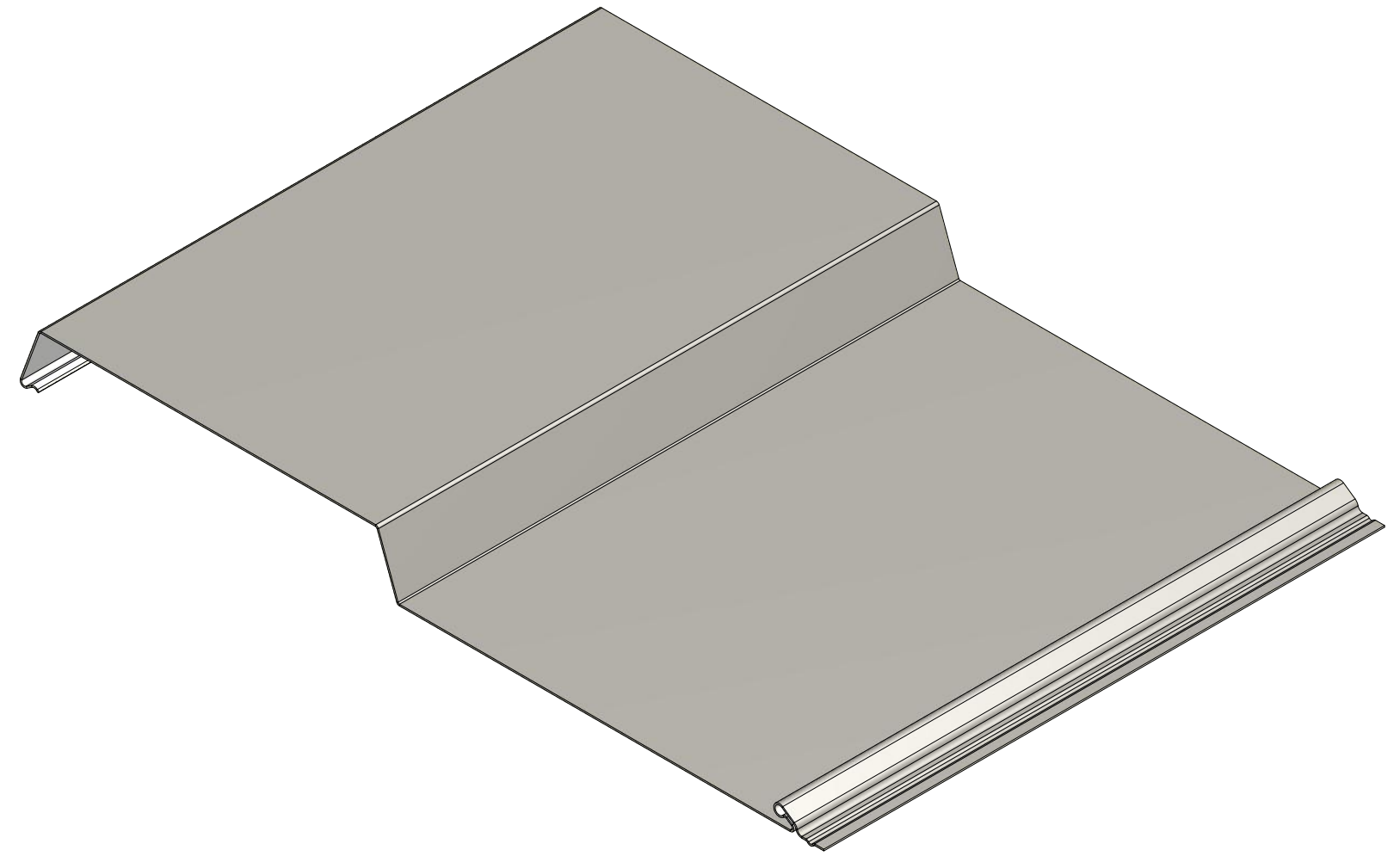


ATAS INTERNATIONAL, INC
 Allentown PA
 610-395-8445
 Mesa AZ
 480-558-7210

TITLE		MultiPurpose Panel Detail	
DWG. NO.	DR	DATE	
	DMR	11/1/2017	
MATERIAL	APP	DATE	
	SH. SIZE	B	SCALE X:X

REV. NO.	DATE	DESCRIPTION OF REVISION	BY	APP

MPH167 Panel

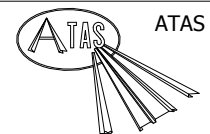
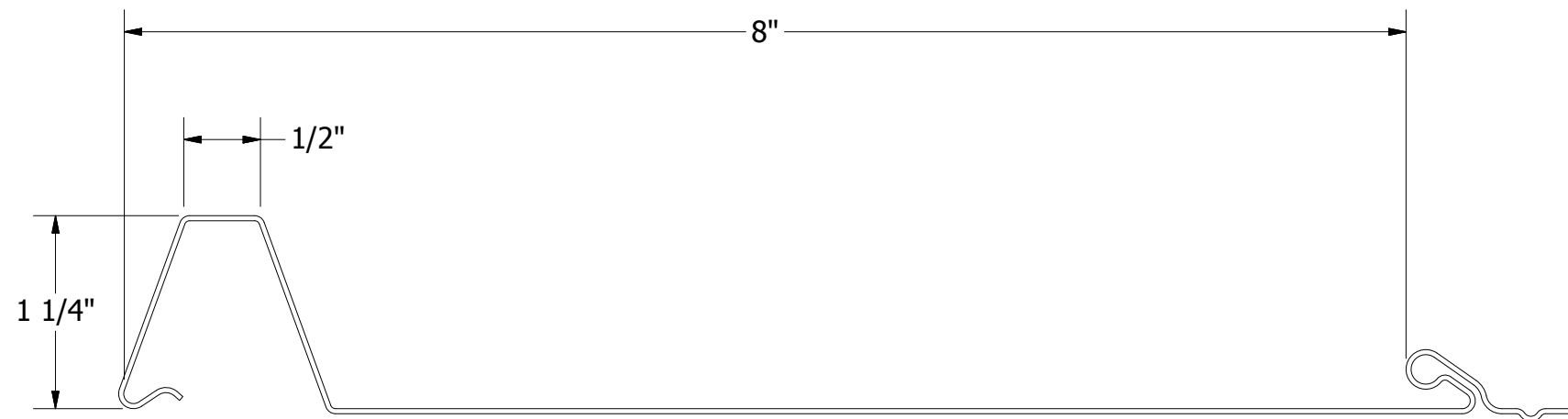
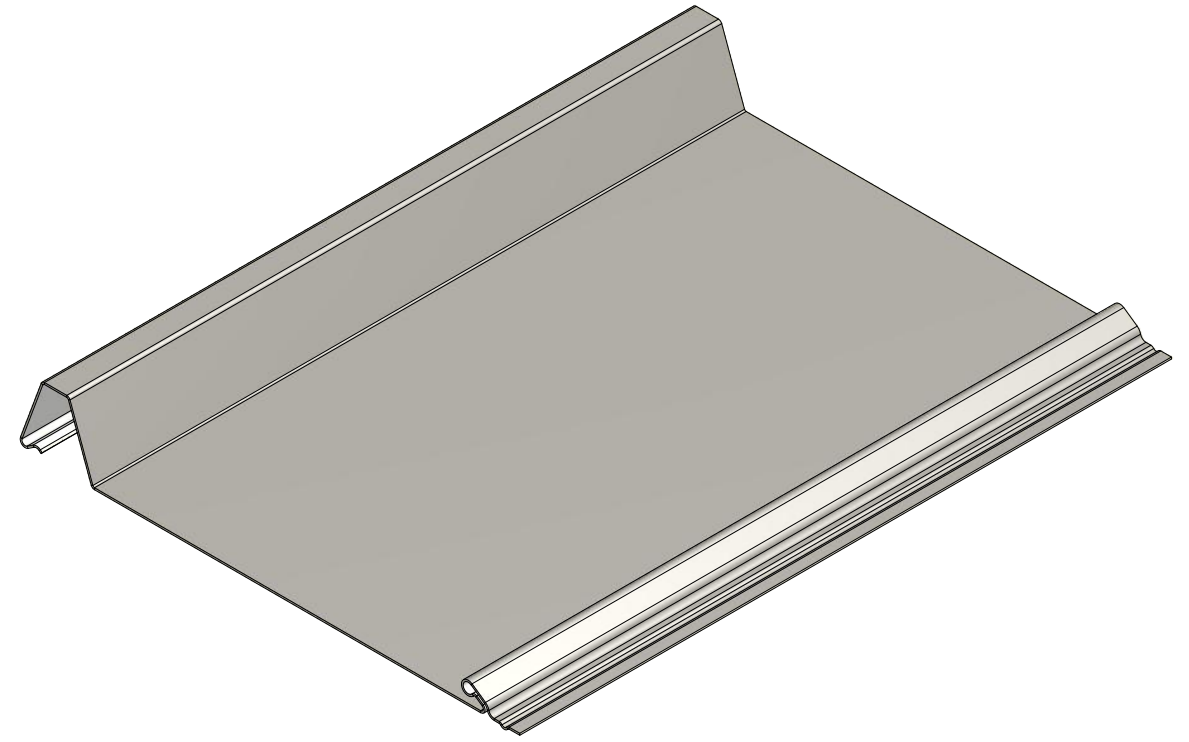


ATAS INTERNATIONAL, INC
 Allentown PA
 610-395-8445
 Mesa AZ
 480-558-7210

TITLE		MultiPurpose Panel Detail	
DWG. NO.	DR	DATE	11/1/2017
	DMR	DATE	
MATERIAL	APP	SH. SIZE	B
		SCALE	X:X

REV. NO.	DATE	DESCRIPTION OF REVISION	BY	APP

MPN080 Panel

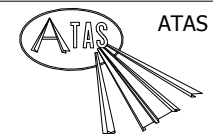
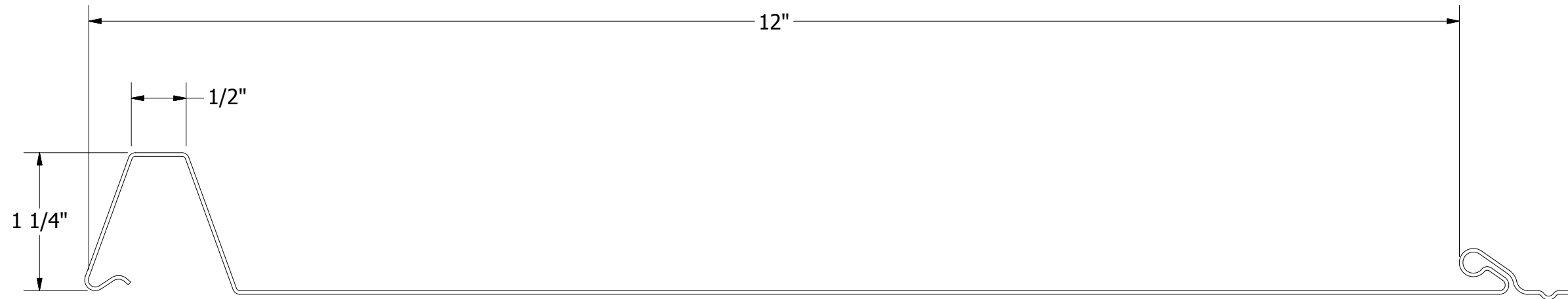
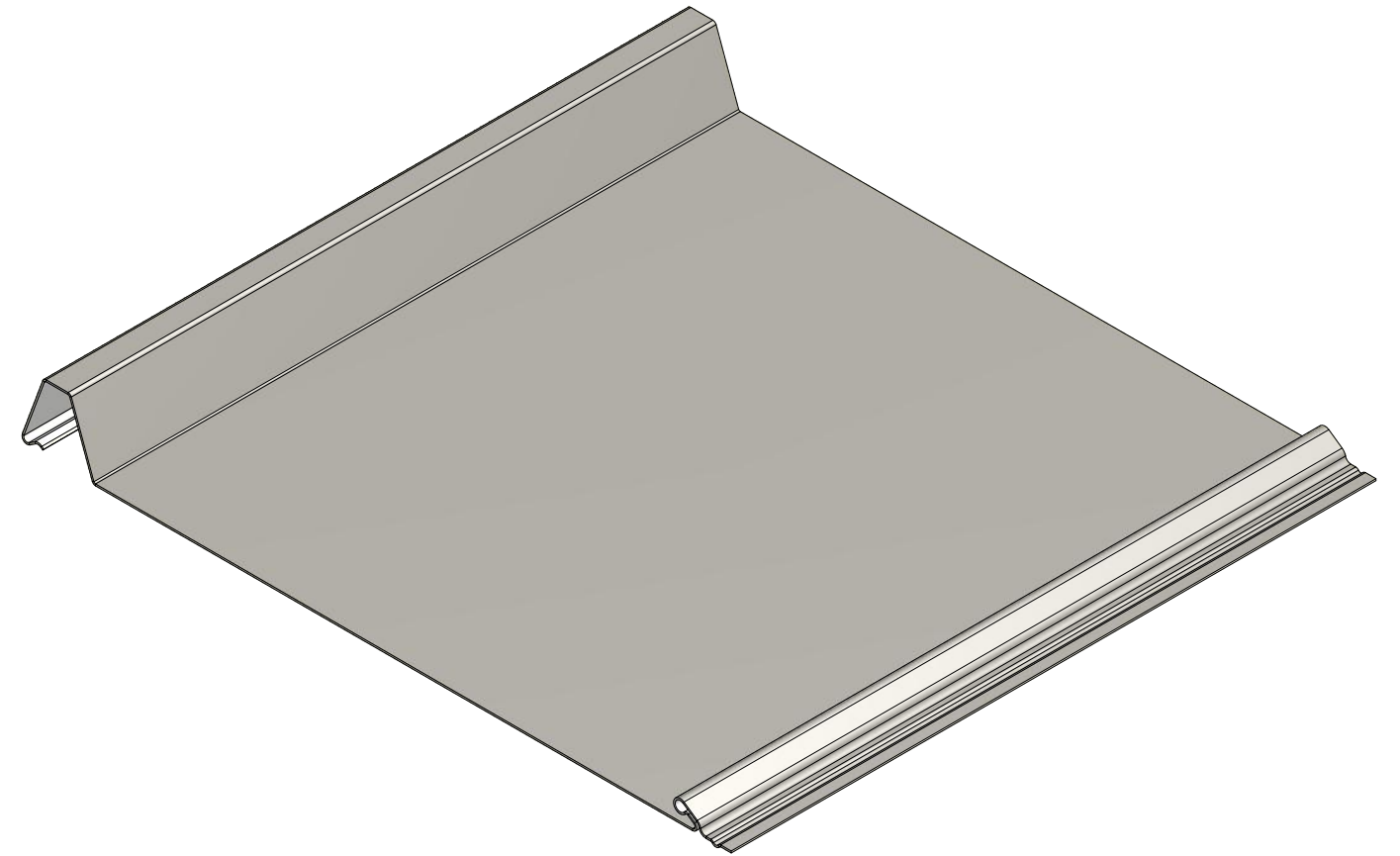


ATAS INTERNATIONAL, INC
 Allentown PA
 610-395-8445
 Mesa AZ
 480-558-7210

TITLE			MultiPurpose Panel Detail		
DWG. NO.		DR	DMR	DATE	11/1/2017
		APP		DATE	
MATERIAL			SH. SIZE	B	SCALE
					X:X

REV. NO.	DATE	DESCRIPTION OF REVISION	BY	APP

MPN120 Panel

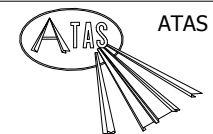
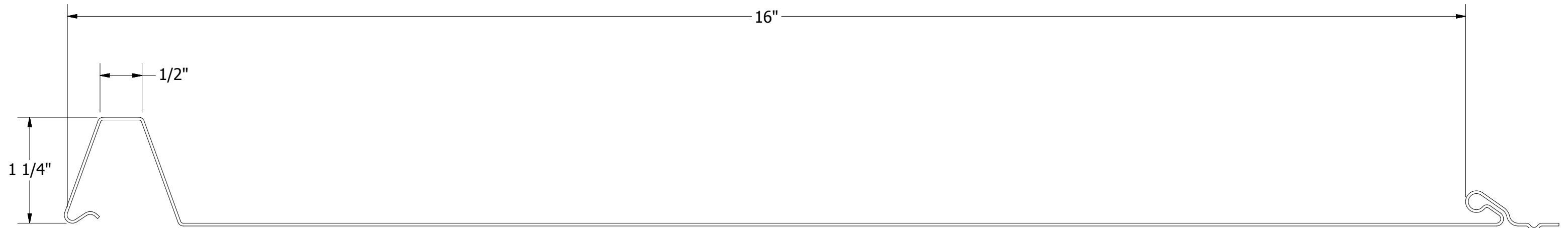
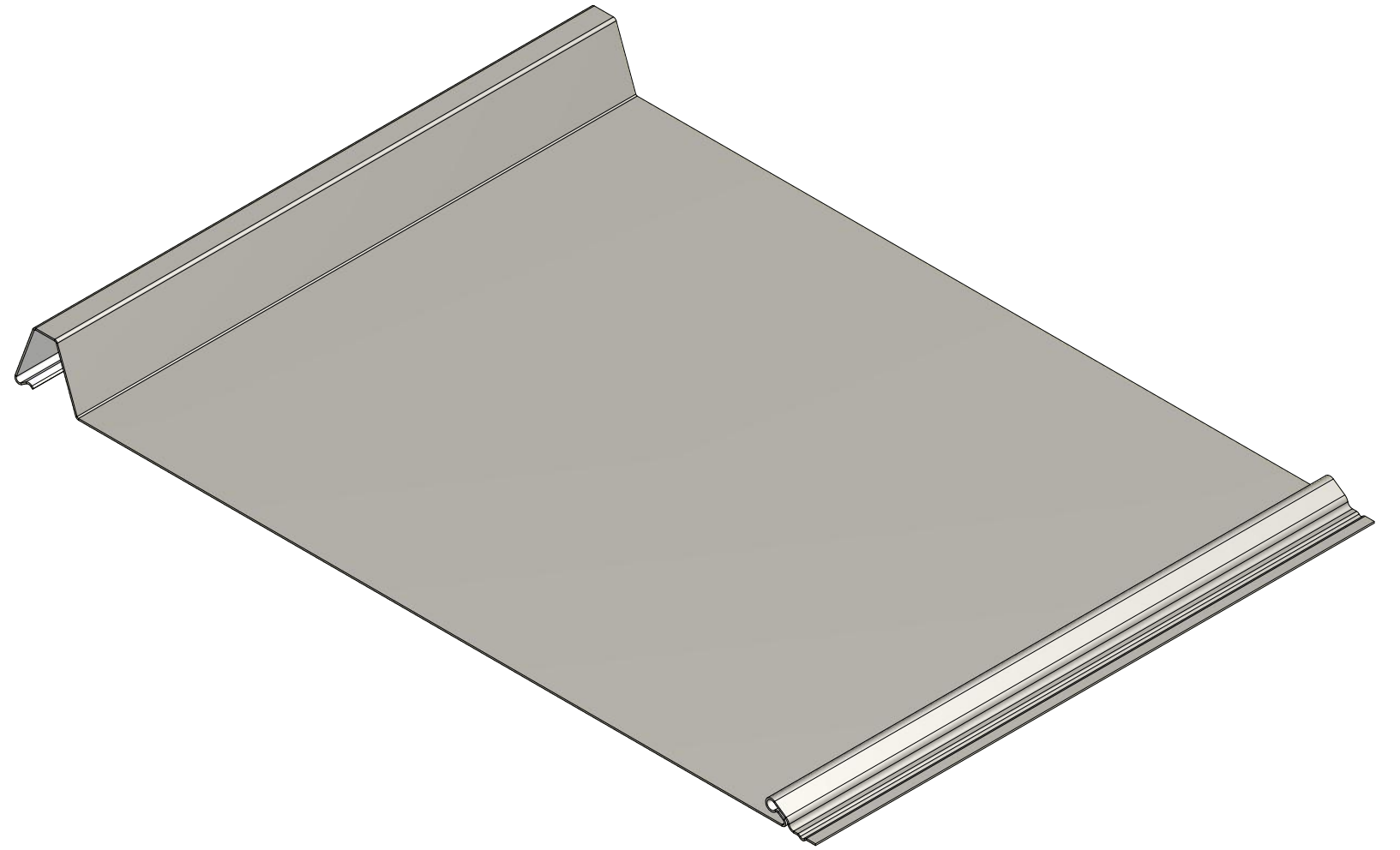


ATAS INTERNATIONAL, INC
 Allentown PA
 610-395-8445
 Mesa AZ
 480-558-7210

TITLE			MultiPurpose Panel Detail		
DWG. NO.		DR		DATE	
		DMR		11/1/2017	
MATERIAL		APP		DATE	
		SH. SIZE		SCALE	
		B		X:X	

REV. NO.	DATE	DESCRIPTION OF REVISION	BY	APP

MPN160 Panel

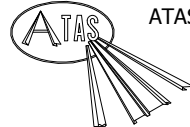
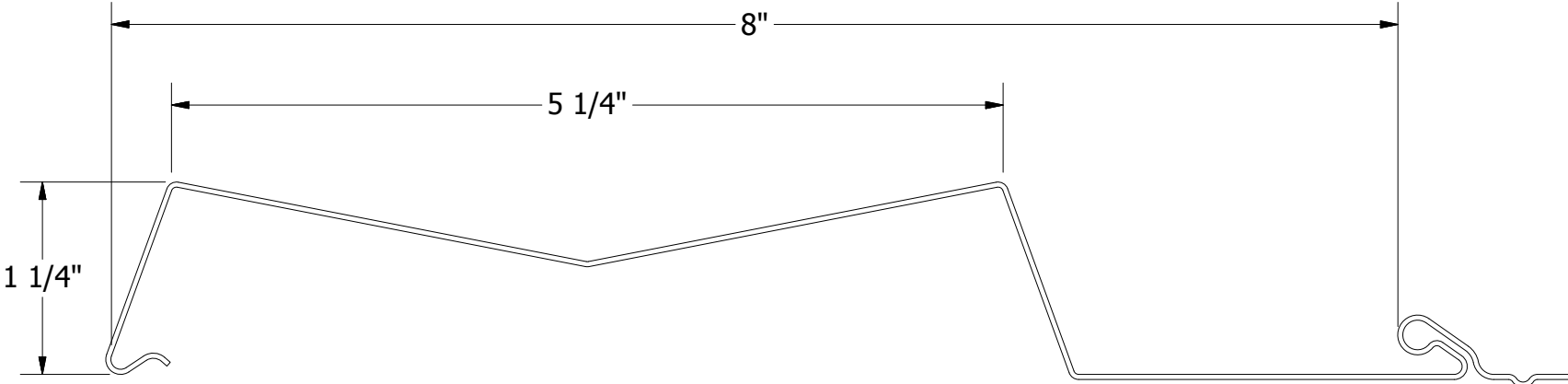
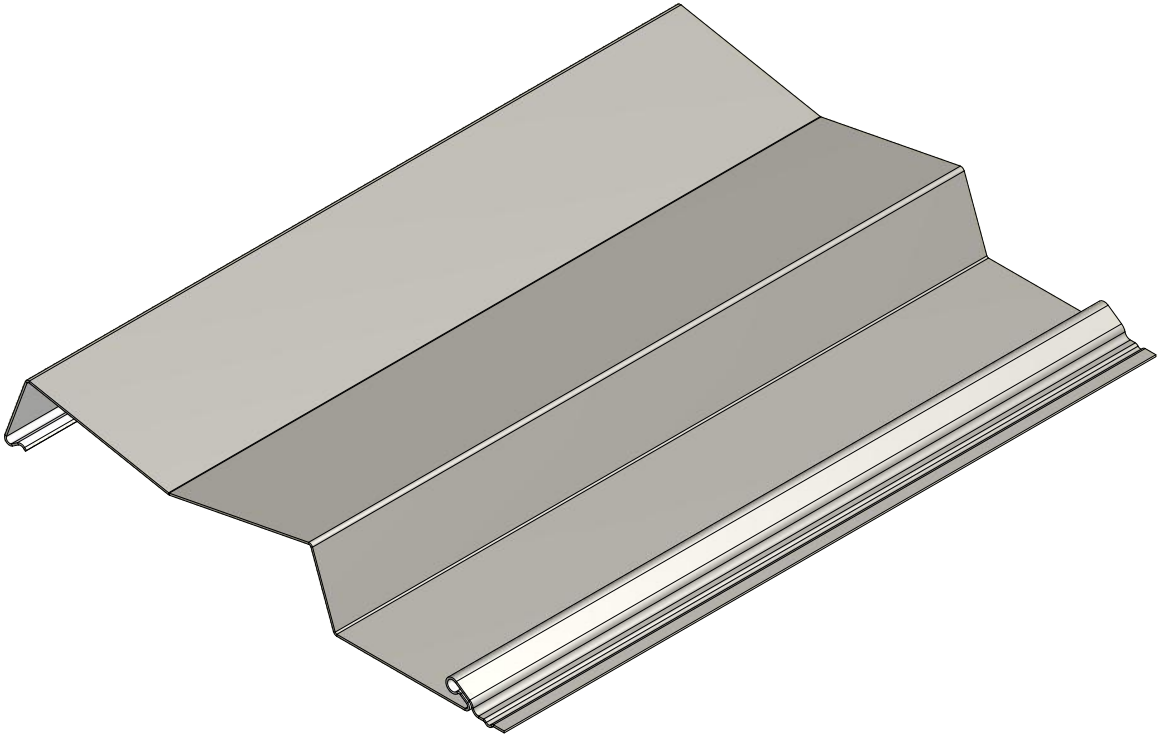


ATAS INTERNATIONAL, INC
 Allentown PA
 610-395-8445
 Mesa AZ
 480-558-7210

TITLE		MultiPurpose Panel Detail	
DWG. NO.	DR	DATE	11/1/2017
	DMR	DATE	
MATERIAL	APP	DATE	
SH. SIZE	B	SCALE	X:X

REV. NO.	DATE	DESCRIPTION OF REVISION	BY	APP

MPV080 Panel

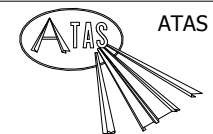
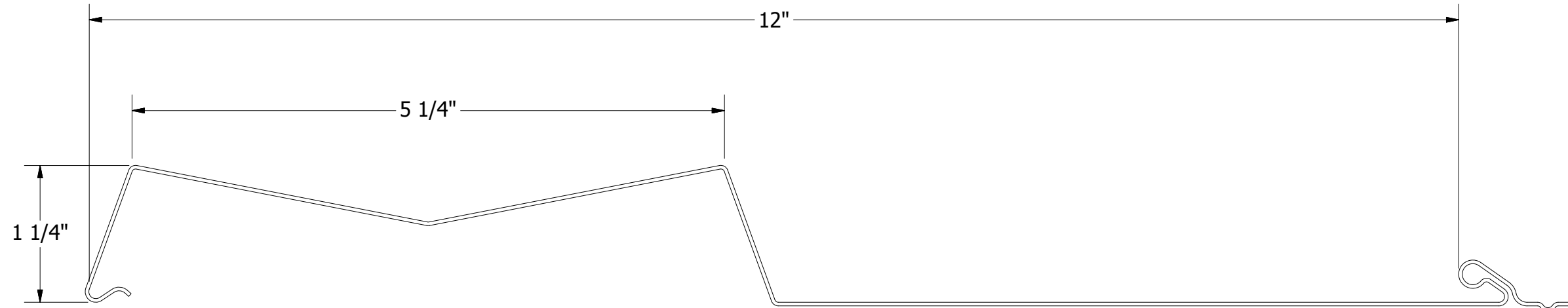
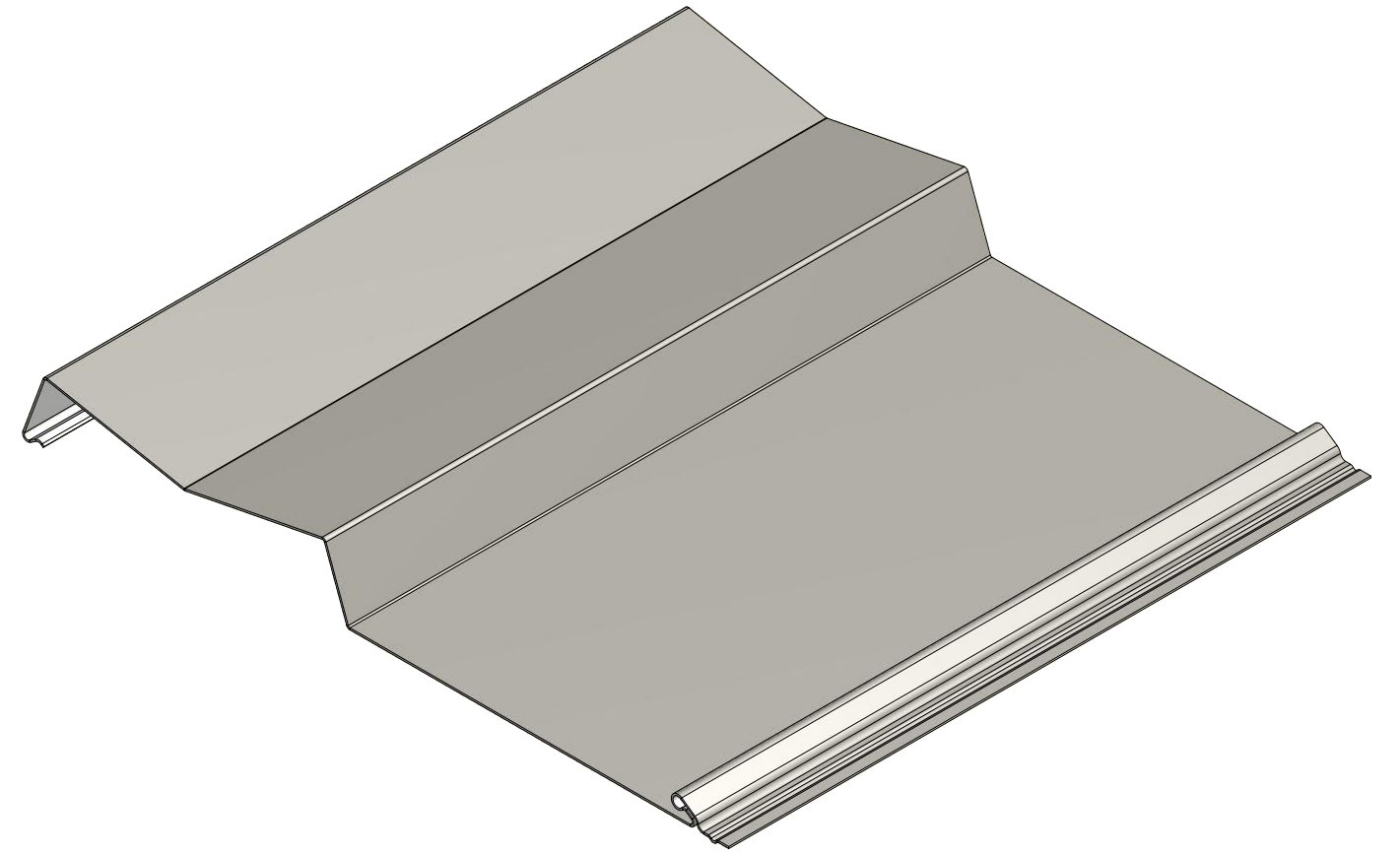


ATAS INTERNATIONAL, INC
 Allentown PA
 610-395-8445
 Mesa AZ
 480-558-7210

TITLE **MultiPurpose Panel Detail**
 DR **DMR** DATE **11/1/2017**
 APP DATE
 MATERIAL SH. SIZE **B** SCALE **X:X**

REV. NO.	DATE	DESCRIPTION OF REVISION	BY	APP

MPV125 Panel

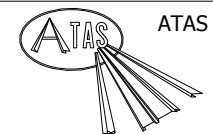
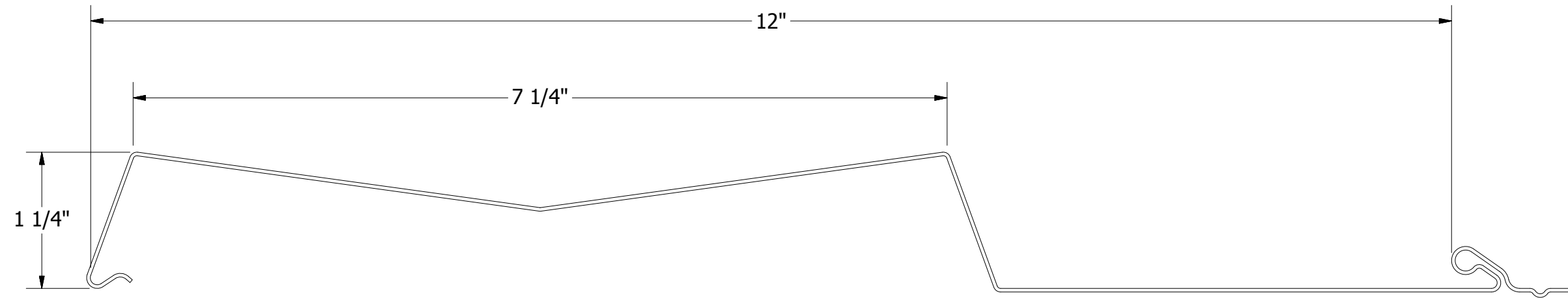
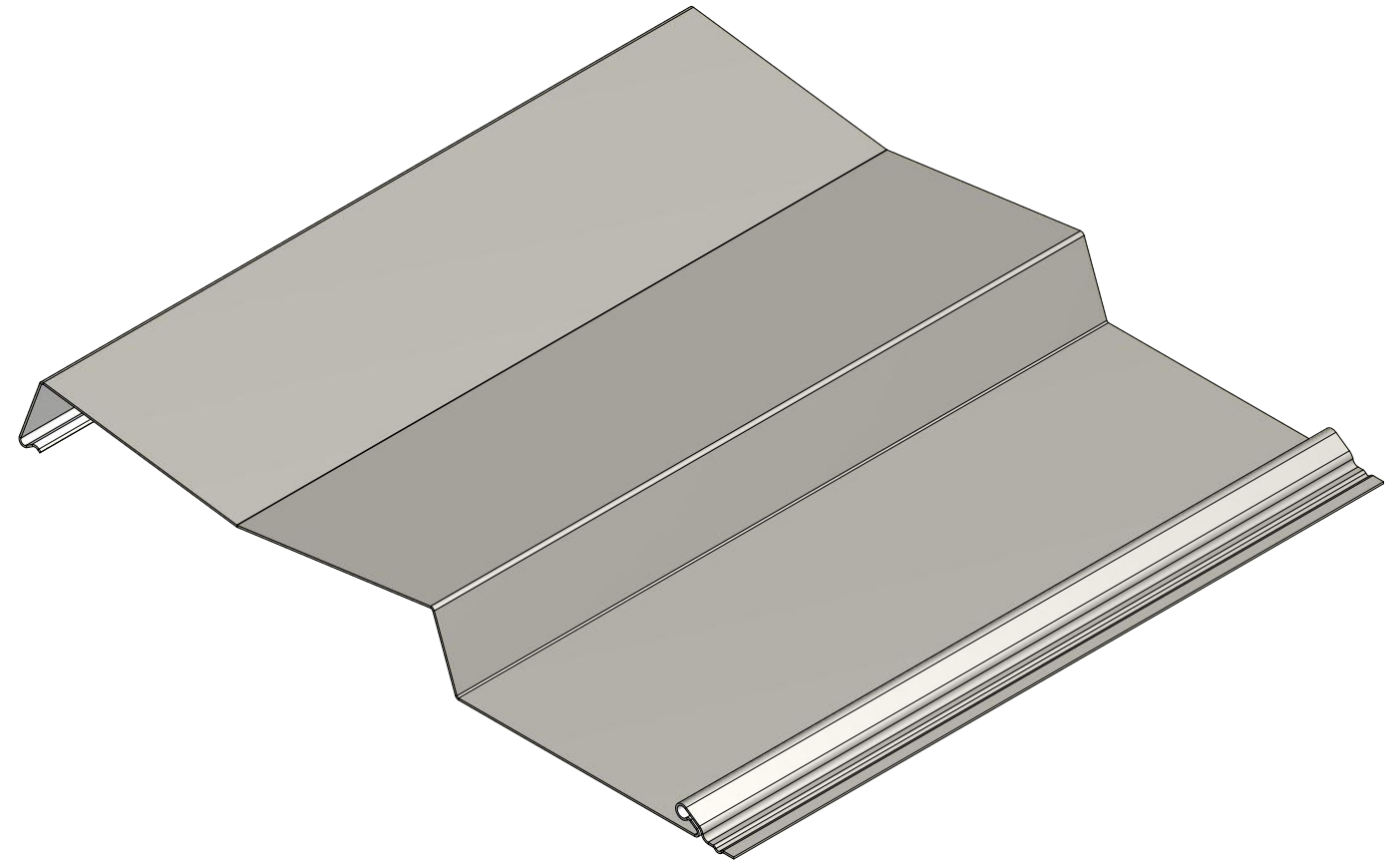


ATAS INTERNATIONAL, INC
 Allentown PA
 610-395-8445
 Mesa AZ
 480-558-7210

TITLE			MultiPurpose Panel Detail		
DWG. NO.		DR		DATE	
		DMR		11/1/2017	
MATERIAL		APP		DATE	
		SH. SIZE		SCALE	
		B		X:X	

REV. NO.	DATE	DESCRIPTION OF REVISION	BY	APP

MPV127 Panel

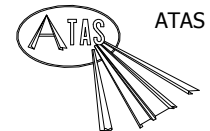
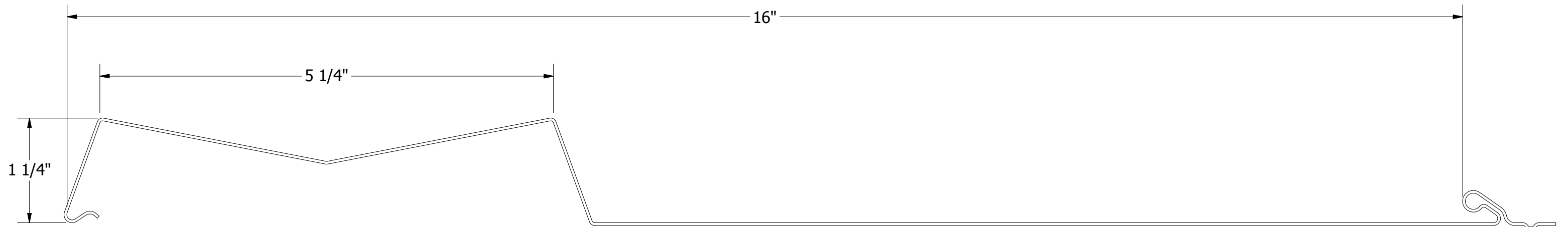
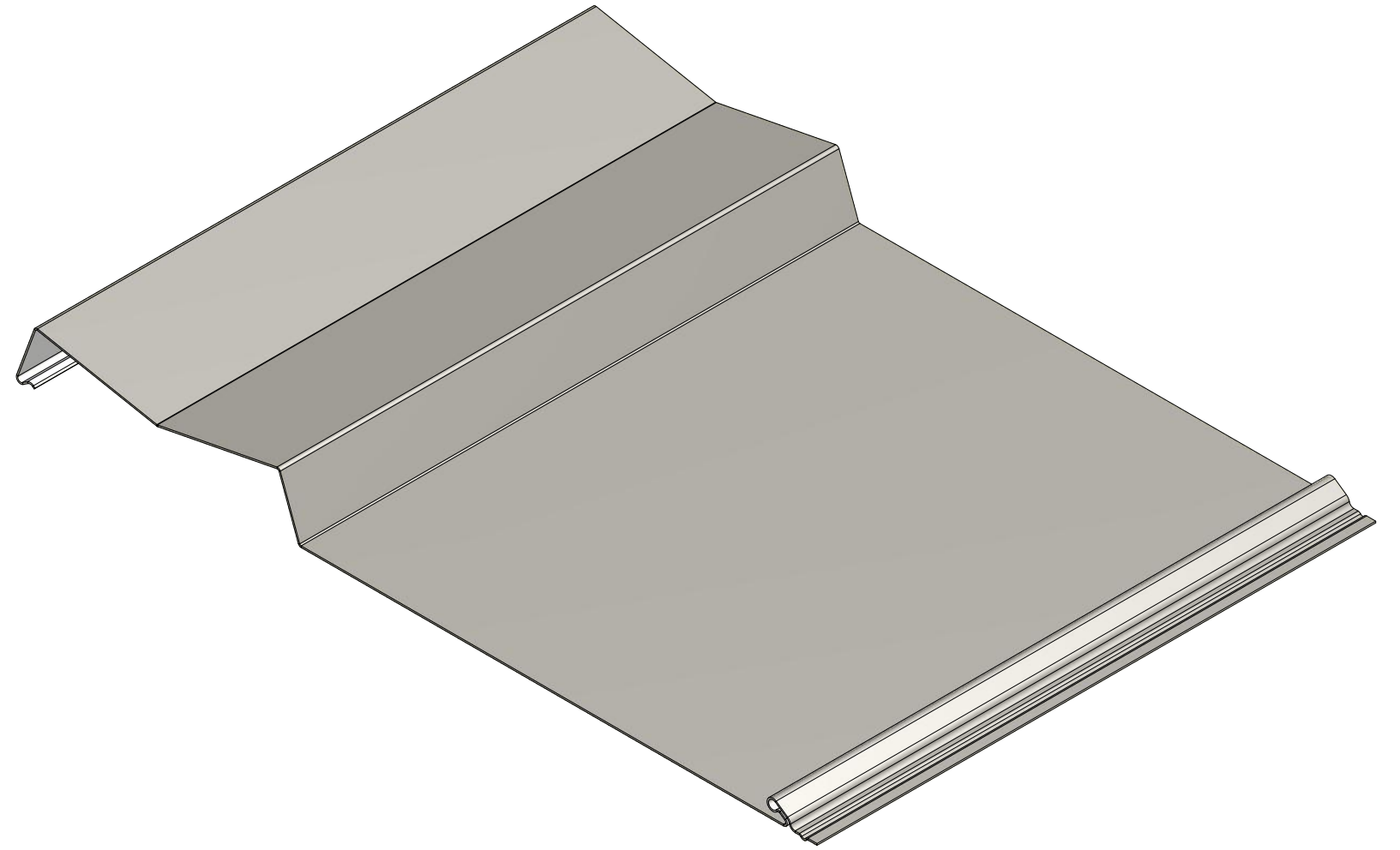


ATAS INTERNATIONAL, INC
 Allentown PA
 610-395-8445
 Mesa AZ
 480-558-7210

TITLE			MultiPurpose Panel Detail		
DWG. NO.		DR		DATE	
		DMR		11/1/2017	
MATERIAL		APP		DATE	
		SH. SIZE		SCALE	
		B		X:X	

REV. NO.	DATE	DESCRIPTION OF REVISION	BY	APP

MPV165 Panel

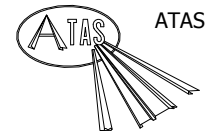
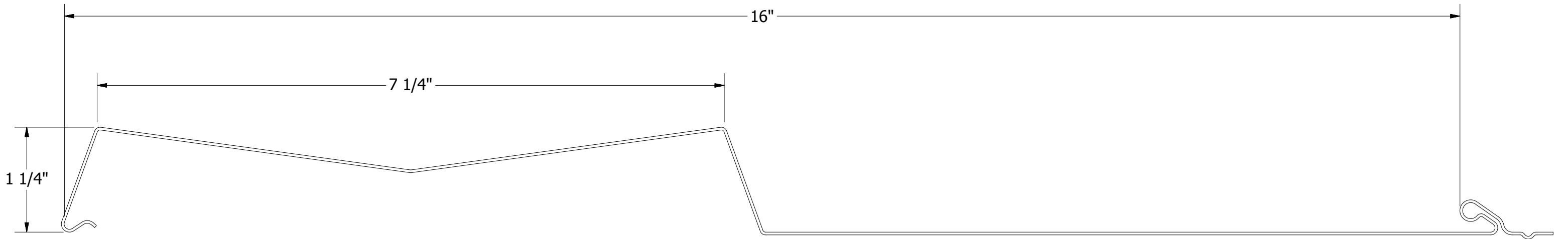
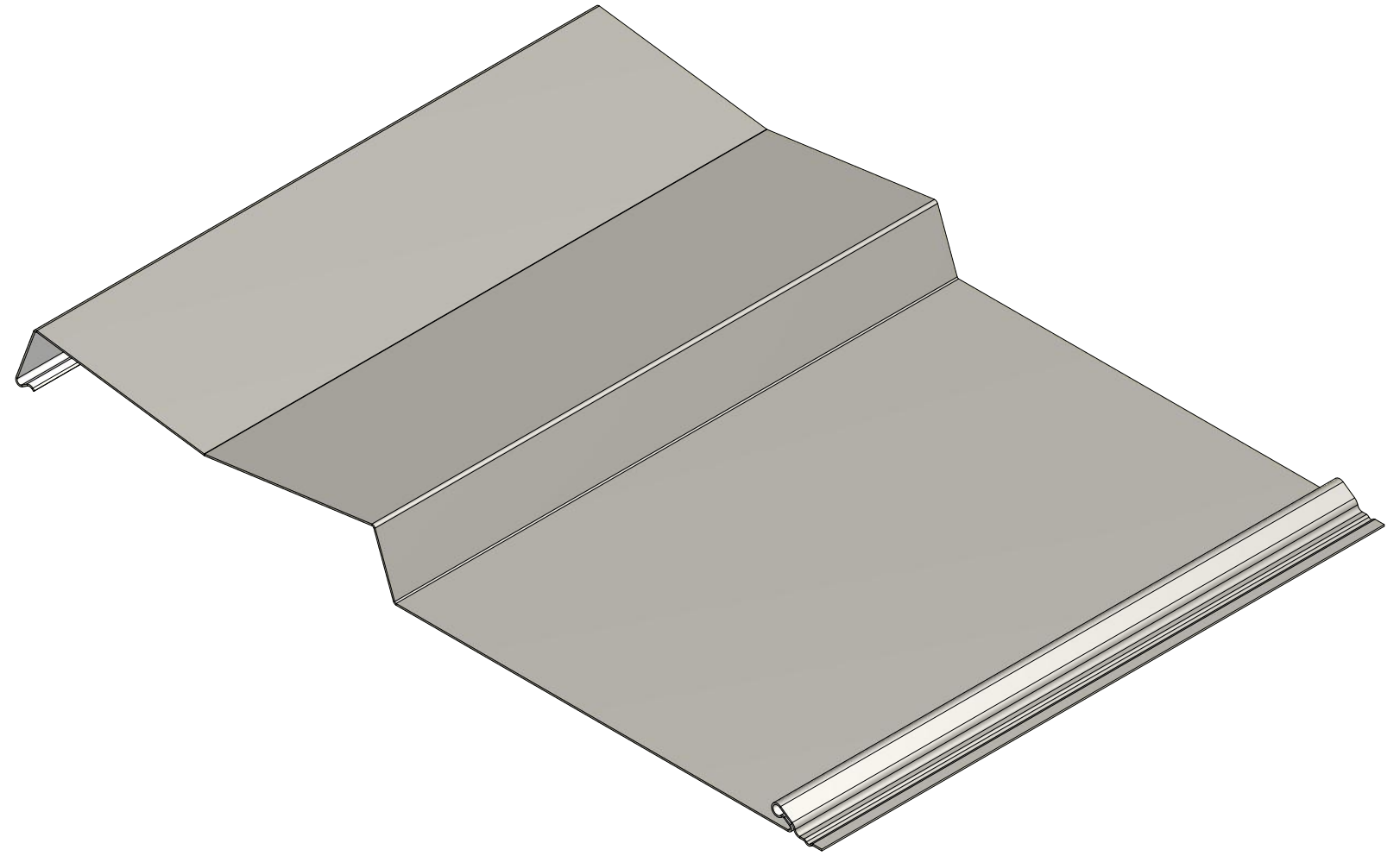


ATAS INTERNATIONAL, INC
 Allentown PA
 610-395-8445
 Mesa AZ
 480-558-7210

TITLE		MultiPurpose Panel Detail	
DWG. NO.	DR	DATE	11/1/2017
	DMR	DATE	
MATERIAL	APP	DATE	
SH. SIZE	B	SCALE	X:X

REV. NO.	DATE	DESCRIPTION OF REVISION	BY	APP

MPV167 Panel

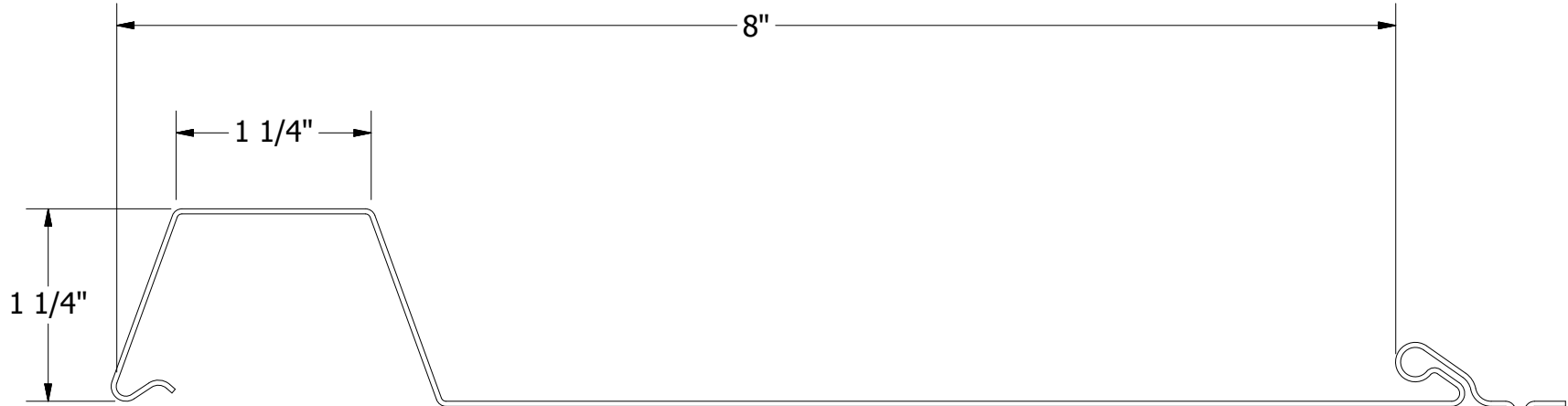
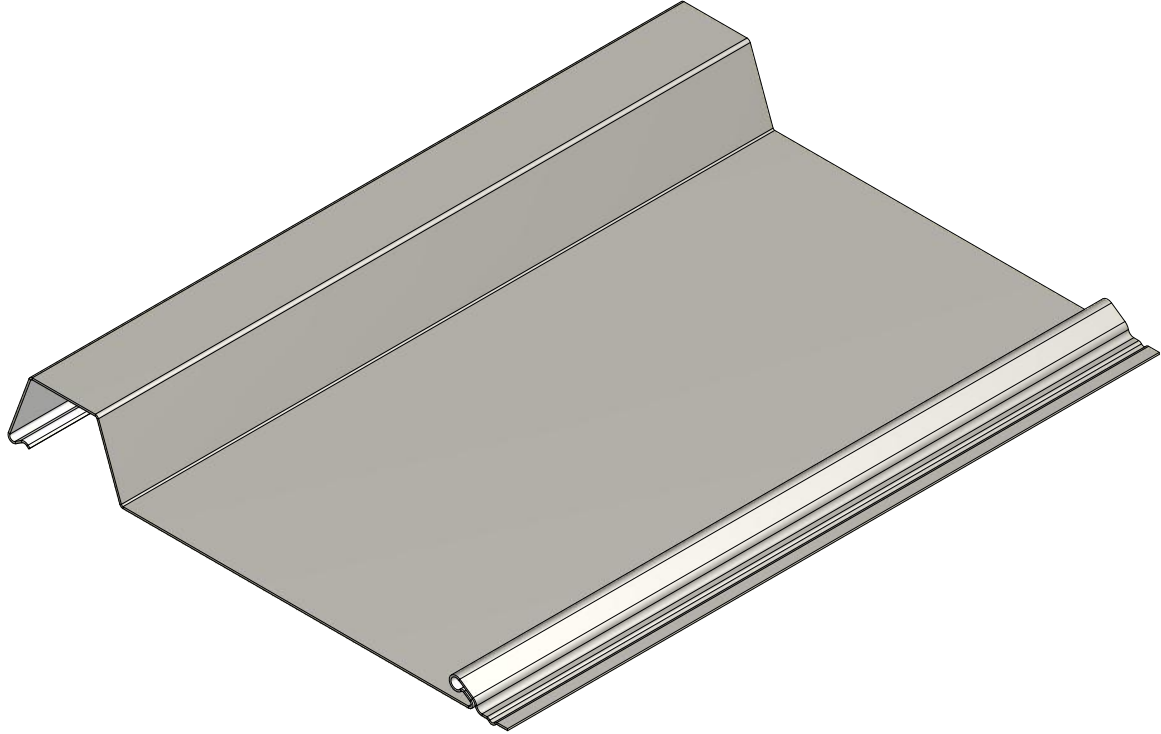


ATAS INTERNATIONAL, INC
 Allentown PA
 610-395-8445
 Mesa AZ
 480-558-7210

TITLE		MultiPurpose Panel Detail	
DWG. NO.	DR	DATE	11/1/2017
	DMR	DATE	
MATERIAL	APP	DATE	
SH. SIZE	B	SCALE	X:X

REV. NO.	DATE	DESCRIPTION OF REVISION	BY	APP

MPW080 Panel

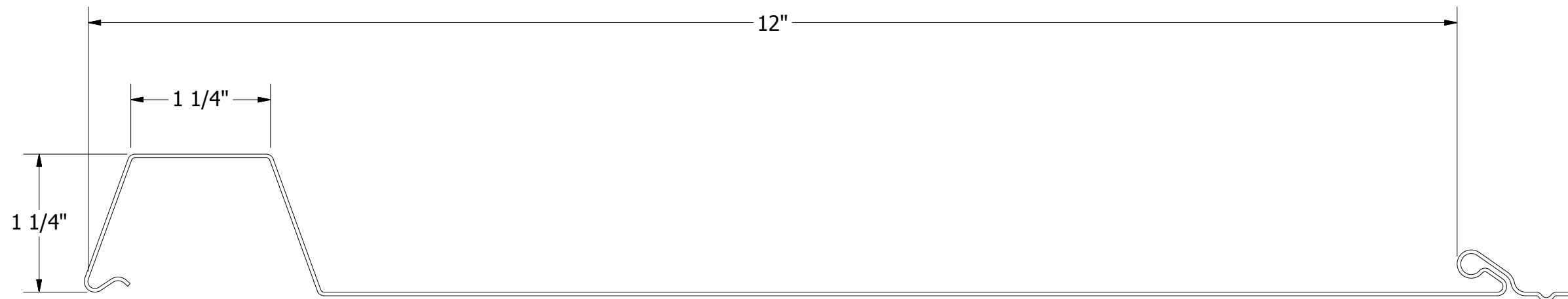
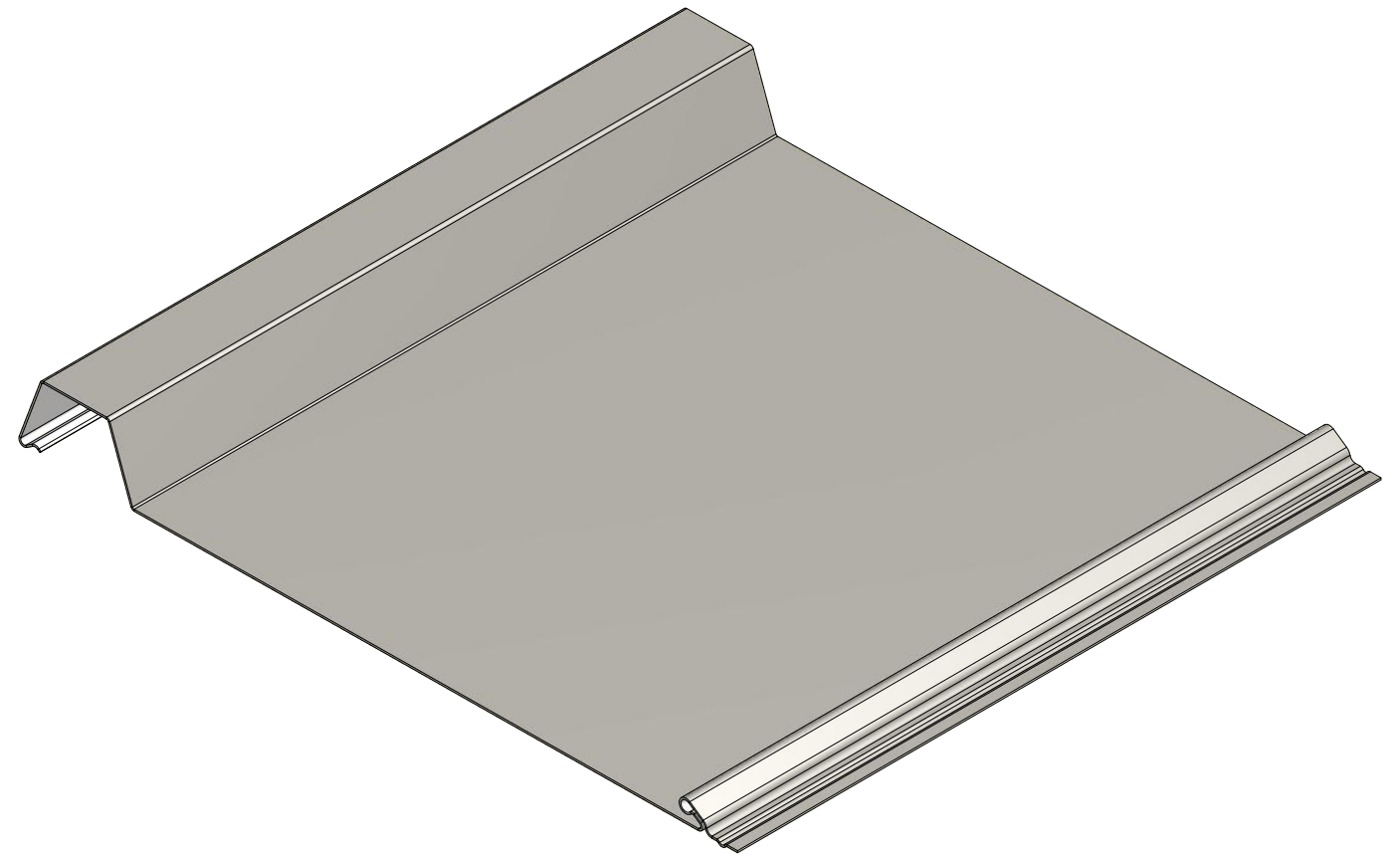


ATAS ATAS INTERNATIONAL, INC
 Allentown PA
 610-395-8445
 Mesa AZ
 480-558-7210

TITLE		MultiPurpose Panel Detail	
DWG. NO.	DR	DATE	11/1/2017
	DMR	DATE	
MATERIAL	APP	SH. SIZE	B
		SCALE	X:X

REV. NO.	DATE	DESCRIPTION OF REVISION	BY	APP

MPW120 Panel

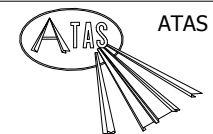
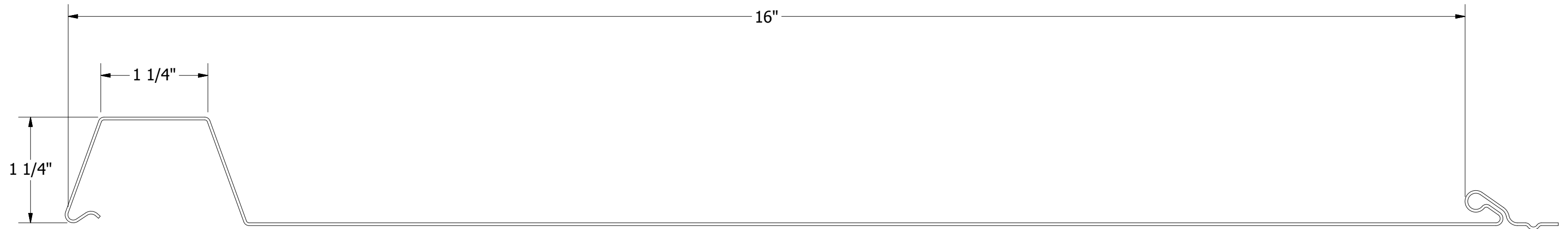
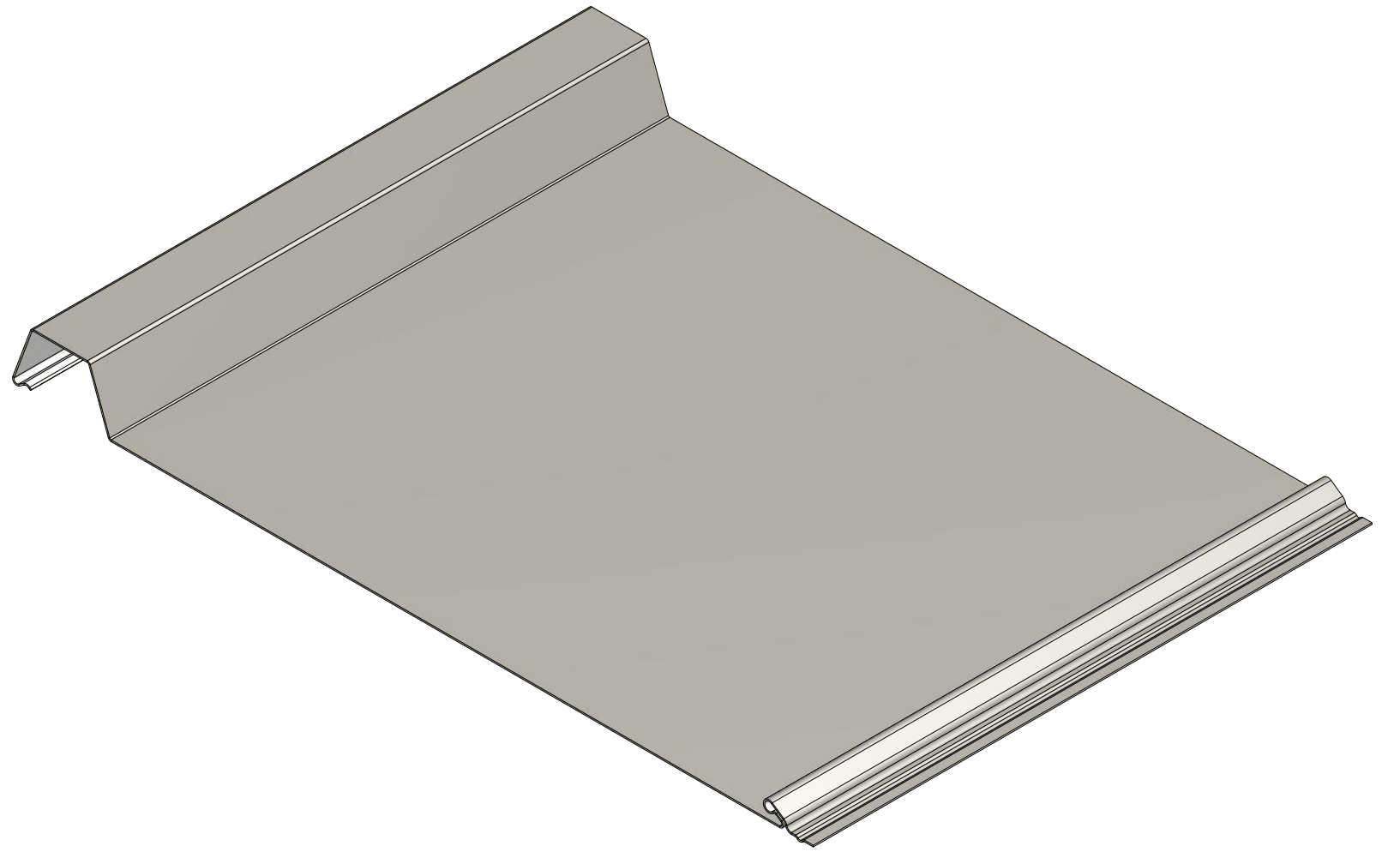


ATAS ATAS INTERNATIONAL, INC
 Allentown PA
 610-395-8445
 Mesa AZ
 480-558-7210

TITLE		MultiPurpose Panel Detail	
DWG. NO.	DR	DATE	11/1/2017
	DMR	DATE	
MATERIAL	APP	SH. SIZE	B
		SCALE	X:X

REV. NO.	DATE	DESCRIPTION OF REVISION	BY	APP

MPW160 Panel



ATAS INTERNATIONAL, INC
 Allentown PA
 610-395-8445
 Mesa AZ
 480-558-7210

TITLE		MultiPurpose Panel Detail	
DWG. NO.	DR	DATE	11/1/2017
	DMR	DATE	
MATERIAL	APP	SH. SIZE	B
		SCALE	X:X

REV. NO.	DATE	DESCRIPTION OF REVISION	BY	APP