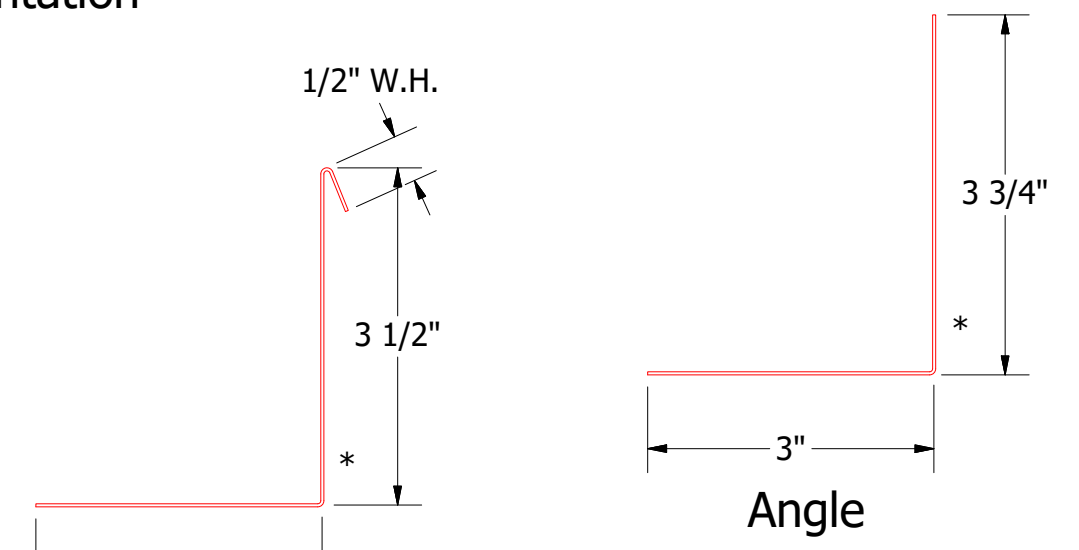
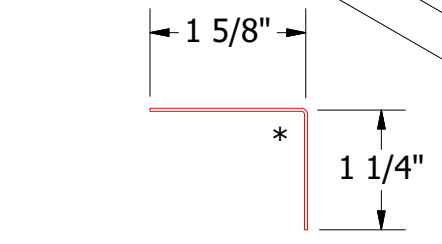
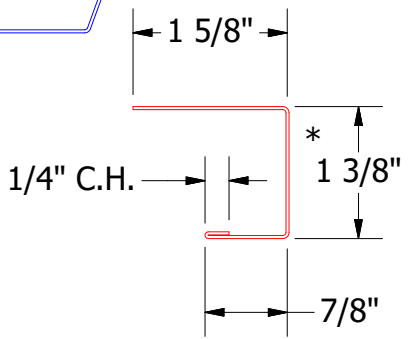
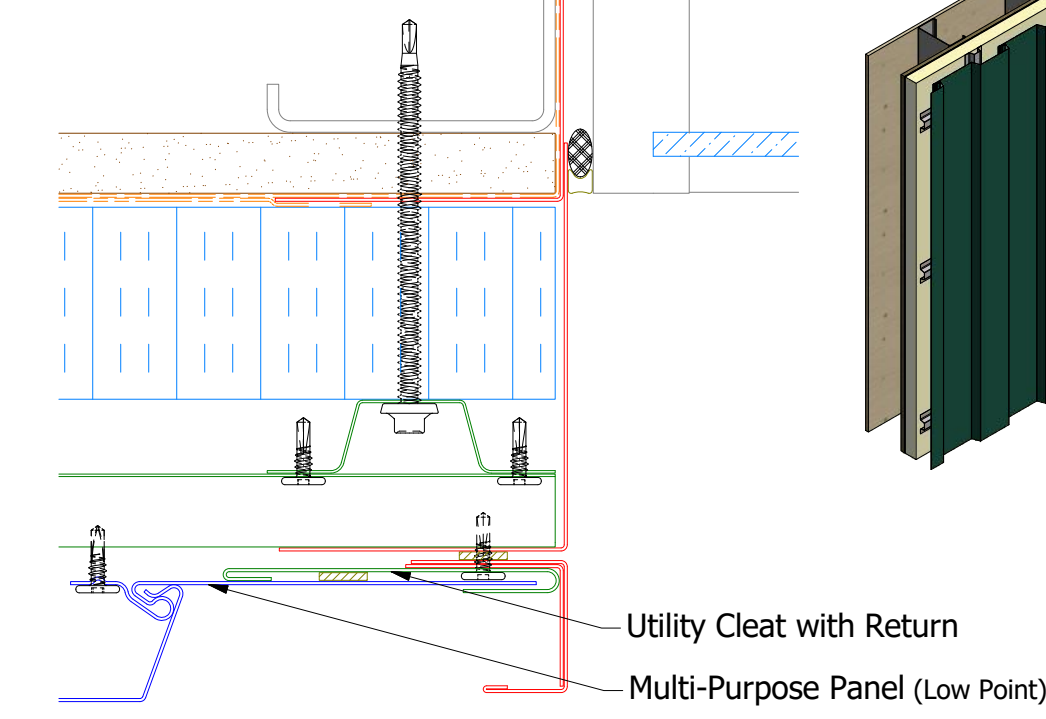
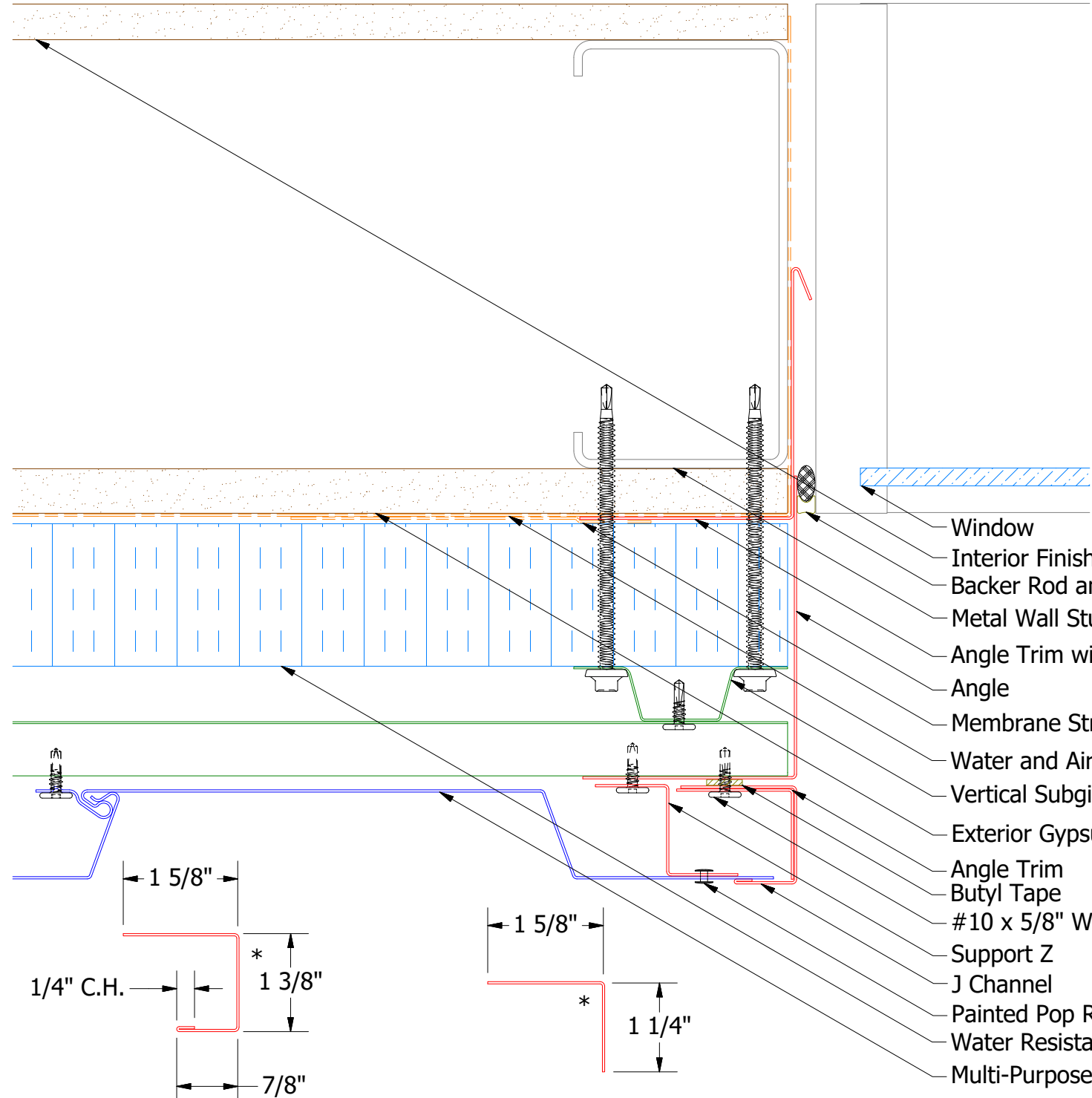
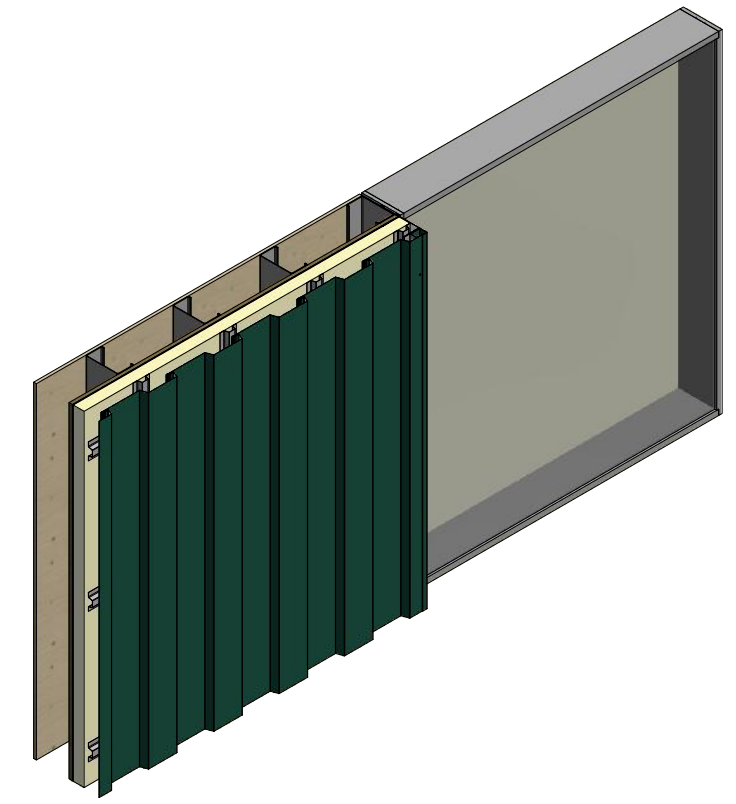
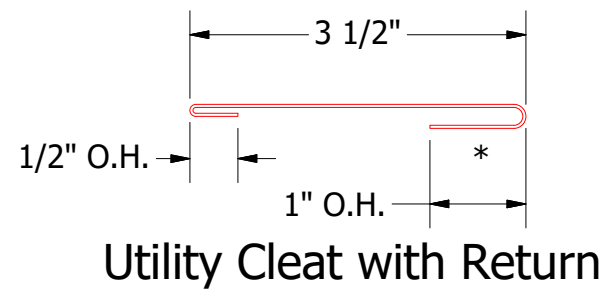
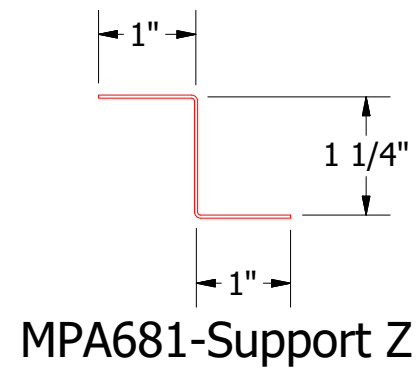


Vertical Panel



- Window
- Interior Finish
- Backer Rod and Sealant
- Metal Wall Stud
- Angle Trim with Return
- Angle
- Membrane Strip over Angle Trim with Return
- Water and Air Resistive Barrier
- Vertical Subgirt
- Exterior Gypsum Board
- Angle Trim
- Butyl Tape
- #10 x 5/8" Wafer Head Fastener
- Support Z
- J Channel
- Painted Pop Rivet (Stainless Steel)
- Water Resistant Insulation
- Multi-Purpose Panel (High Point)

REV. NO.	DATE	DESCRIPTION OF REVISION	BY	APP

ATAS ATAS INTERNATIONAL, INC
 Allentown PA
 610-395-8445
 Mesa AZ
 480-558-7210

TITLE: Multi-Purpose Open Jamb Detail

DWG. NO.	DR	DATE
	DMR	2/3/2017
MATERIAL	APP	DATE
SH. SIZE	B	SCALE
		X:X