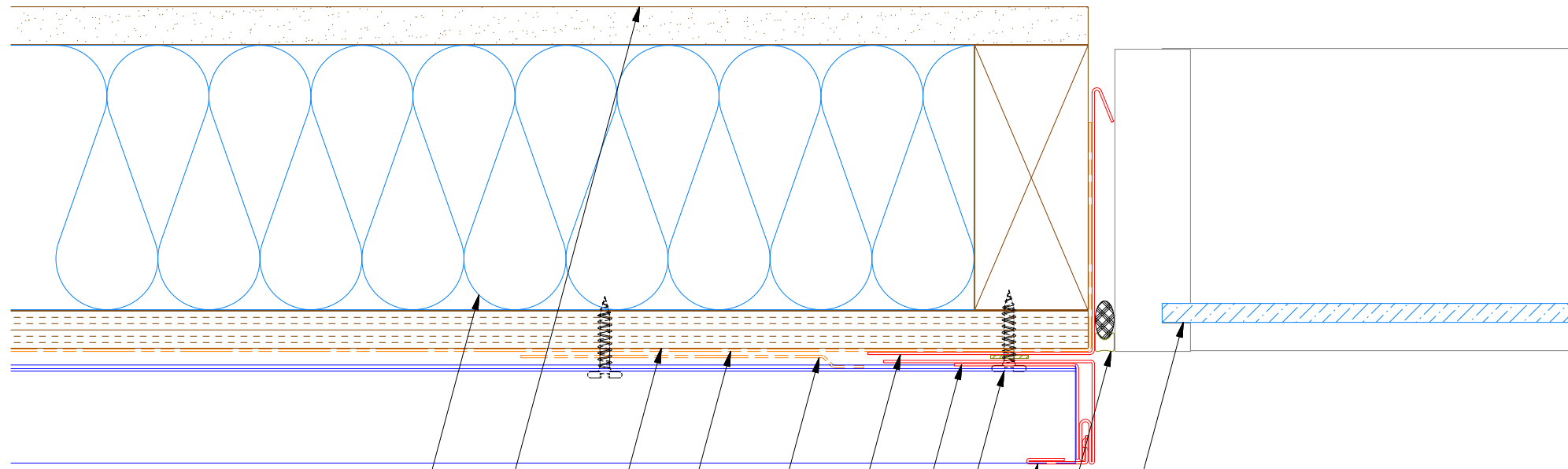
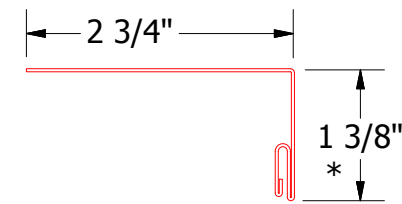
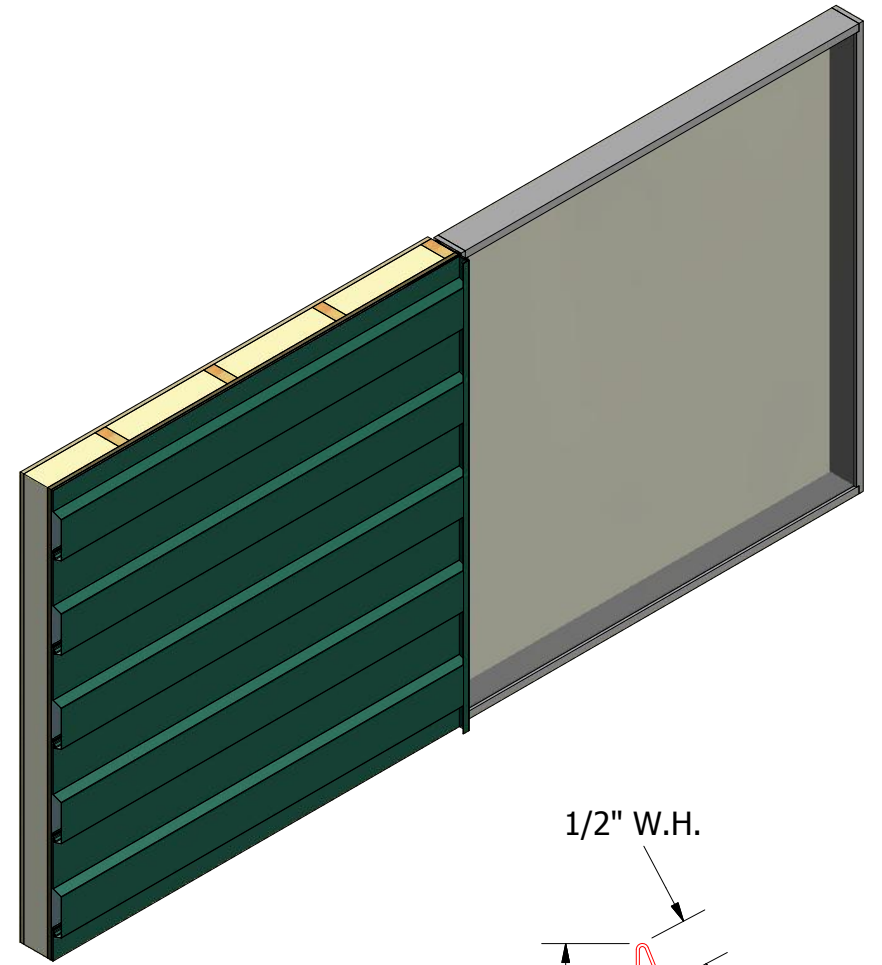


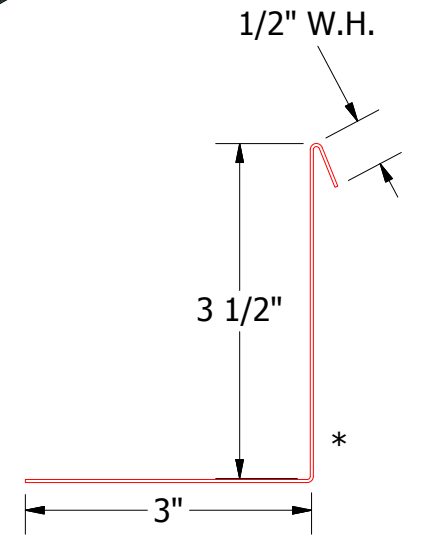
Horizontal Panel - Alternate



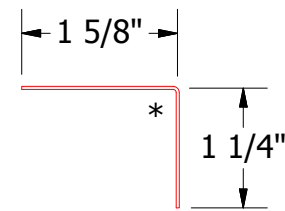
- Insulation
- Interior Finish
- 1/2" Plywood (min.)
- Water and Air Resistive Barrier
- Membrane Strip Over Snap J Channel
- Angle Trim With Return
- Angle Trim
- #10 x 1" Wafer Head Screw
- Snap J Channel
- Backer Rod and Sealant
- Window



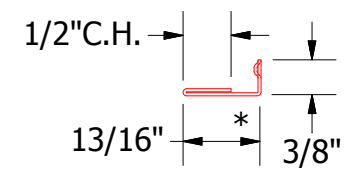
MPA139 - Snap J Base



MPA683 - Angle Trim With Return



MPA680 - Angle Trim



UNS078 - Snap J Cover

ATAS ATAS INTERNATIONAL, INC
 Allentown PA
 610-395-8445
 Mesa AZ
 480-558-7210

TITLE MultiPurposePanel Jamb Alt Detail

REV. NO.	DATE	DESCRIPTION OF REVISION	BY	APP	DWG. NO.	DR MBP	DATE 7/12/2016
						APP DAS	DATE 7/29/16
					MATERIAL	SH. SIZE B	SCALE X:X