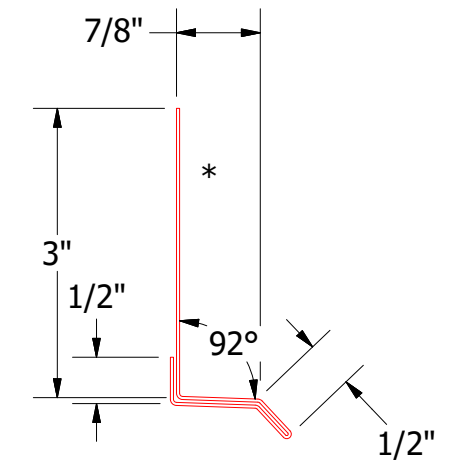
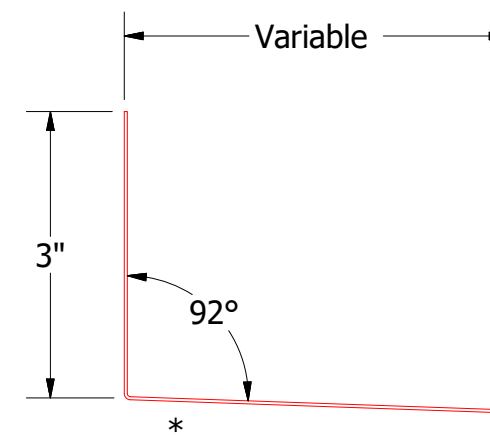
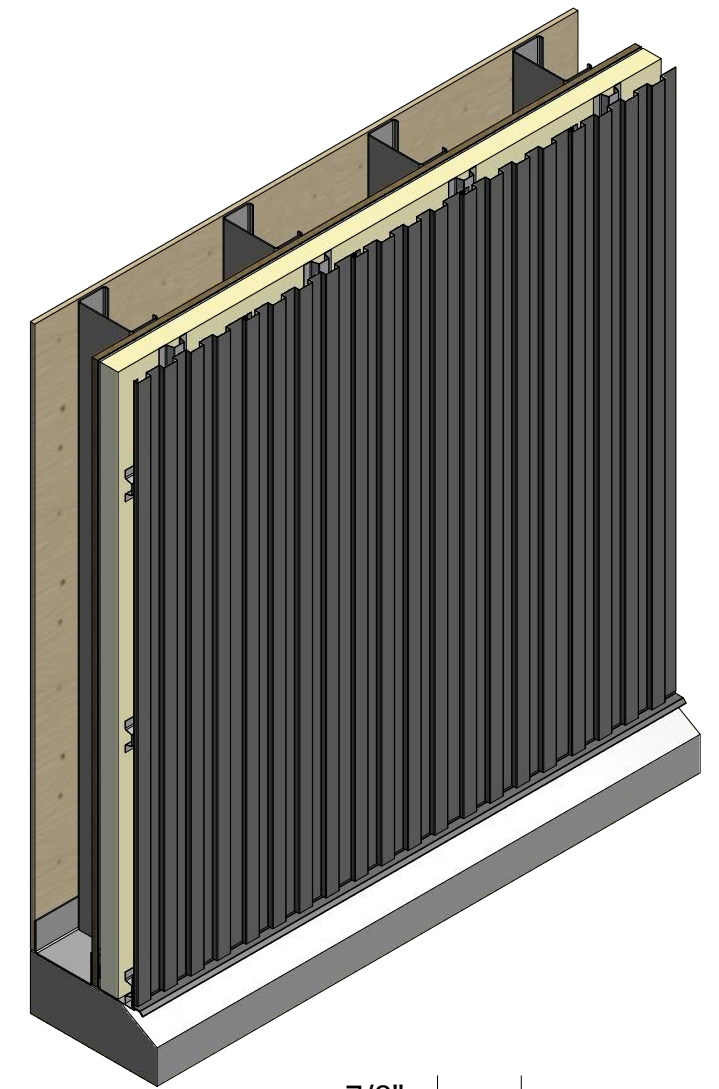
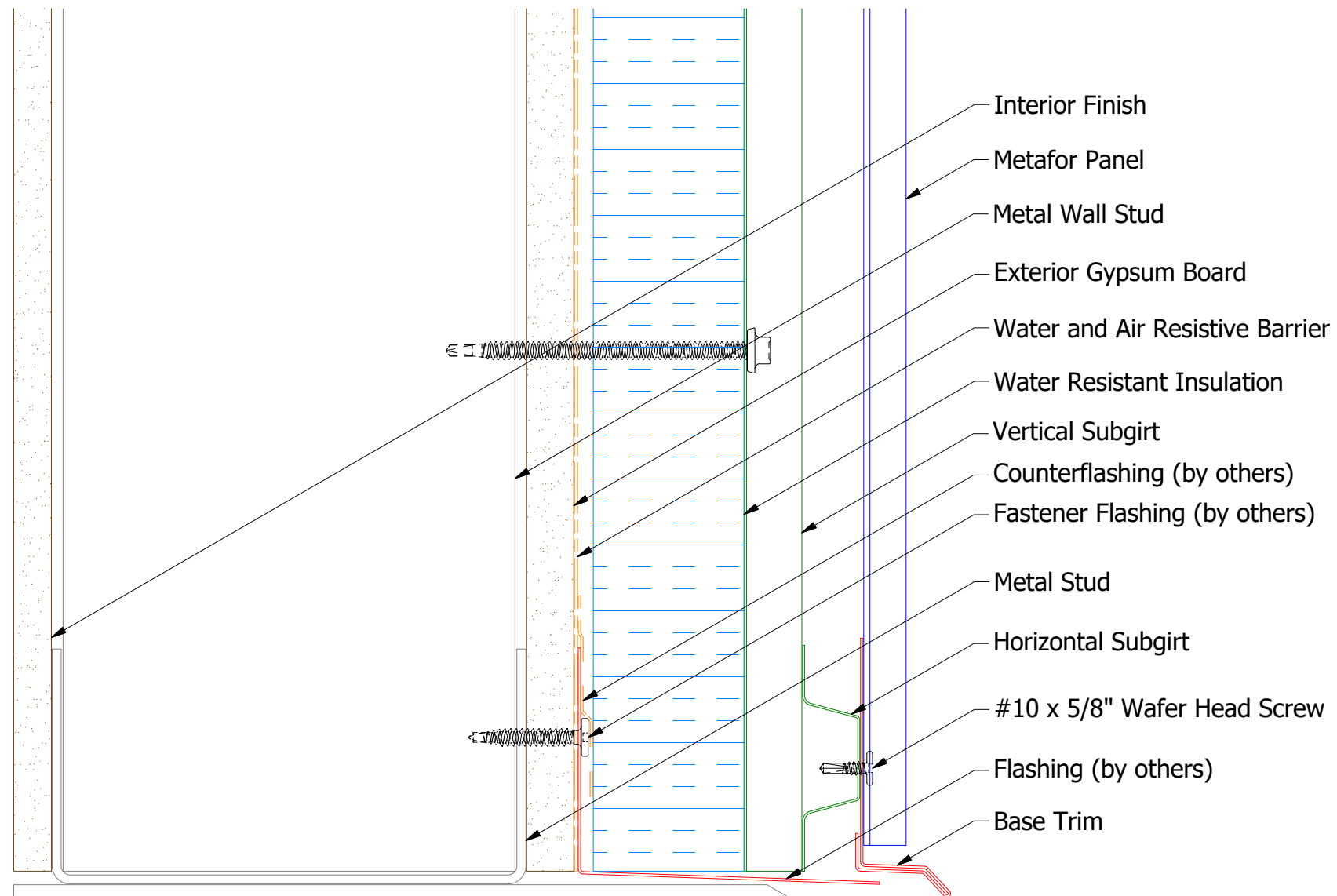
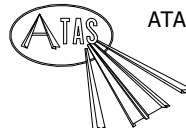


# Vertical Panel



Note: \* denotes color side.

 <b>ATAS INTERNATIONAL, INC</b> Allentown PA 610-395-8445 Mesa AZ 480-558-7210		TITLE	
		<b>Metafor Base Detail</b>	
DWG. NO.		DR	DATE
		KRK	8/12/2014
MATERIAL		APP	DATE
REV. NO.	DATE	DESCRIPTION OF REVISION	BY APP
		SH. SIZE	SCALE
		B	X:X
