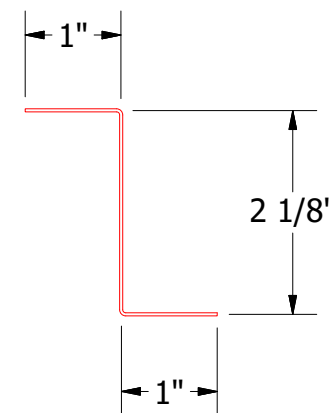
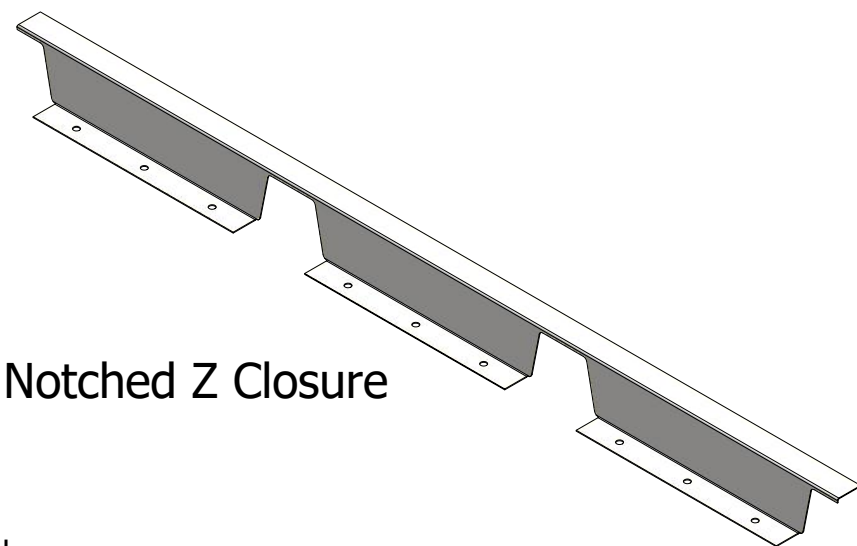
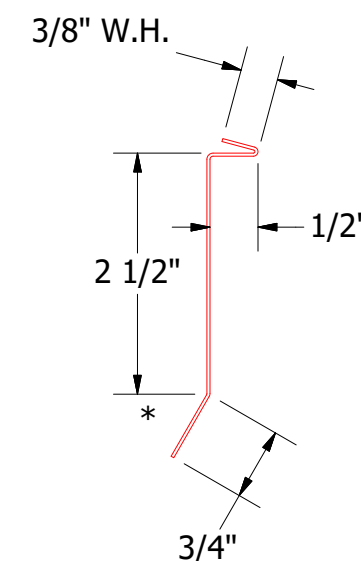


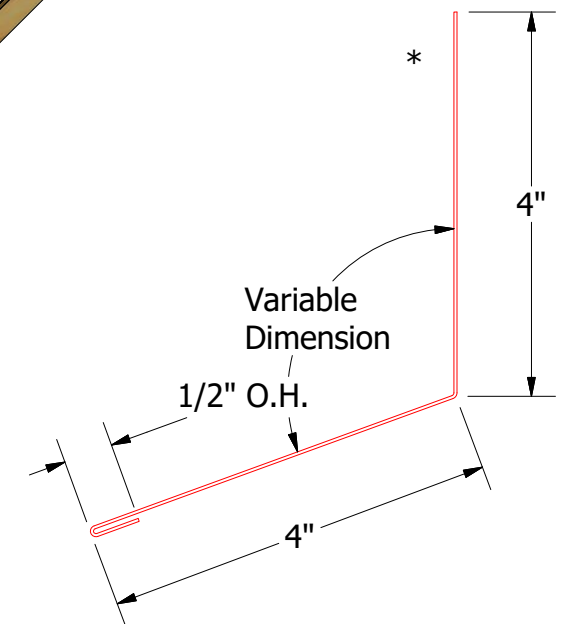
Factory Pre Notched Z Closure



MRA910-Z Closure



MRA980-Counterflashing



MRA500-Headwall Trim

		ATAS INTERNATIONAL, INC Allentown PA 610-395-8445 Mesa AZ 480-558-7210	
MRB Headwall Detail			
REV. NO.	DATE	DESCRIPTION OF REVISION	BY
2	6/3/2019	Updated Clip Information	AJZ
1	6/28/18	Updated Substrate and Titles	MBP
DWG. NO.		DR	DATE
		APP	10/21/2014
MATERIAL		SH. SIZE	SCALE
		B	X:X

Note: * denotes color side.

Note: Neoprene Closures are not required if Factory Pre Notched Z Closures are utilized.