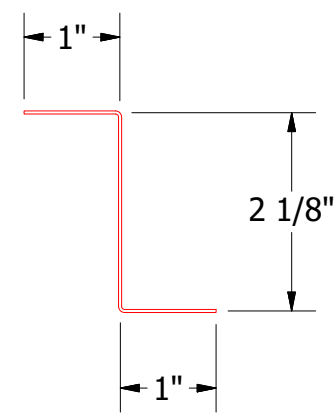
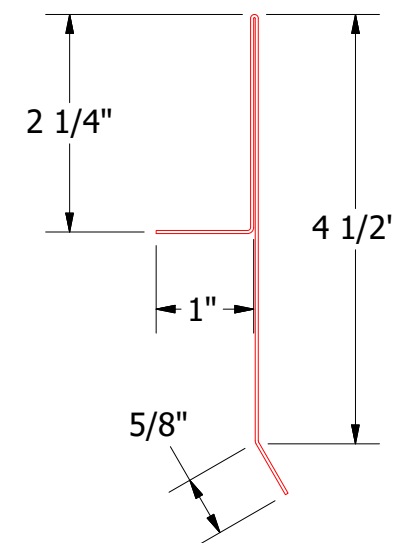


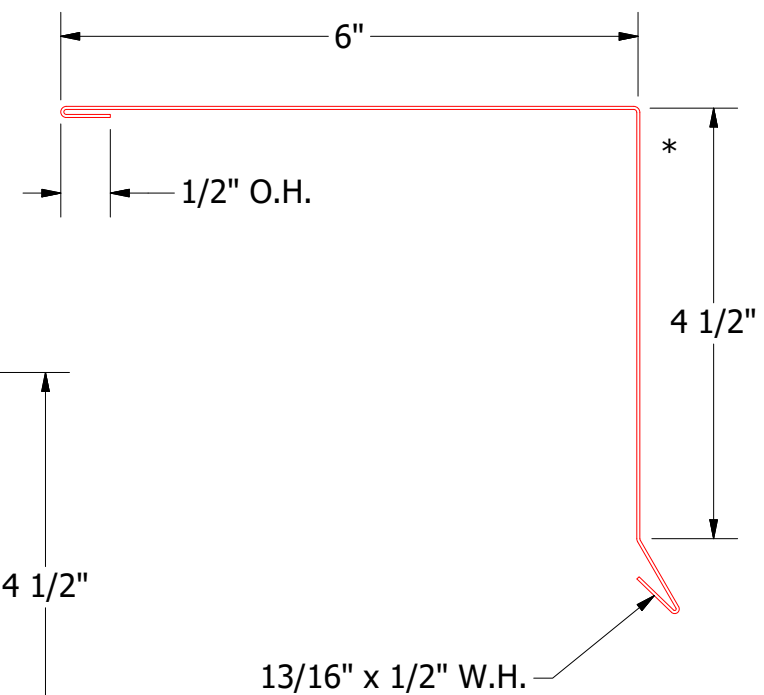
Butyl Tape Detail



MRA910-Z Closure



MRA211-Gable Starter Cleat



MRA210-Gable Trim

		<b>ATAS INTERNATIONAL, INC</b> Allentown PA 610-395-8445 Mesa AZ 480-558-7210	
TITLE <b>MRB Ending Gable Detail</b>		DWG. NO. DR KRK DATE 10/21/2014 APP KRK DATE	MATERIAL SH. SIZE B SCALE X:X

Note: \* denotes color side.

REV. NO.	DATE	DESCRIPTION OF REVISION	BY	APP
2	6/3/2019	Updated Clip Information	AJZ	KRK
1	6/29/18	Updated Titles and Trims	MBP	