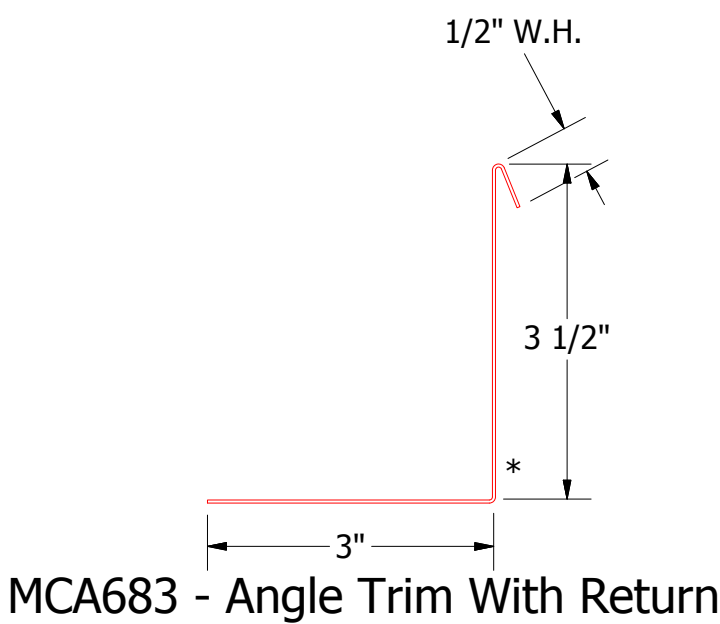
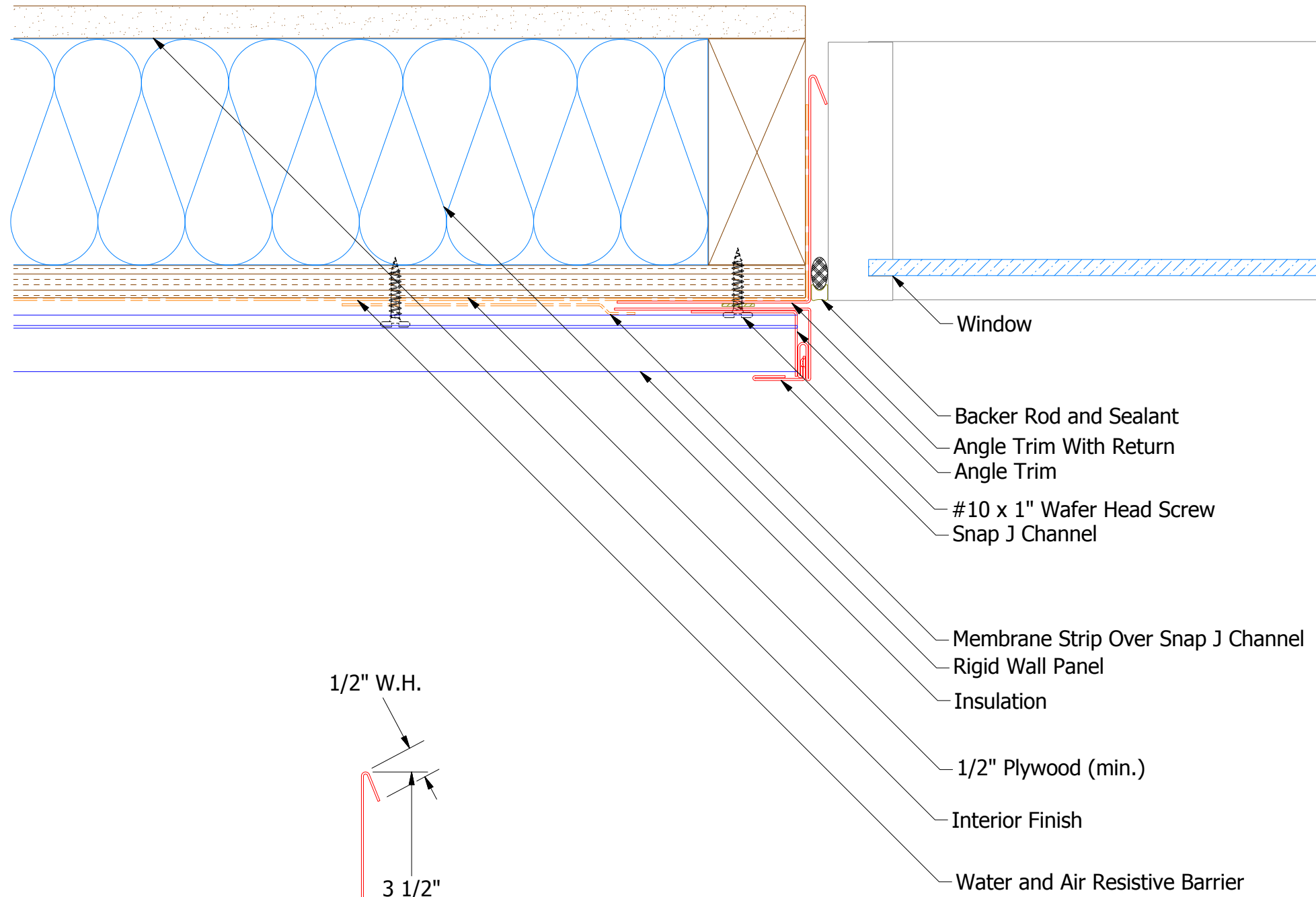
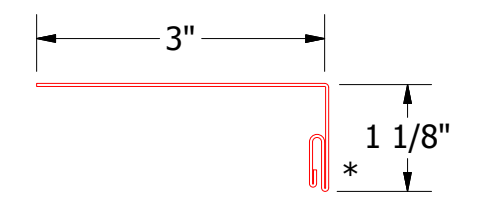
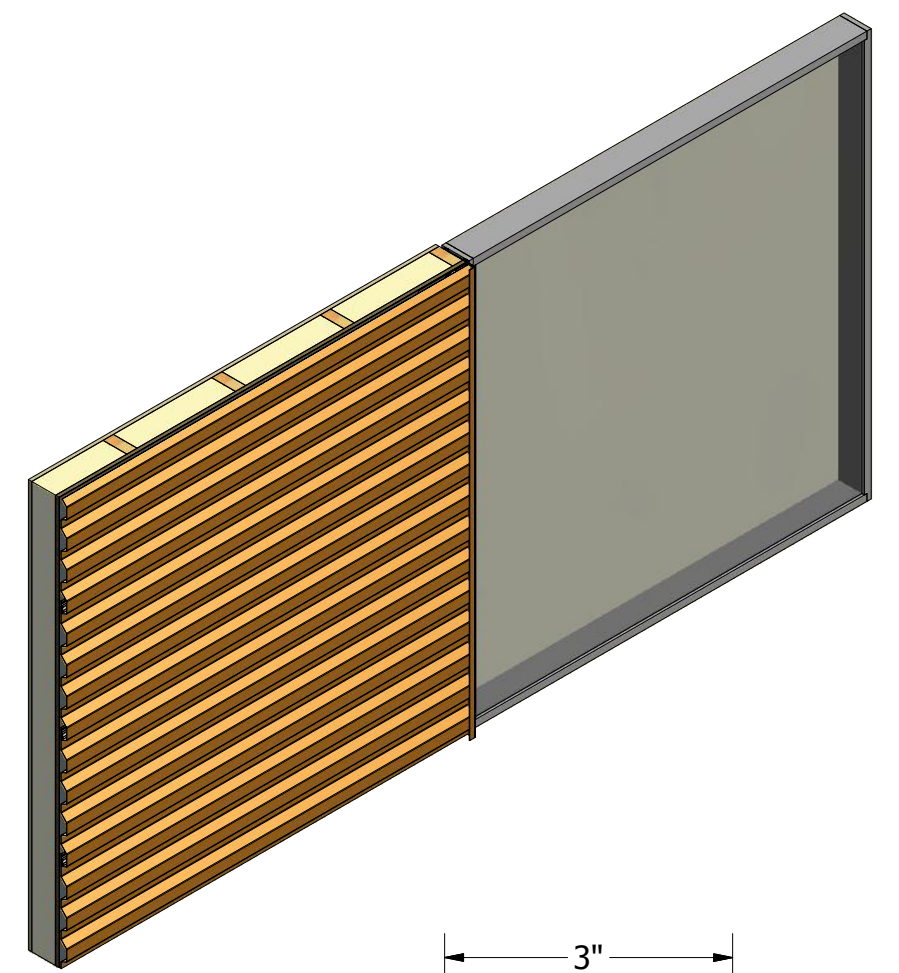


# Horizontal Panel - Alternate

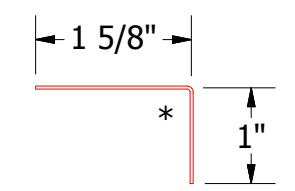


MCA683 - Angle Trim With Return

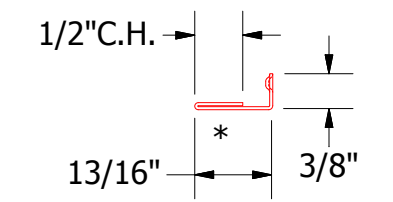
- Window
- Backer Rod and Sealant
- Angle Trim With Return
- Angle Trim
- #10 x 1" Wafer Head Screw
- Snap J Channel
- Membrane Strip Over Snap J Channel
- Rigid Wall Panel
- Insulation
- 1/2" Plywood (min.)
- Interior Finish
- Water and Air Resistive Barrier



MCA119 - Snap J Base



MCA680 - Angle Trim



UNS078 - Snap J Cover

**ATAS** ATAS INTERNATIONAL, INC  
 Allentown PA  
 610-395-8445  
 Mesa AZ  
 480-558-7210

REV. NO.		DATE	DESCRIPTION OF REVISION	BY	APP	TITLE		Rigid Wall Jamb Alt Detail	
DR		MBP	DATE	7/5/2016		DWG. NO.			
APP		DAS	DATE	7/25/16		MATERIAL			
SH. SIZE		B	SCALE	X:X					