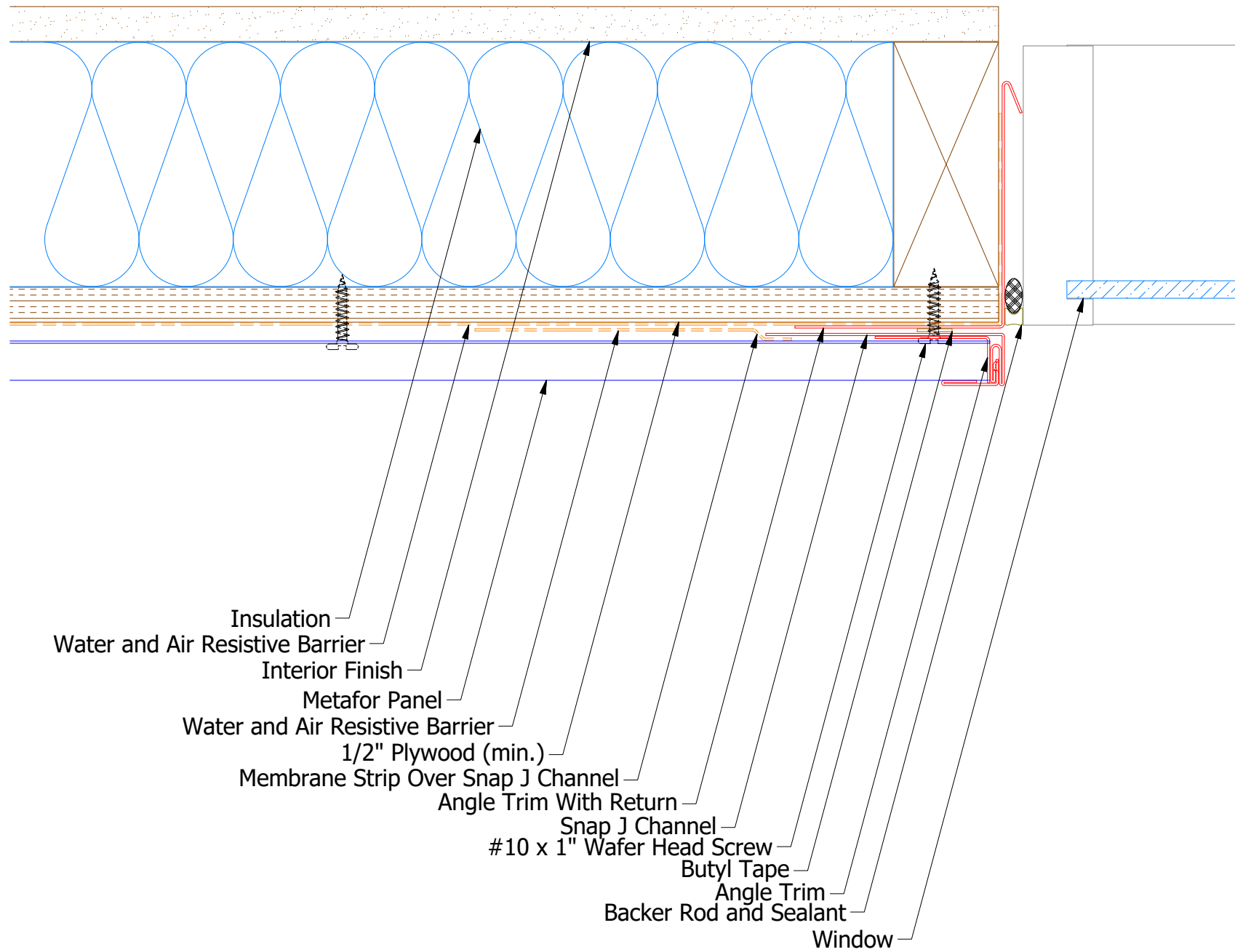
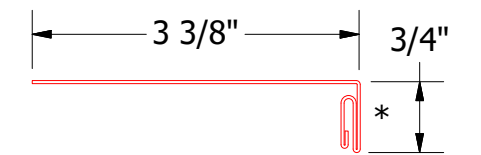
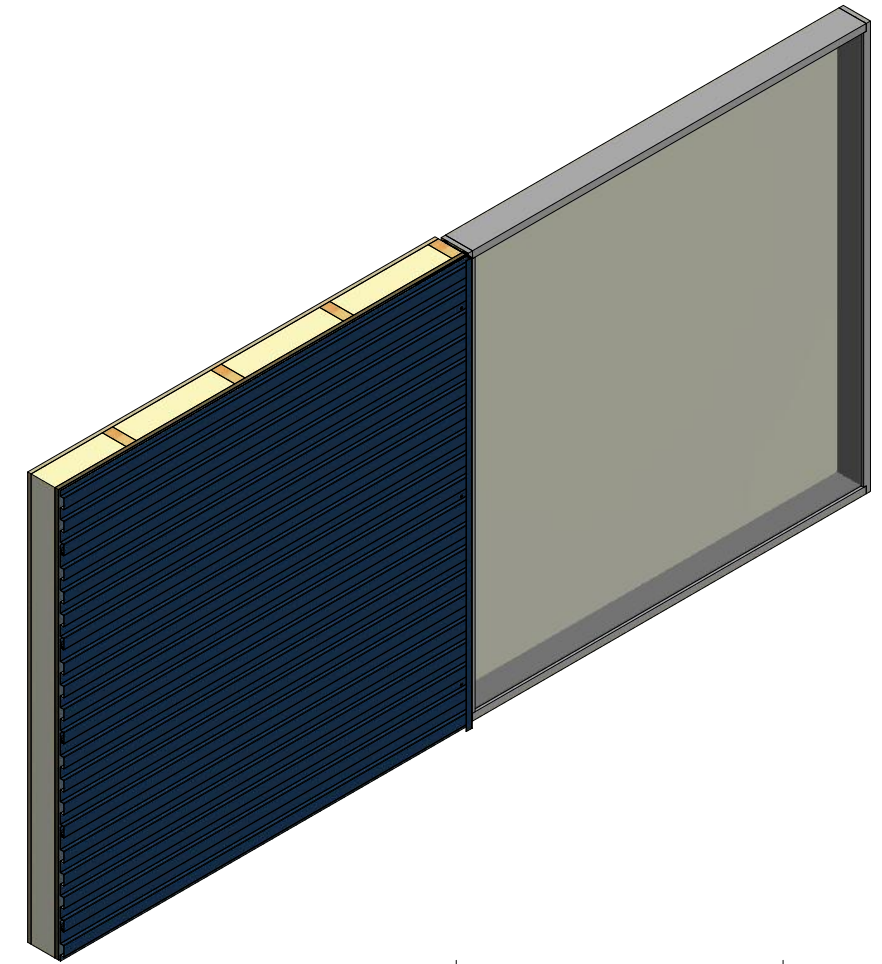


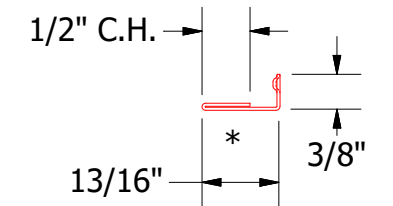
Horizontal Panel - Alternate



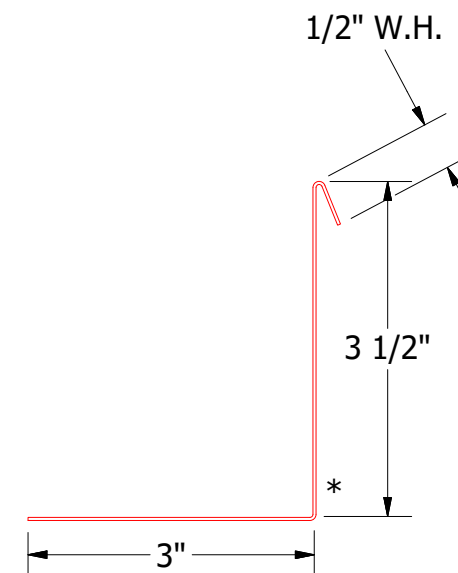
- Insulation
- Water and Air Resistive Barrier
- Interior Finish
- Metafor Panel
- Water and Air Resistive Barrier
- 1/2" Plywood (min.)
- Membrane Strip Over Snap J Channel
- Angle Trim With Return
- Snap J Channel
- #10 x 1" Wafer Head Screw
- Butyl Tape
- Angle Trim
- Backer Rod and Sealant
- Window



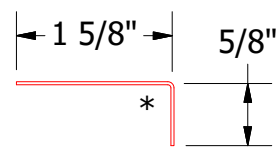
MFA039 - Snap J Base



UNS078 - Snap J Cover



MFA683 - Angle Trim With Return



MFA680 - Angle Trim

Note: * denotes color side.



TITLE		Metafor Jamb Alt Detail	
DWG. NO.	DR	MBP	DATE 7/8/2016
MATERIAL	APP	DAS	DATE 7/27/16
REV. NO.	DATE	DESCRIPTION OF REVISION	BY APP
			SH. SIZE B SCALE X:X