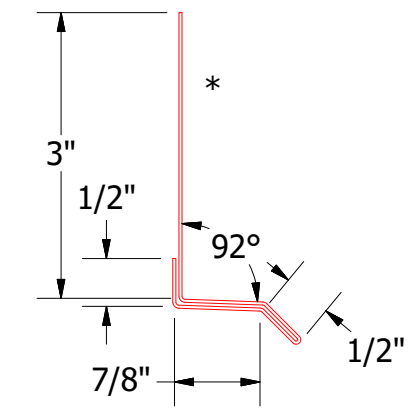
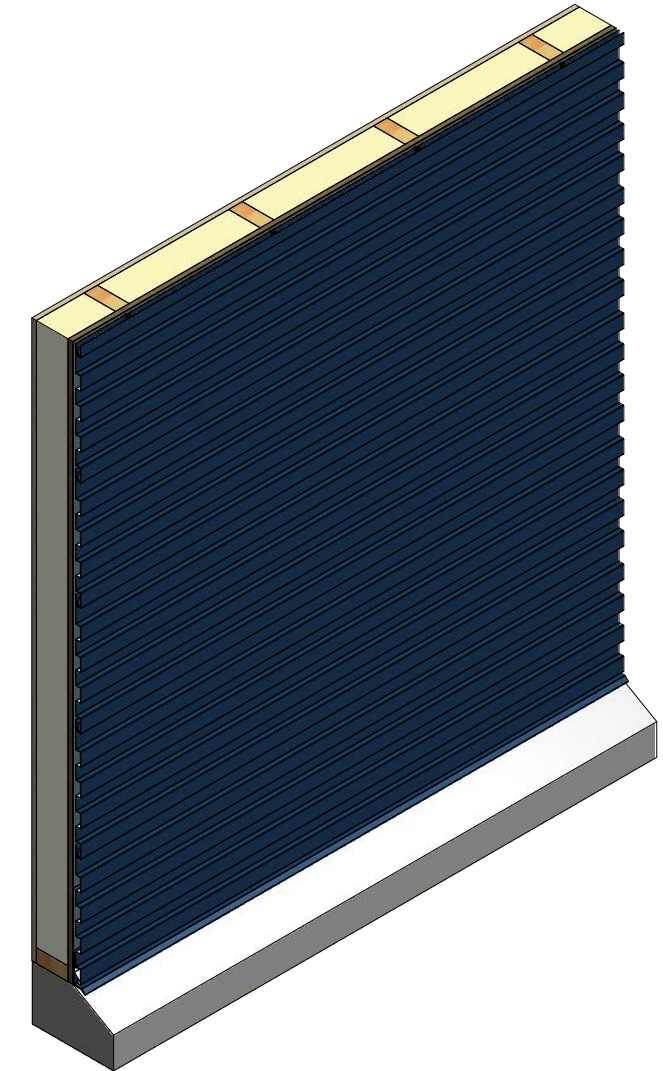
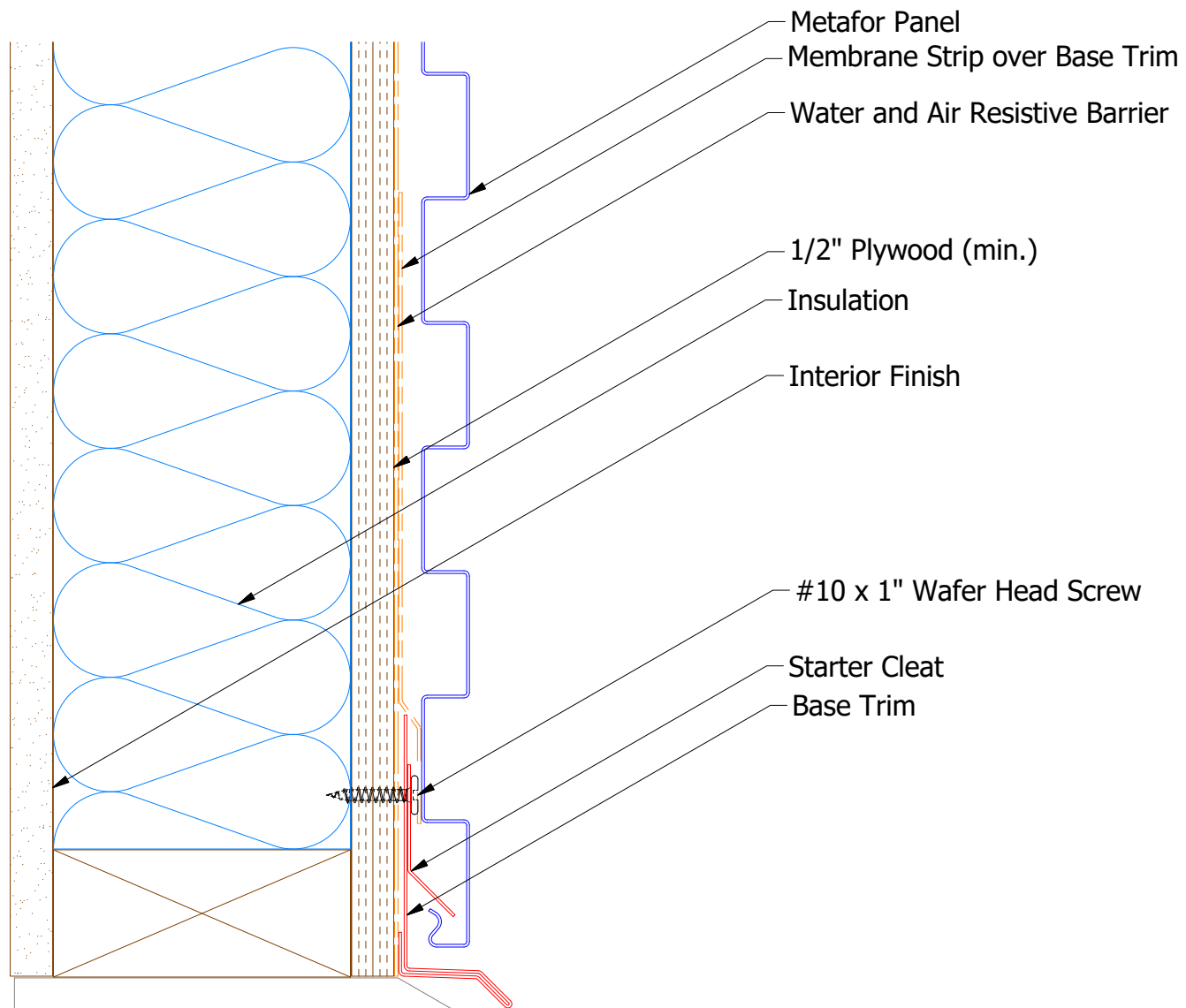
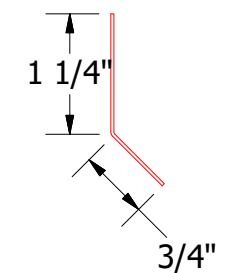


Horizontal Panel



MFA661 - Base Trim



MFA995 - Starter Cleat

Note: * denotes color side.

ATAS
 ATAS INTERNATIONAL, INC
 Allentown PA
 610-395-8445
 Mesa AZ
 480-558-7210

| | | | | | |
|----------|------|-------------------------|----|---------------------|----------------------|
| TITLE | | | | Metafor Base Detail | |
| DWG. NO. | | DR MBP | | DATE 7/7/2016 | |
| MATERIAL | | APP DAS | | DATE 7/27/16 | |
| REV. NO. | DATE | DESCRIPTION OF REVISION | BY | APP | SH. SIZE B SCALE X:X |