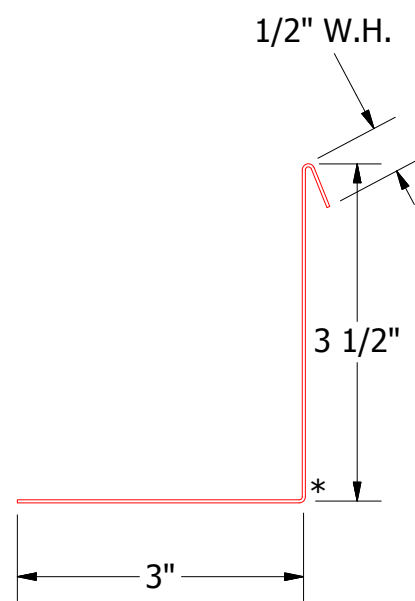
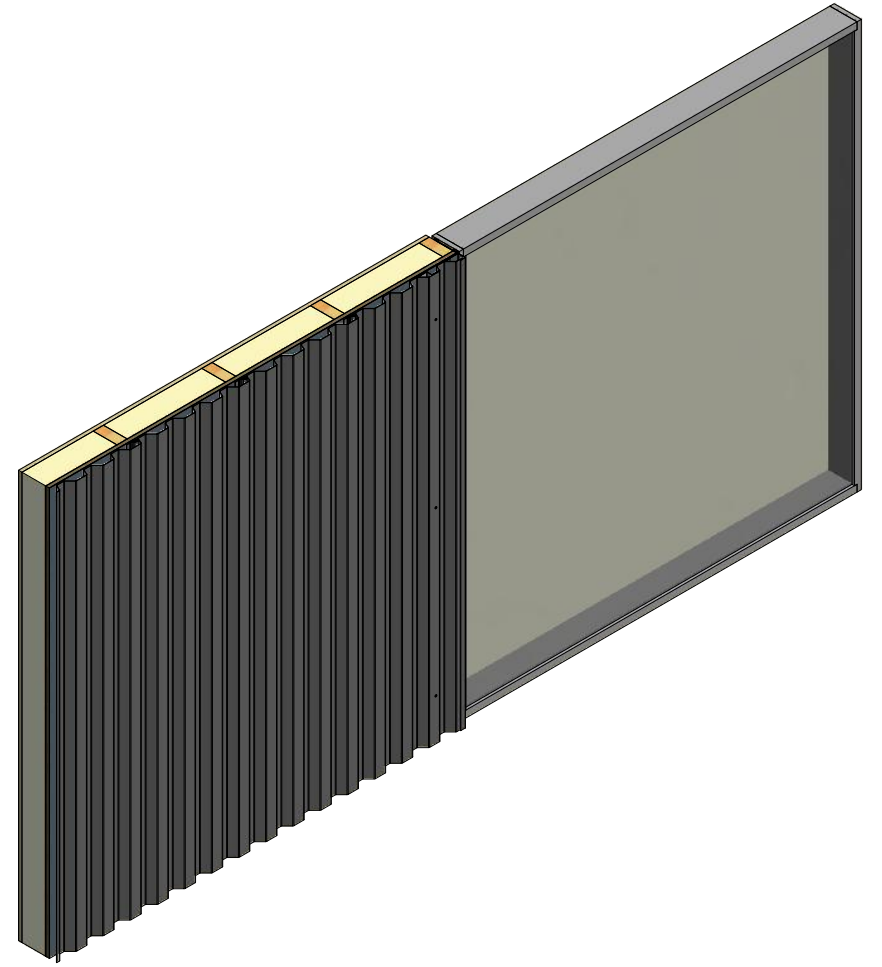
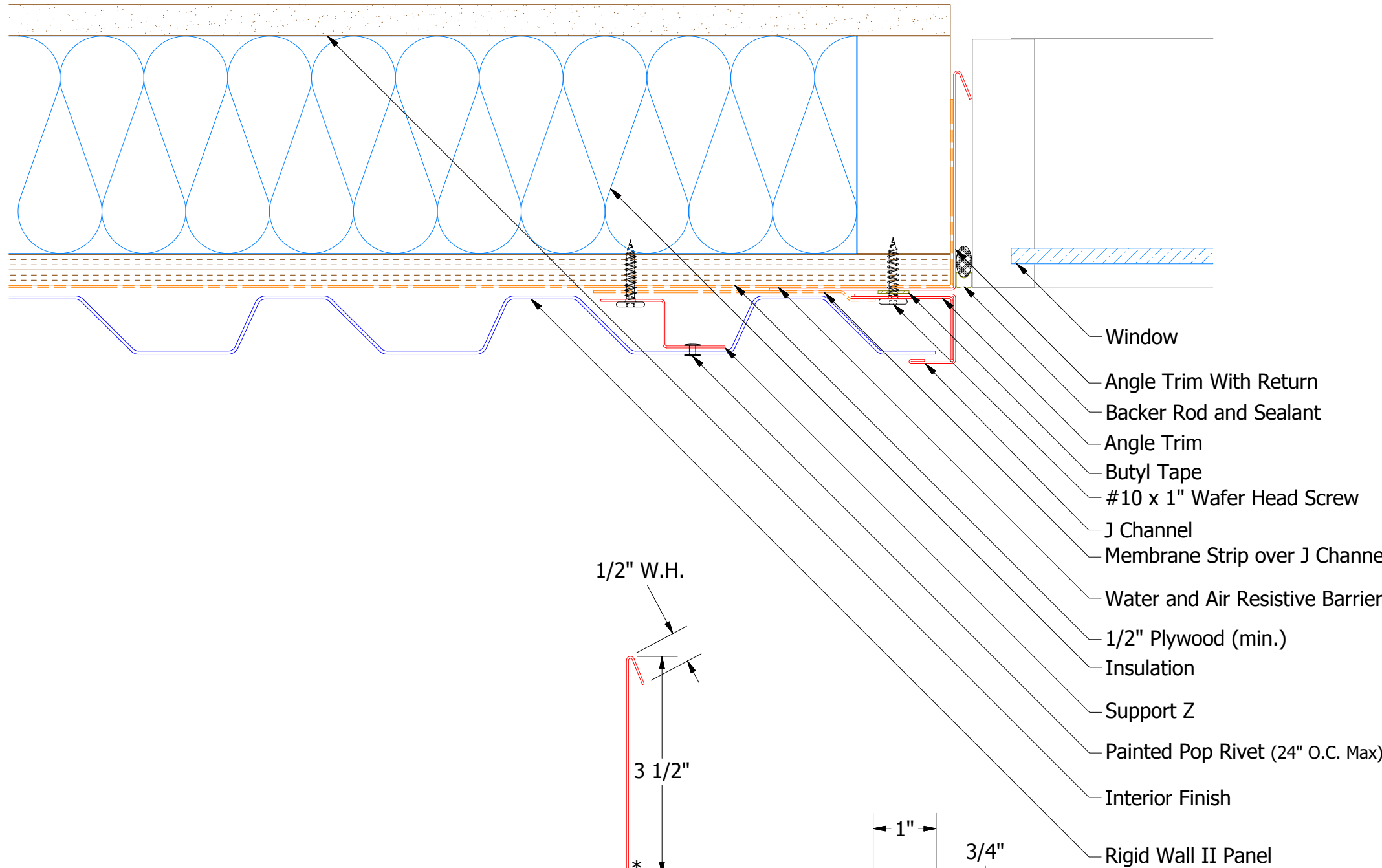
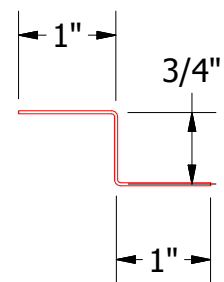


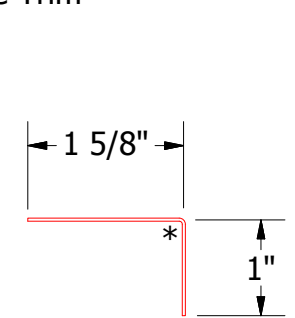
# Vertical Panel



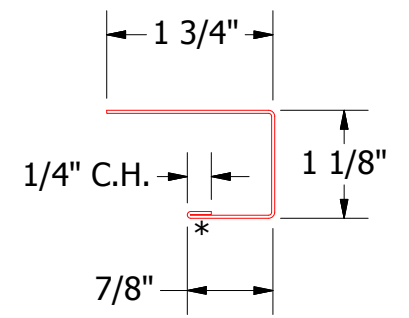
MCA683 - Angle Trim Without Return



MCA681 - Support Z



MCA680 - Angle Trim



MCA118 - J Channel

REV. NO.	DATE	DESCRIPTION OF REVISION	BY	APP	TITLE	DR	DATE
					Rigid Wall II Jamb Detail	DMR	7/11/2016
						DAS	7/25/16
						SH. SIZE	B
						SCALE	X:X

**ATAS** ATAS INTERNATIONAL, INC  
 Allentown PA  
 610-395-8445  
 Mesa AZ  
 480-558-7210