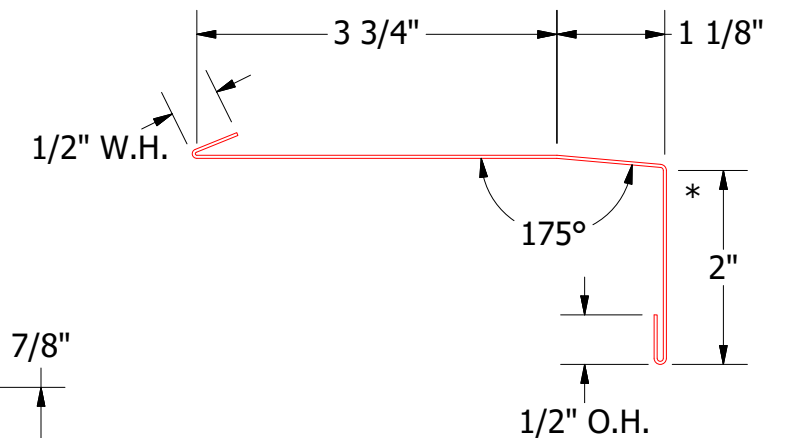
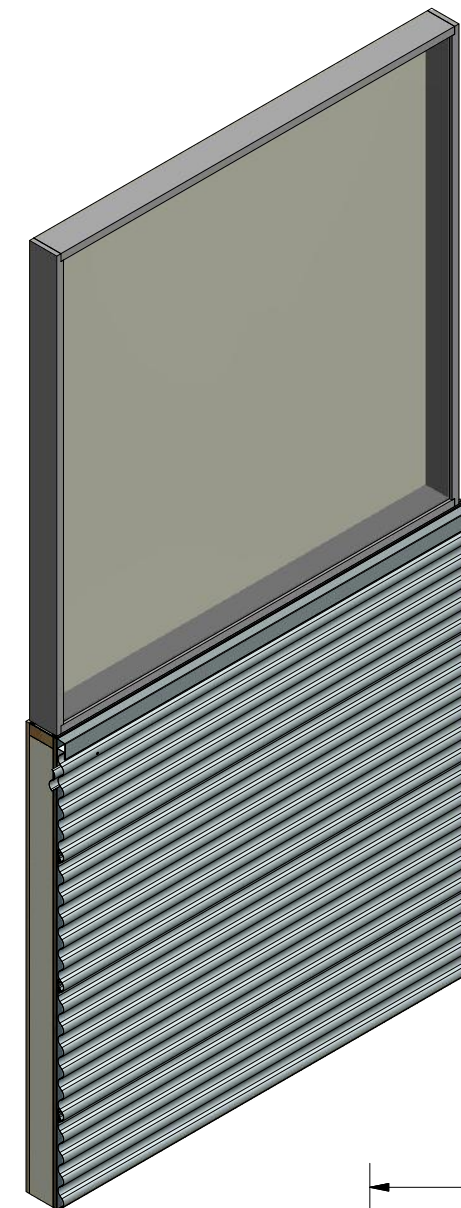
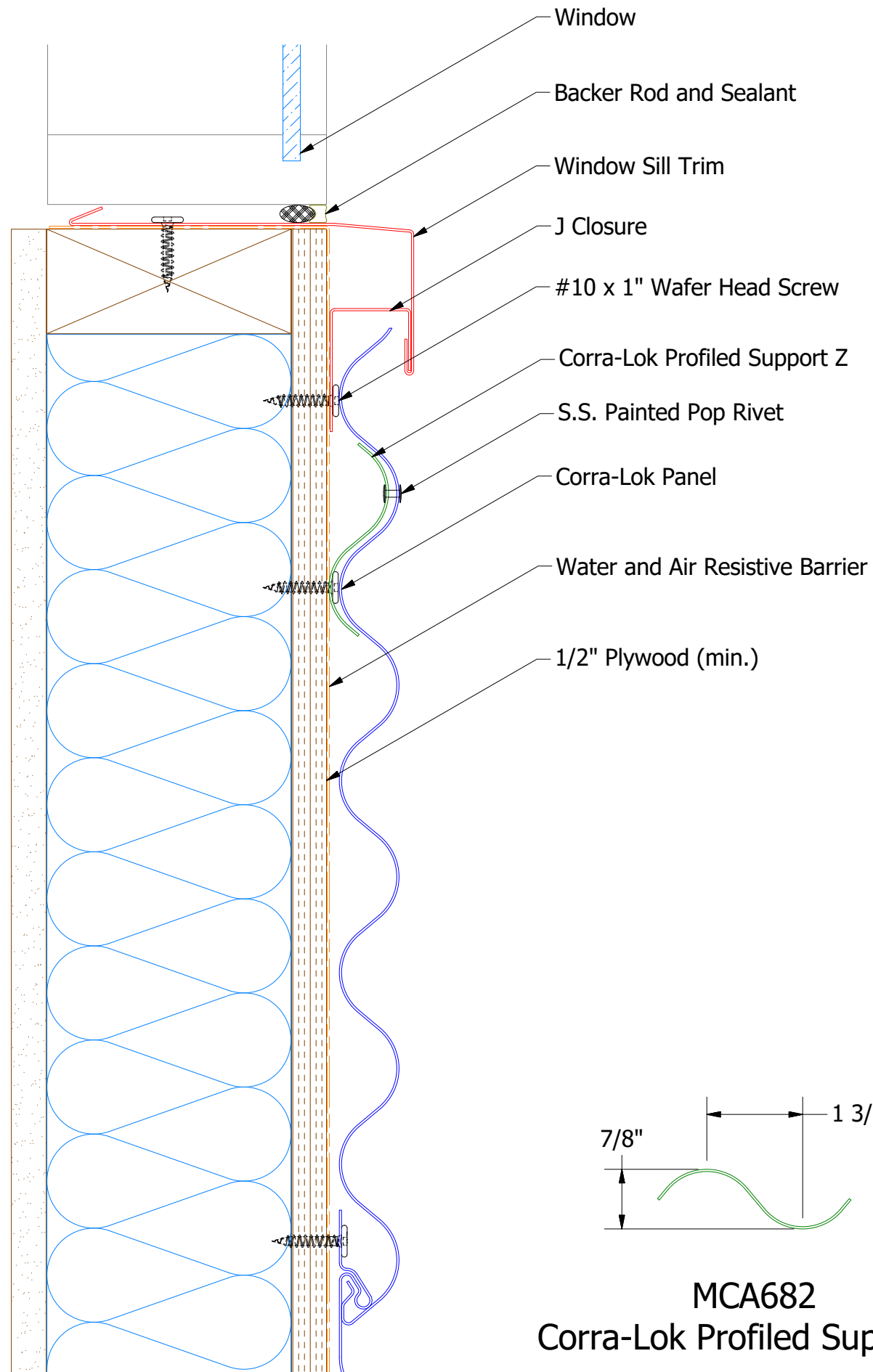
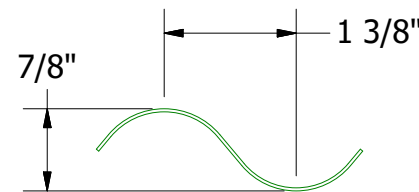


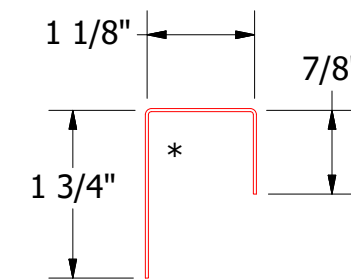
Horizontal Panel



MCA670 - Window Sill Trim



**MCA682
 Corra-Lok Profiled Support Z**



MCA270 - J Closure

ATAS ATAS INTERNATIONAL, INC
 Allentown PA
 610-395-8445
 Mesa AZ
 480-558-7210

TITLE		Corra-Lok Window Sill Detail	
DWG. NO.	DR	DATE	6/22/2016
1	DMR	DATE	7/21/16
REV. NO.	DATE	DESCRIPTION OF REVISION	BY APP
1	02/25/2020	Replaced Support Z with Corra-Lok Profiled Support Z	DMR
MATERIAL		SH. SIZE	B
		SCALE	X:X

Note: * denotes color side.