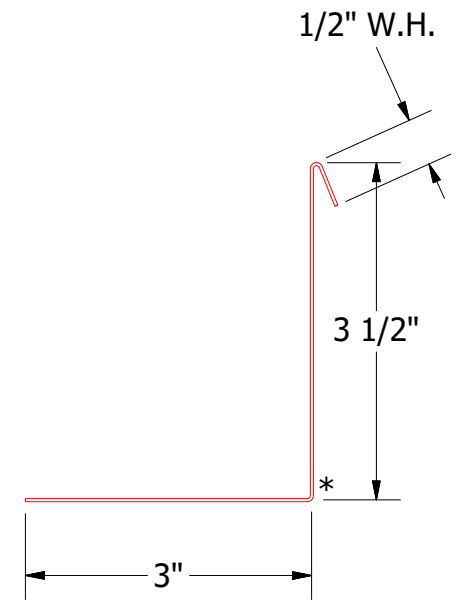
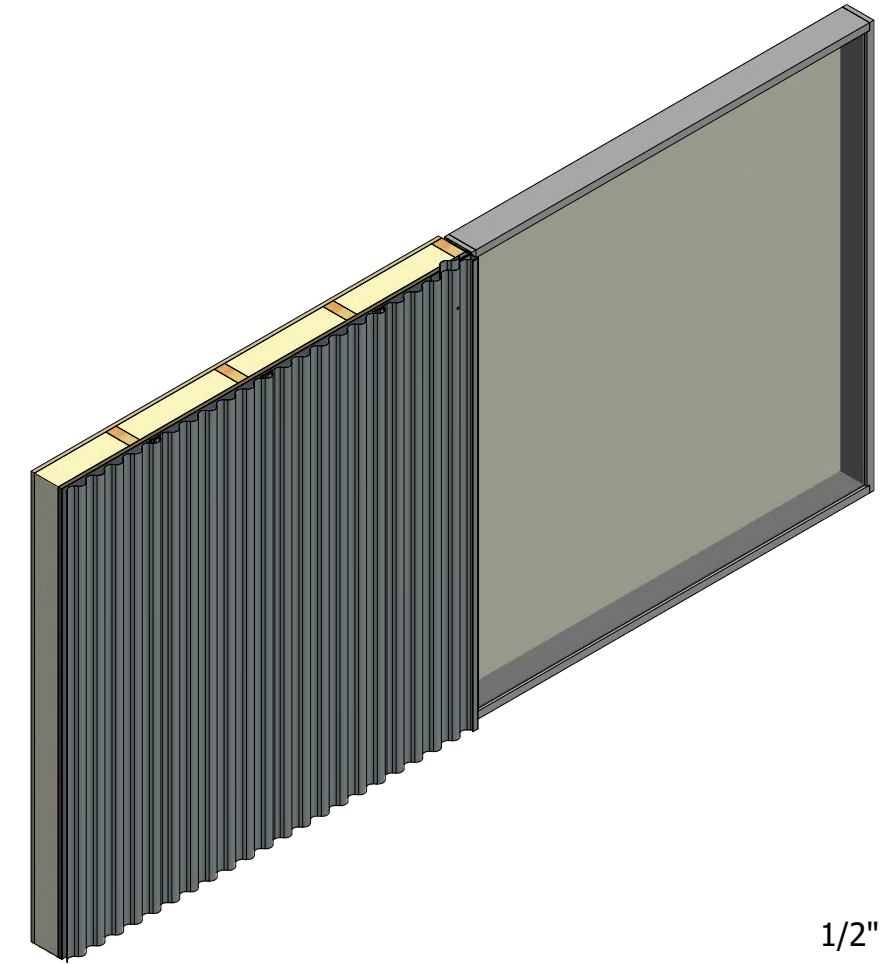
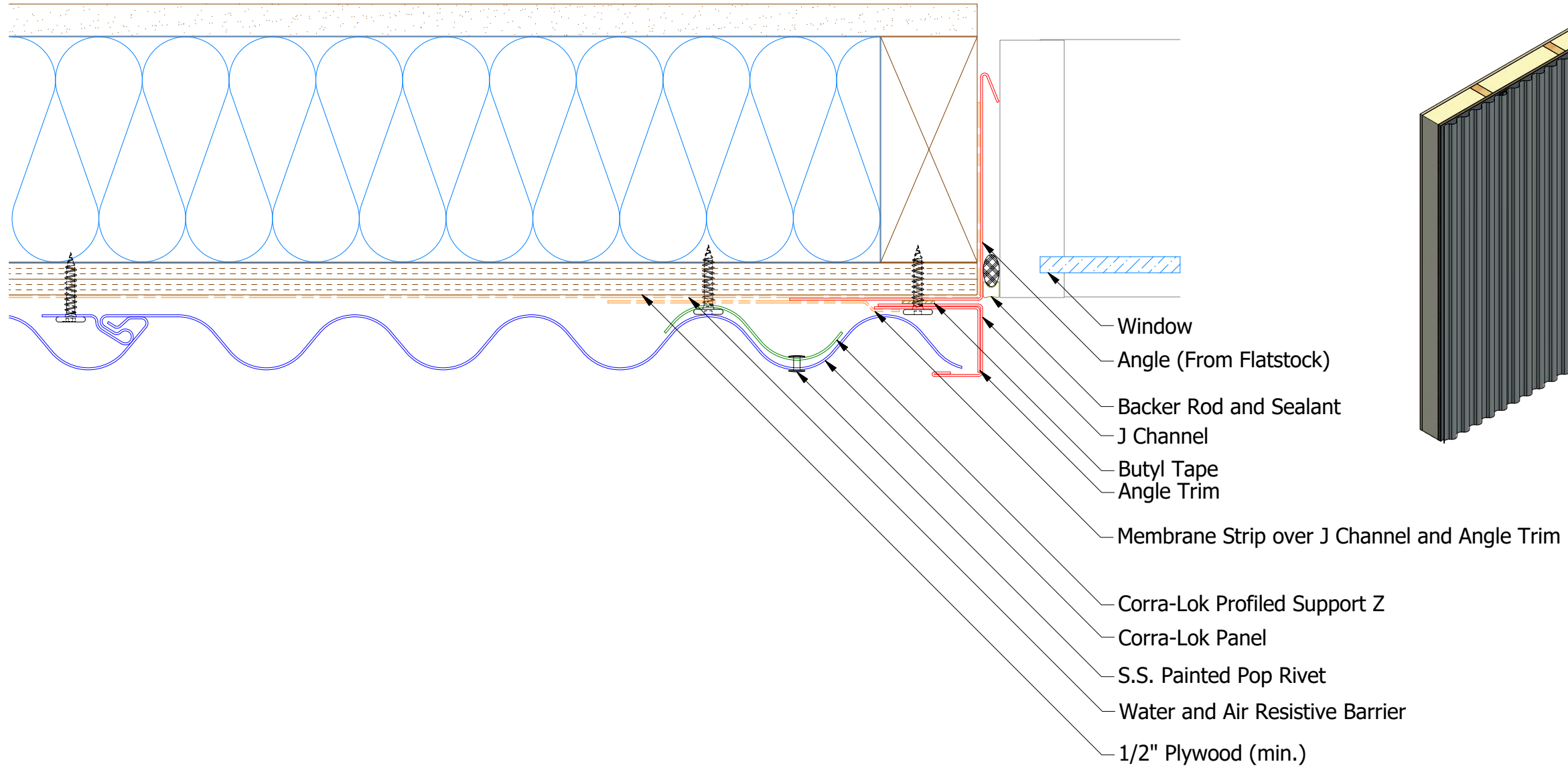
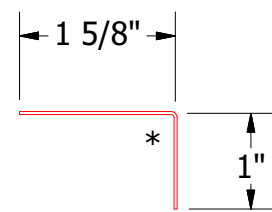


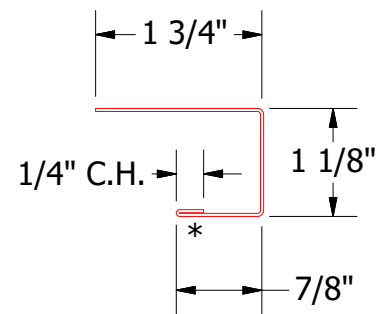
Vertical Panel



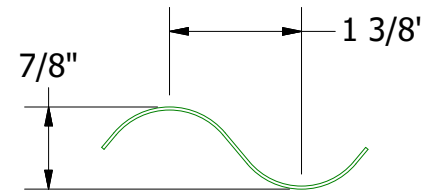
MCA683 - Angle Trim With Return



MCA680 - Angle Trim



MCA118 - J Channel



MCA682
Corra-Lok Profiled Support Z

		ATAS INTERNATIONAL, INC Allentown PA 610-395-8445 Mesa AZ 480-558-7210	
TITLE Corra-Lok Jamb Detail			
DWG. NO. DMR	DR DMR	DATE 6/20/2016	APP DAS
REV. NO. 1	DATE 2/25/20	DESCRIPTION OF REVISION Replaced Support Z with Corra-Lok Profiled Support Z	BY DMR
SH. SIZE B	SCALE X:X	DATE 7/21/16	APP DAS

Note: * denotes color side.

REV. NO.	DATE	DESCRIPTION OF REVISION	BY	APP
1	2/25/20	Replaced Support Z with Corra-Lok Profiled Support Z	DMR	