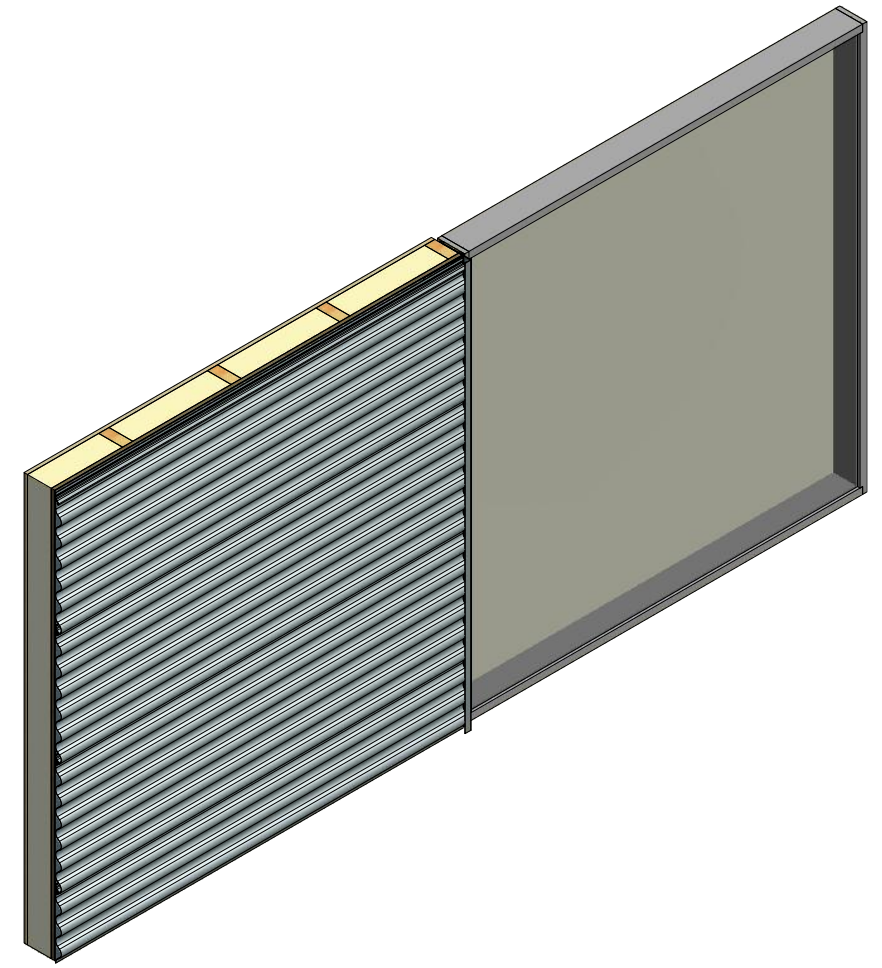
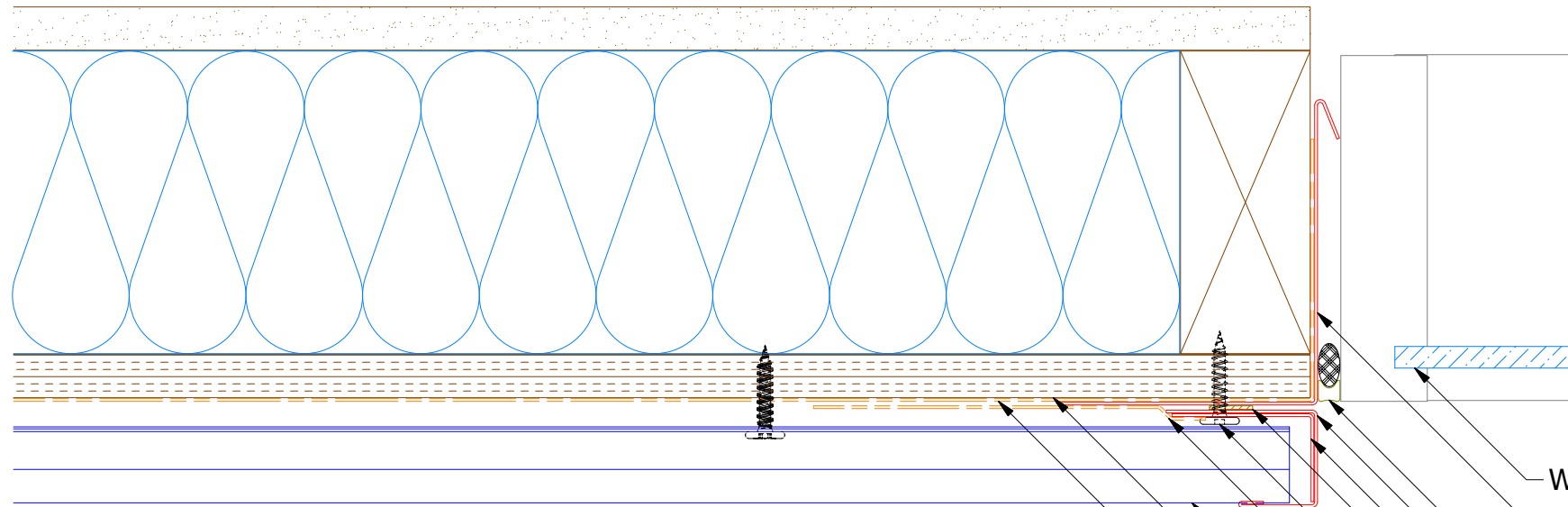
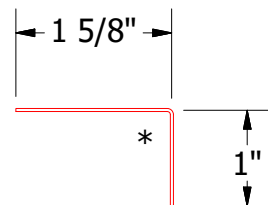


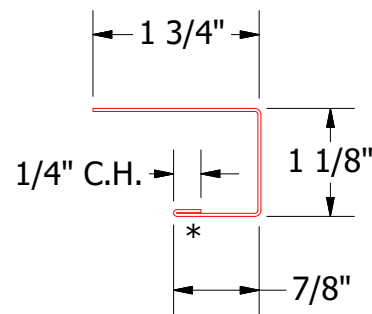
Horizontal Panel



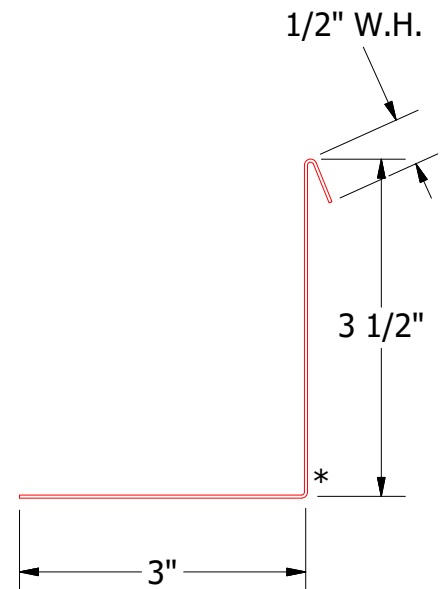
- Window
- Angle (From Flatstock)
- Backer Rod and Sealant
- J Channel
- Angle Trim
- Butyl Tape
- #10 x 1" Wafer Head Screw
- Membrane Strip over J Channel and Angle Trim
- Corra-Lok Panel
- 1/2" Plywood (min.)
- Water and Air Resistive Barrier



MCA680 - Angle Trim



MCA118 - J Channel



MCA683 - Angle Trim With Return

Note: * denotes color side.

				ATAS INTERNATIONAL, INC Allentown PA 610-395-8445 Mesa AZ 480-558-7210	
TITLE				Corra-Lok Jamb Detail	
REV. NO.		DATE	DESCRIPTION OF REVISION	BY	APP
1		2/25/20	Replaced Support Z with Corra-Lok Profiled Support Z	DMR	
DR		DMR	DATE	6/20/2016	
APP		DAS	DATE	7/21/16	
SH. SIZE		B	SCALE	X:X	