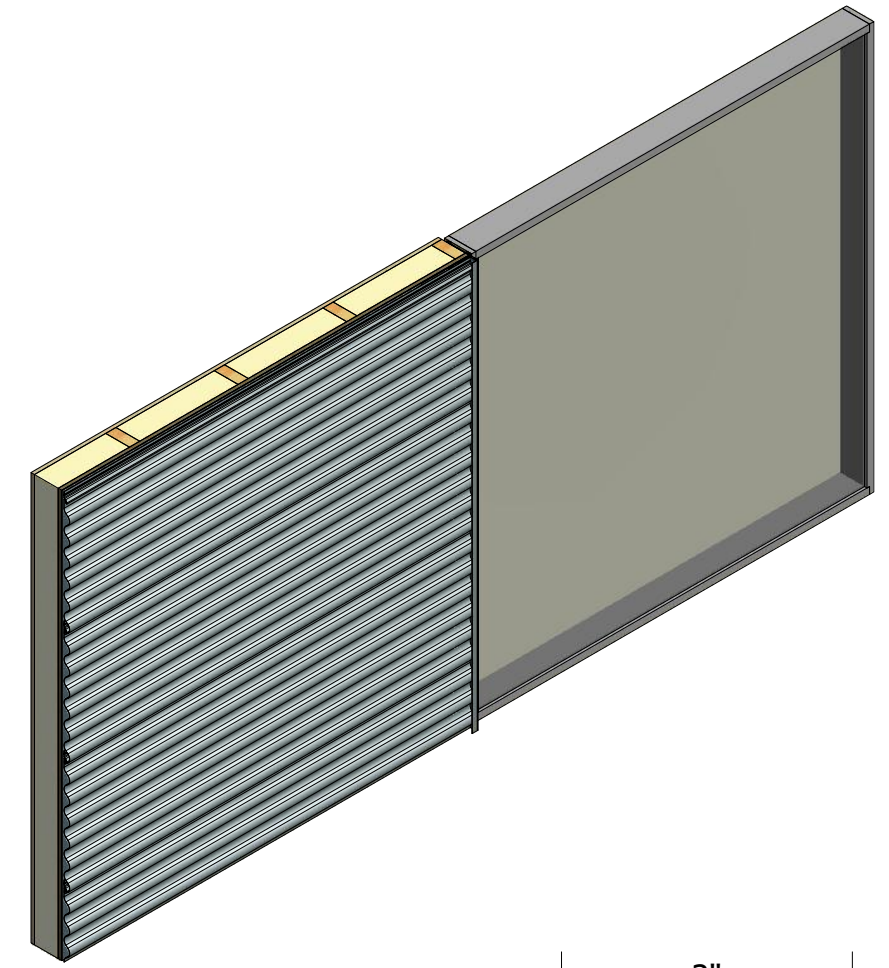
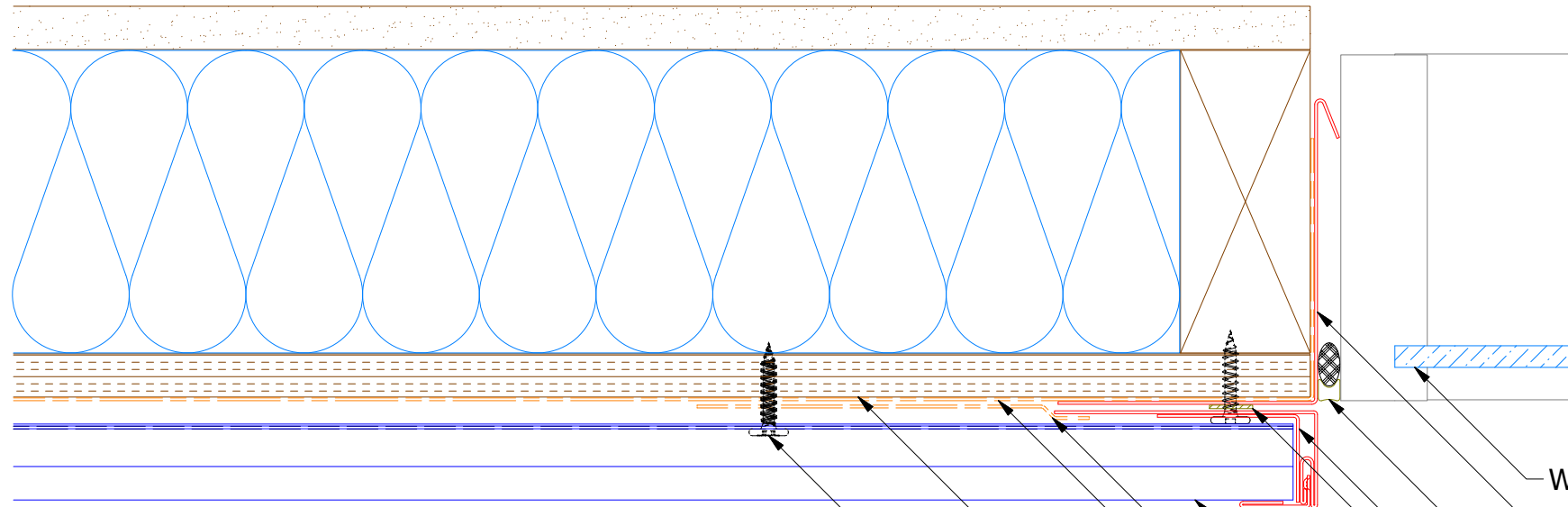
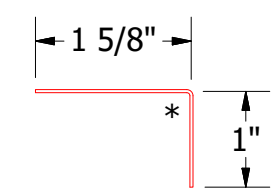


# Horizontal Panel - Alternate

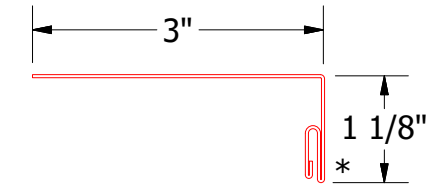


- Window
- Angle Trim With Return
- Backer Rod and Sealant
- Angle Trim
- Butyl Tape
- Snap J Channel

- Corra-Lok Panel
- Membrane Strip over Snap J Channel
- Water and Air Resistive Barrier
- 1/2" Plywood (min.)
- #10 x 1" Wafer Head Screw

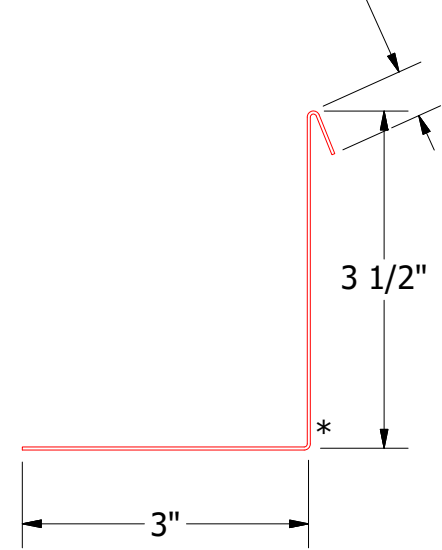


MCA280 - Angle Trim

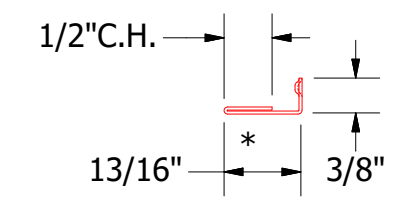


MCA119 - Snap J Base

1/2" W.H.



MCA683 - Angle Trim With Return



UNS078 - Snap J Cover

**Note:** \* denotes color side.

**ATAS** ATAS INTERNATIONAL, INC  
 Allentown PA  
 610-395-8445  
 Mesa AZ  
 480-558-7210

TITLE					Corra-Lok Jamb Alt Detail		
REV. NO.		DATE	DESCRIPTION OF REVISION	BY	APP	MATERIAL	
DR		DMR	DATE	6/20/2016		SH. SIZE	
APP		DAS	DATE	7/21/16		SCALE	
						B X:X	