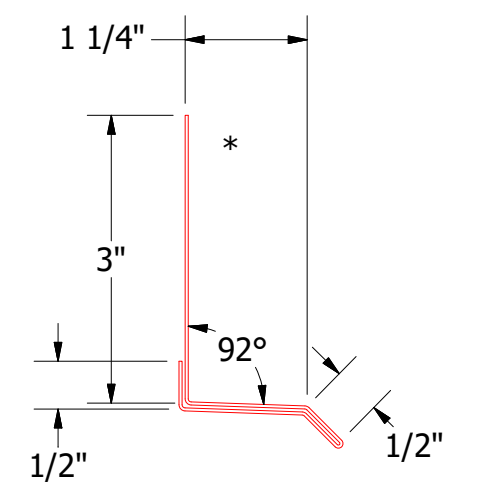
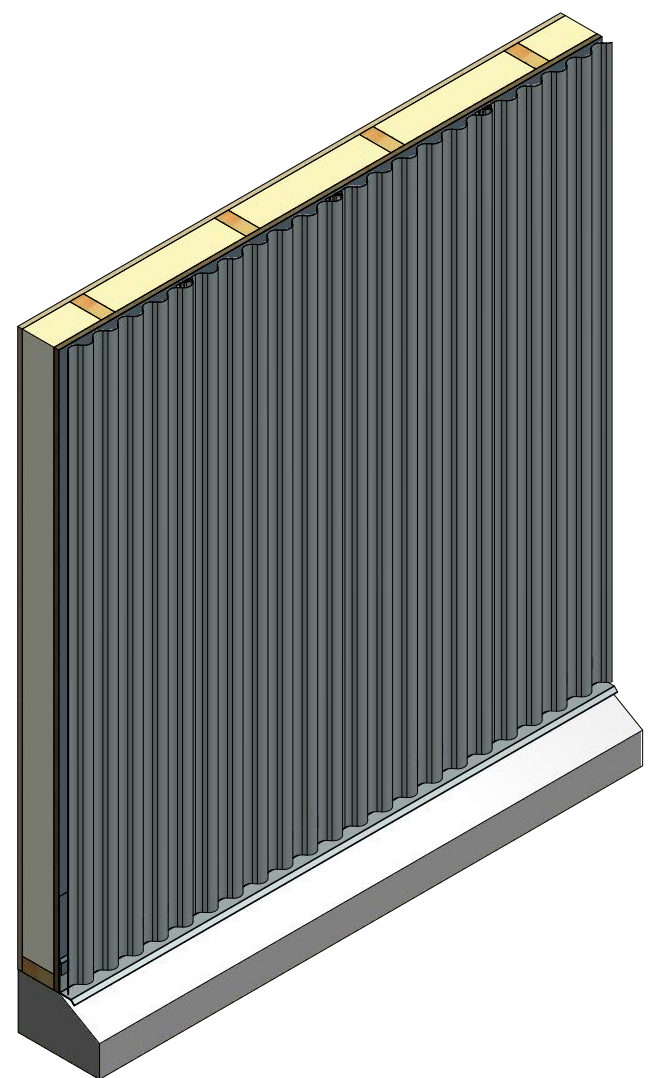
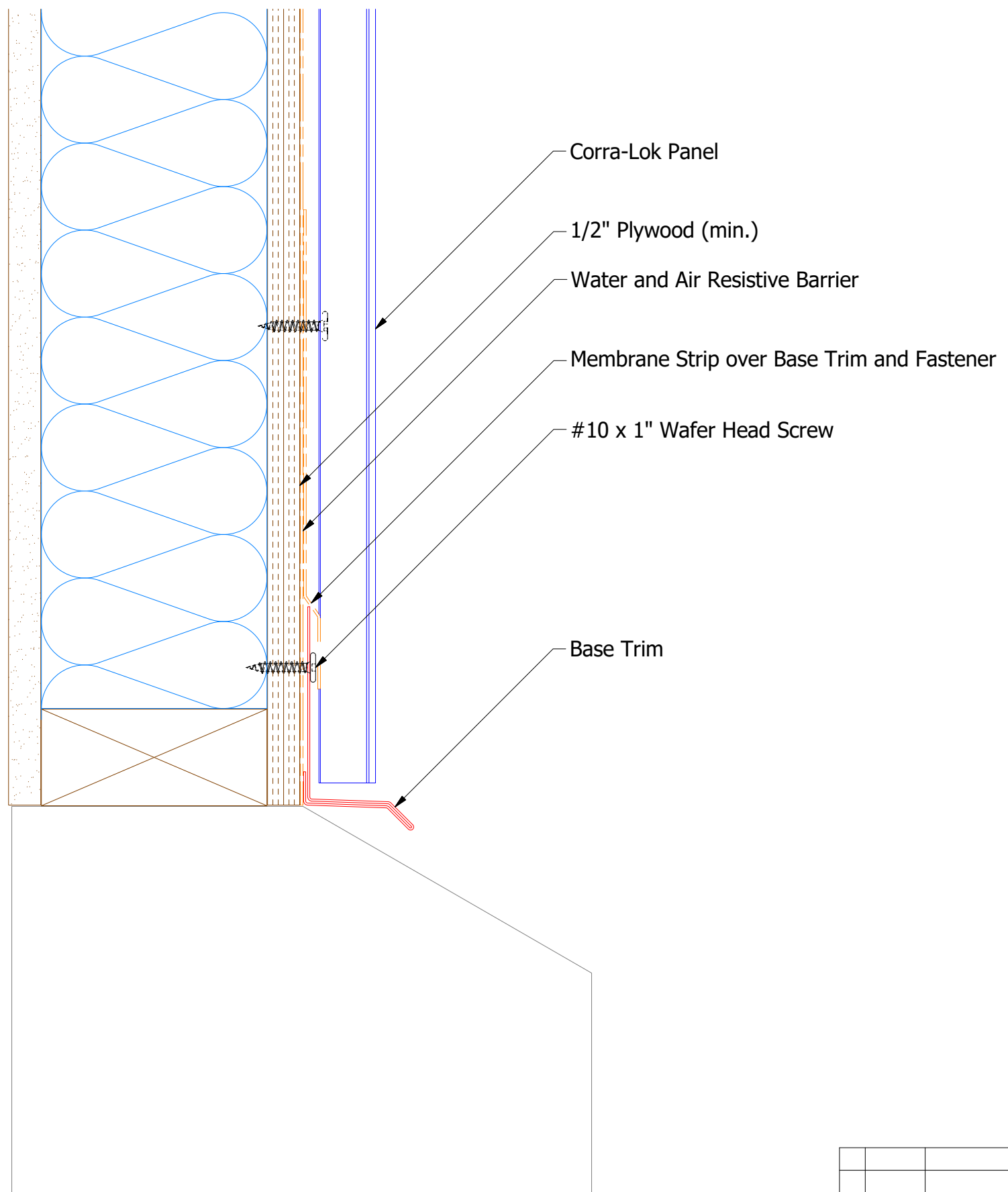


# Vertical Panel



**MCA661 - Base Trim**

Note: \* denotes color side.

**ATAS** ATAS INTERNATIONAL, INC  
 Allentown PA  
 610-395-8445  
 Mesa AZ  
 480-558-7210

TITLE				Corra-Lok Base Detail	
DWG. NO.		DR		DATE	
		DMR		6/16/2016	
MATERIAL		APP		DATE	
		DAS		7/21/16	
REV. NO.	DATE	DESCRIPTION OF REVISION	BY	APP	SCALE
					X:X