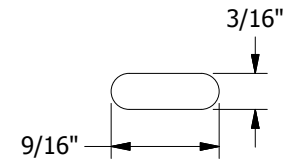
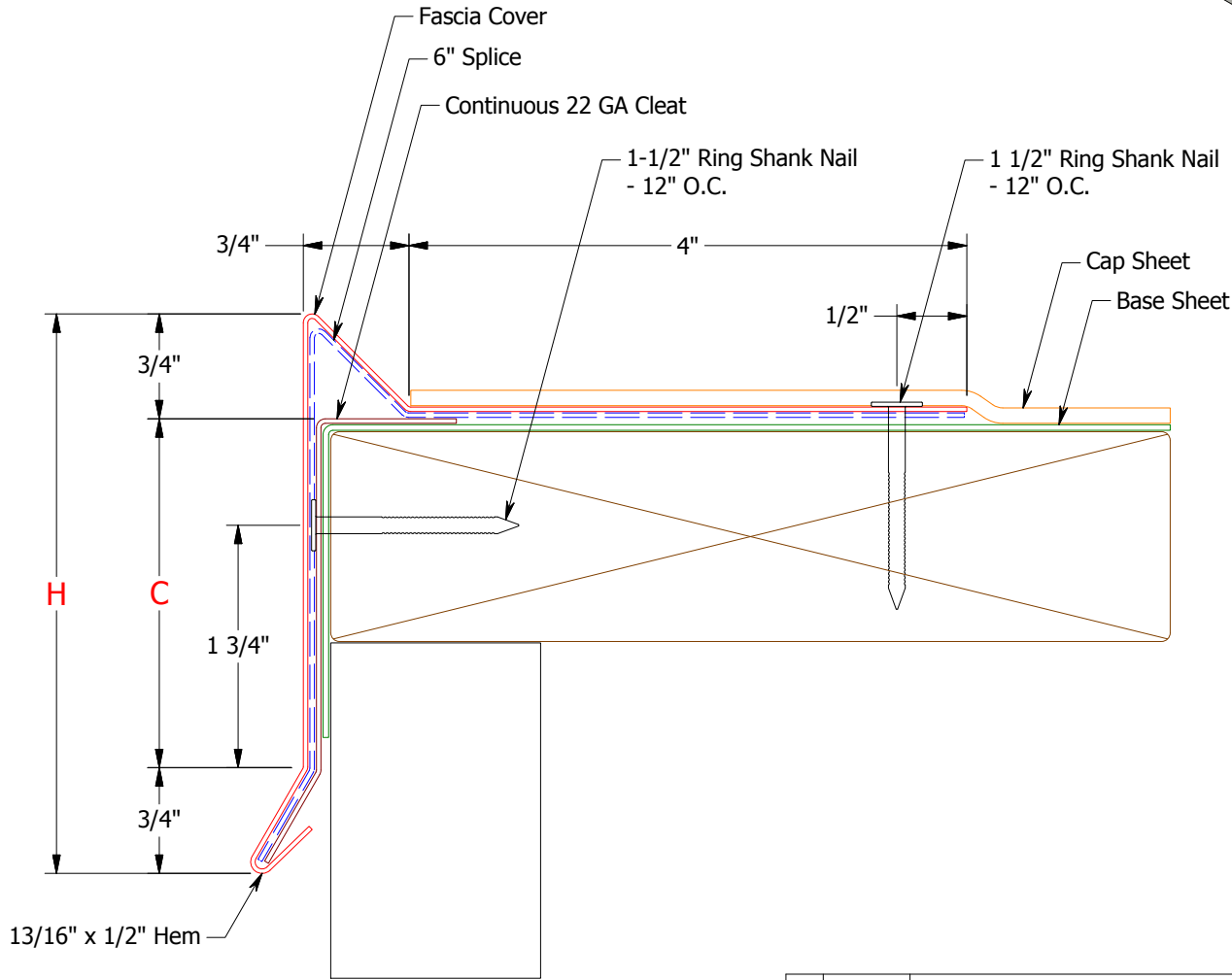
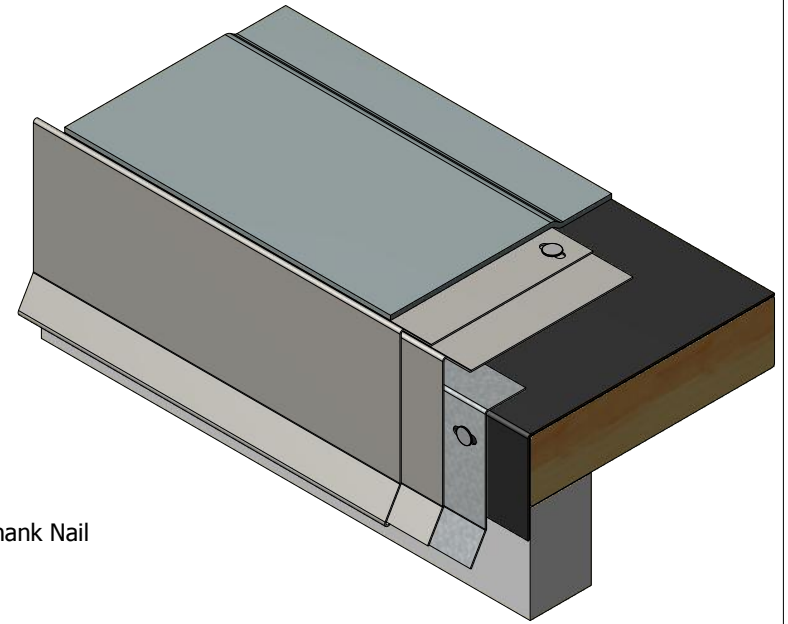


BOM per 12'		Standard Dimensions		Standard Materials	
Component	Quantity	Coverage (C)	Height (H)	Material	Available Materials
Fascia Cover	1	2-1/2"	4"	Pre-Finished Steel	24 GA, 22 GA
Splice	1	4"	5-1/2"	Stainless Steel	24 GA, 22 GA
Continuous 22 GA Cleat	1	5-1/2"	7"	Pre-Finished Alum.	.040, .050, .063
1 1/2" Ring Shank Nail	24	7"	8-1/2"	Mill Alum.	.040, .050, .063



Top and Side Face Slotting

Tested per ANSI/SPRI ES-1



ATAS INTERNATIONAL, INC
 Allentown PA
 610-395-8445
 Mesa AZ
 480-558-7210

TITLE
Gravel Stop Fascia Product Detail

REV. NO.	DATE	DESCRIPTION OF REVISION	BY	APP	DWG. NO.	DR	PJR	DATE	08-14-15
					MATERIAL	APP		DATE	
						SH. SIZE	A	SCALE	X:X